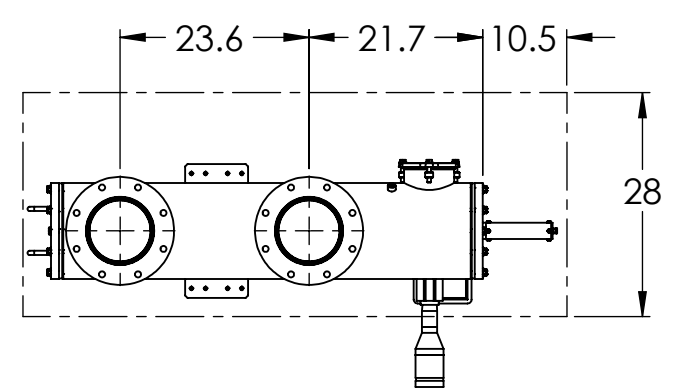
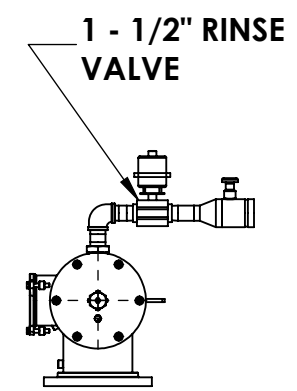
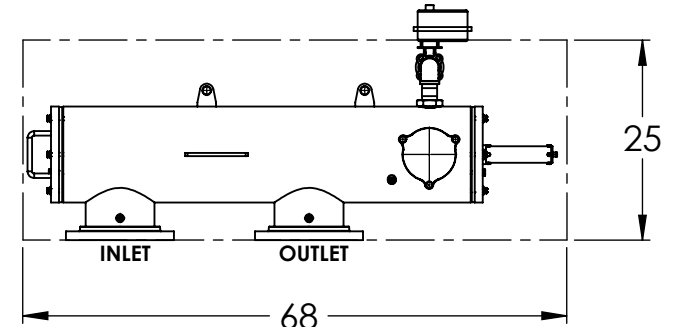
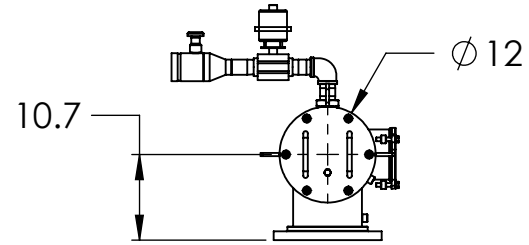
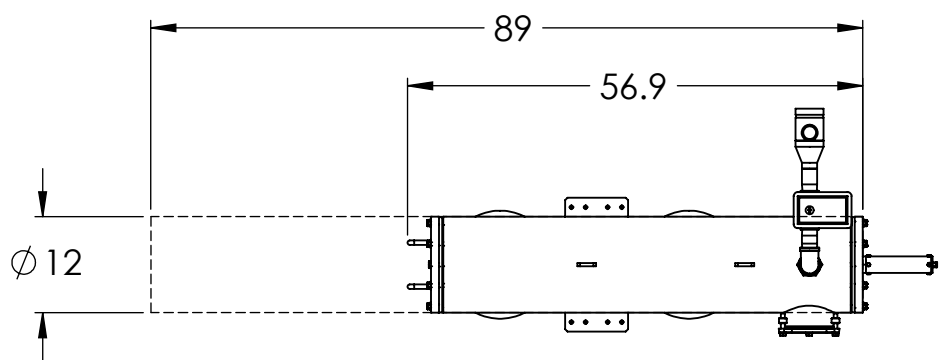


FREE SPACE REQUIRED FOR MAINTENANCE

FREE SPACE REQUIRED FOR INSTALLATION



TECHNICAL DATA

MAXIMUM FLOW RATE:	1000 G.P.M
AVAILABLE SCREEN SIZES:	10, 25, 50, 80, 100, 150, 200, 300, 400, 800, 1000, 1500 MICRON
OPEN SCREEN AREA STANDARD SCREEN:	413 SQ. INCHES
OPEN SCREEN AREA HIGH PERFORMANCE MULTI-LAYERED SINTERED SCREEN:	620 SQ. INCHES
MAXIMUM WORKING PRESSURE:	150 PSIG
MINIMUM INLET PRESSURE REQUIRED DURING RINSE CYCLE	30 PSIG
MAX. WORKING TEMPERATURE:	150°F
INLET/OUTLET FLANGES:	6" ASME B16.5 150# RF
DRAIN VALVE CONNECTION:	3" GROOVED
DRAIN HEADER SIZE:	3" MINIMUM
APPROXIMATE WEIGHT - DRY:	430 LBS.
APPROXIMATE SHIPPING WEIGHT:	520 LBS.
APPROXIMATE WEIGHT FULL OF WATER:	535 LBS.

RAIN BIRD RESERVES THE RIGHT TO MODIFY FILTER DIMENSIONS WITHOUT PRIOR NOTICE

A

PART NO.	EXPLANATION
XXXXXX-XX	PART NUMBER
	BASE DWG NO.
	MFG OPTION (SEE TABLE OF NOTE)
EXAMPLE: 652100-01	

NOTICE:
 THIS DRAWING EMBODIES A CONFIDENTIAL PROPRIETARY DESIGN ORIGINATED BY RAIN BIRD CORPORATION. ALL DESIGN, MANUFACTURING, USE AND SALE RIGHTS REGARDING THE SAME ARE EXPRESSLY RESERVED. IT IS SUBMITTED UNDER A CONFIDENTIAL RELATIONSHIP FOR A SPECIFIC PURPOSE AND THE RECIPIENT AGREES BY ACCEPTING THIS DRAWING NOT TO SUPPLY OR DISCLOSE ANY INFORMATION REGARDING IT TO ANY UNAUTHORIZED PERSON, OR TO INCORPORATE IN OTHER PROJECTS ANY SPECIAL FEATURE UNIQUE TO THIS DESIGN. ALL COPYRIGHT AND PATENT RIGHTS HERETO ARE EXPRESSLY RESERVED.

1 INCH
DO NOT SCALE DRAWING
 LAST MODIFIED IN: **SOLIDWORKS 2017**
 FILENAME: HO-I-08-PM-C.SLDDRW

UNLESS OTHERWISE SPECIFIED:
 .X = ±.030"
 .XX = ±.015"
 .XXX = ±.005"
 .XXXX = ±.002"
 X° = ±1°
 X.X° = ±0.5°

DRAWN: AKTIS
 DESIGNED: AKTIS
 SUPERCEDES: NONE
 SCALE: 1:24 & NOTED
 INTERPRET PER ASME AND RAIN BIRD SPEC# 232397

DATE: 07-07-2020
 DATE: 07-07-2020
RAIN BIRD
 TITLE: **AUTOMATIC SELF CLEANING FILTER - HO-I-08-PM-C**

PHASE: PRELIMINARY DESIGN	
DESIGN CONTROL	FIRST USED ON
SBU	PLANT
PROJ. NO.	PROJ. NAME
A	A.01
SIZE	DWG. NO. REV.
SHEET 1 OF 1	

4

3

2

1

D

C

B

D

C

B

A