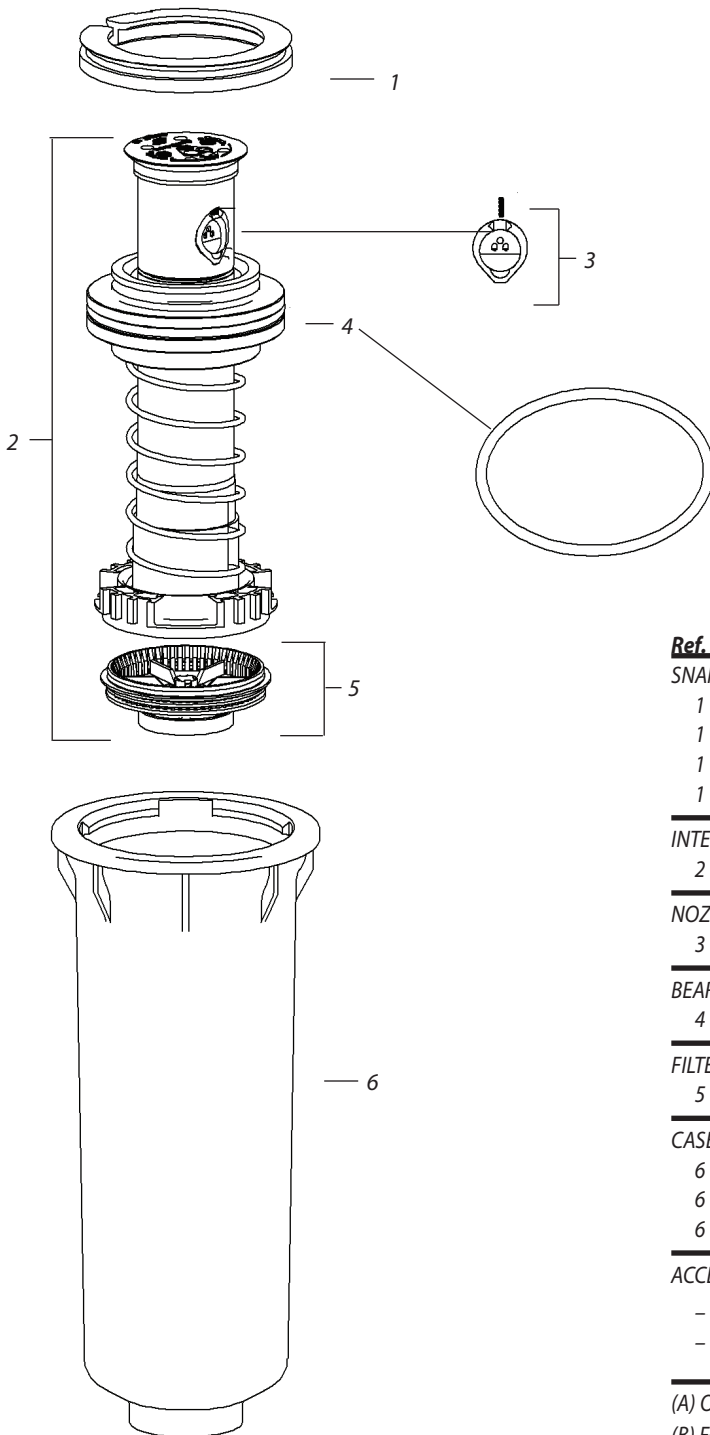


Ref.	Part Description	Qty.	Part No.
1	EAGLE'S NEST Rotor Adaptors	1	211579
2	Screw, 3/4" Self Tapping #10 Thd.	3	(211487)
3	Cover, Eagle's Nest	1	(211482)
4	Snap Ring, Eagle's Nest 47/51	1	21113301
5	Adapter, Eagle's Nest	1	—
6	Seal, U-cup (Red)	1	(211239)

Note: Part numbers enclosed in brackets () are not available individually, but may be sold in assemblies or kits.



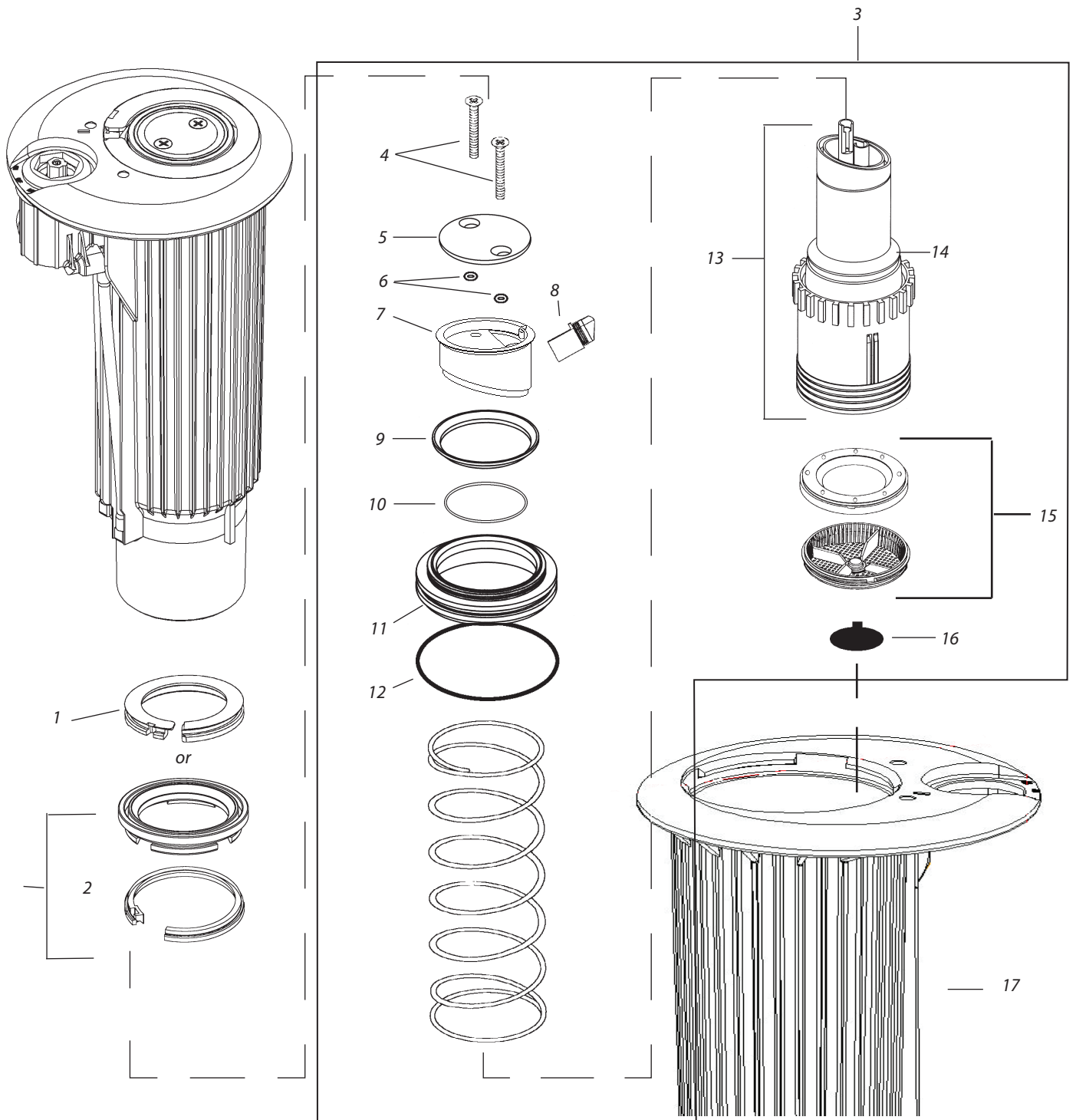
Ref.	Part Description	Qty.	All Models
SNAP RINGS			
1	Snap Cover, Black	1	21192101
1	Snap Cover, Yellow	1	21192102
1	Snap Cover, White	1	21192103
1	Snap Cover, Purple	1	21192104
INTERNAL ASSEMBLY			
2	Internal Assembly (Does not include nozzle)(A)(B)	1	21291101
NOZZLES			
3	Nozzle Kit (C)	1	212913xx
BEARING ASSEMBLY			
4	Bearing Guide O-Ring	1	211242
FILTER ASSEMBLY			
5	Screen and Check Valve Assy Kit	1	212914
CASE			
6	Case (NPT)	1	(21148901)
6	Case (BSP)	1	(21148902)
6	Case (ACME)	1	21148903
ACCESSORIES/TOOLS			
-	Support Tool	1	232693S
-	Flat-Head Rotor Tool	1	Y05100

(A) Order nozzle kit if necessary - Part#212913xx

(B) For Non-potable applications use Standard Part and Purple Snap Ring - Part #21192104.

(C) Specify Nozzle Kit when Ordering - XX = 02 (Includes 18M, 26M, 30M and 36M Nozzles); 22 (Includes 18S, 22S and 26S Nozzles); 36 (Includes 30S, 36S, and 40 Nozzles); 48 (Includes 44, 48, and 54 Nozzles).

Note: Part numbers enclosed in brackets () are not available individually, but may be sold in assemblies or kits.



Note: Part numbers enclosed in brackets () are not available individually, but may be sold in assemblies or kits.

EAGLE™ 500 INTERNAL ASSEMBLY

Ref.	Part Description	Qty.	500-E/I/C	500-S/H	500B
SNAP RINGS					
1	Snap Cover	1	see chart	see chart	see chart
2	Rubber Cover Kit	1	(212551)	(212551)	(211355)
INTERNAL ASSEMBLY					
3	Internal Assembly (A)	1	214751XX	211580xx	(B)211580xx
COVER ASSEMBLY					
4	Self-Tapping Screw	2	210974	210974	210974
5	Housing Cover	1	(211282)	(211282)	(211282)
6	Screw O-Ring	2	211236	211236	211236
NOZZLES					
7	Nozzle Housing - Black (C)	1	21035602	21035602	21035602
8	Range Nozzle Assembly (A)	1	213500xx	213500xx	213500xx
9	Retract Seal	1	210354	210354	210354
15	Stator / Screen Kit	1	21040301	21040301	21040301
16	Seal-a-Matic™ Sreen Assy	1	—	—	211292
BEARING / RISER-MOTOR ASSEMBLY					
10	Nozzle Housing O-Ring	1	210366	210366	210366
11	Bearing Guide Assy, STD	1	211147	—	—
11	Bearing Guide Assy, LO-FLOW (D)	1	—	211263	211263
12	Bearing Guide O-Ring	1	211147	211147	211147
13	Riser Motor Assembly	1	21470000	21470000	21470000
14	Pop-up Seal (White)	1	210399	210399	210399
17	CASE ASSEMBLY See Catalog No. 010				

- (A) Specify Nozzle Size when ordering. Available in # 51, 52, 53, 54.
- (B) Also requires Seal-a-Matic™ Sreen Assy Part # 211292
- (C) For non-potable applications use standard part and purple snap ring, part # 21192104
- (D) The LO-FLOW Bearing Guide #211263 may also be used on the 500 Series Electric rotor
- (E) For smooth case rotors use part # 211602

Ref.	KITS & Accessories	Qty.	P/N
1	Snap-Cover, Black		21192101
1	Snap-Cover, Yellow		21192102
1	Snap-Cover, White		21192103
1	Snap-Cover, Purple (Non-Potable)		21192104
5	Cover, Yardage Marker Blank (Black)		(21175201)
-	Sod Cup Kit		#212613

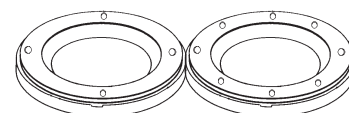
Stator / Poppet Configurations

Color	Number	Electric Pressure Setting psi (bars)				Hyd, SAM, B
		60 (4,1)	70 (4,8)	80 (5,5)	100 (6,9)	B
Black	#51	S4	S4	S4	S4	S4
Beige	#52	S4	S4	S4	S4	S4
Gray	#53	S4	S4	S4	S4	S4
Red	#54	S8	S8	S8	S8	S8

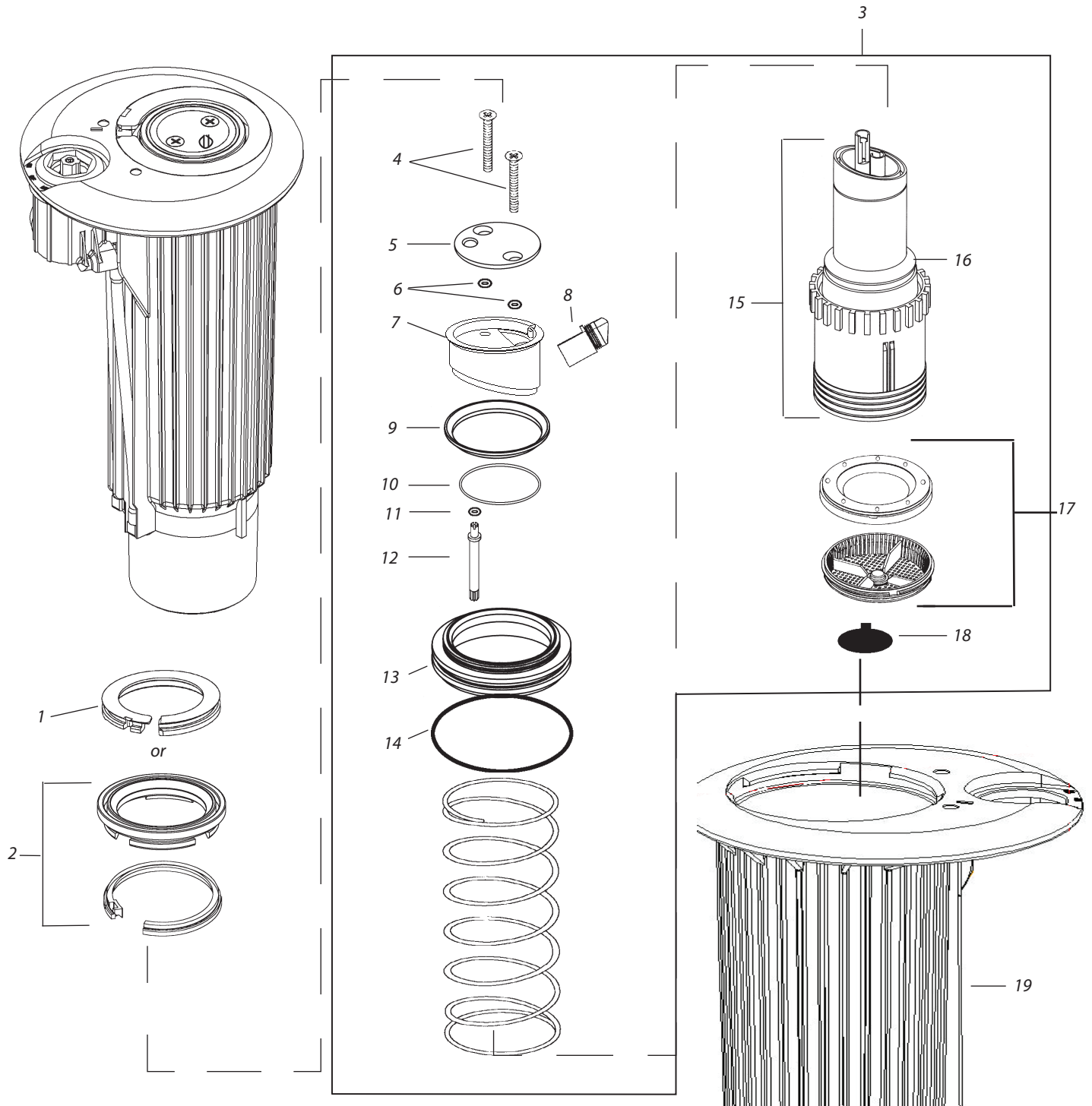
S4 = Stator with 4 Holes S8 = Stator with 8 Holes

Stator with 4 Holes

Stator with 8 Holes



Note: Part numbers enclosed in brackets () are not available individually, but may be sold in assemblies or kits.



Note: Part numbers enclosed in brackets () are not available individually, but may be sold in assemblies or kits.

EAGLE™ 550 INTERNAL ASSEMBLY

Ref.	Part Description	Qty.	550-E/IC	550-S/H	550B
SNAP RINGS					
1	Snap Cover	1	21192101	21192101	21192101
2	Rubber Cover Kit	1	(212551)	(212551)	(211355)
INTERNAL ASSEMBLY					
3	Internal Assembly (A)	1	214551xx	(B) 214551xx	(B) 214751xx
COVER ASSEMBLY					
4	Self-Tapping Screw	2	210974	210974	210974
5	Housing Cover	1	(211281)	(211281)	(211281)
6	Screw O-ring	2	211236	211236	211236
NOZZLES					
7	Nozzle Housing- Black (C)	1	21035601	21035601	21035601
8	Range Nozzle Assembly (A)	1	213500xx	213500xx	21500-xx
9	Retract Seal (D)	1	210354	210354	210354
17	Stator / Screen Kit	1	21040301	21040301	21040301
18	Seal-a-Matic™ Screen Assy	1	—	—	211292
BEARING / RISER-MOTOR ASSEMBLY					
10	Nozzle Housing O-Ring	1	210366	210366	210366
11	Arc Adjustment Stem O-Ring	1	211236	211236	211236
12	Arc Adjustment Stem	1	210420	210420	210420
13	Bearing Guide Assy, STD	1	211147	—	—
13	Bearing Guide Assy, LO-FLOW	1	—	(211263)	(211263)
14	Bearing Guide O-Ring	1	211242	211242	211242
15	Riser Motor Assembly	1	(210535)	(210535)	(210535)
16	Pop-up Seal (White)	1	210399	210399	210399

20 CASE ASSEMBLY See Catalog No. 010

- (A) Specify Nozzle Size when ordering. Available in # 51, 52, 53, 54.
- (B) Also requires Seal-a-Matic™ Screen Assy Part # 211292
- (C) For non-potable applications use standard part and purple snap ring part # 21192104
- (D) Obsolete as of year end 2016.

Ref.	KITS & Accessories	Qty.	P/N
1	Snap-Cover, Black		21192101
1	Snap-Cover, Yellow		21192102
1	Snap-Cover, White		21192103
1	Snap-Cover, Purple (Non-Potable)		21192104
5	Cover, Yardage Marker Blank (White)		(21199603)
	Cover, Yardage Marker Blank (Black)		(21199601)
Diffuser Screw Kit (#52 & 53 only)			(21196452)
-	(Includes modified Range Nozzle)		(21196453)
7	Nozzle Housing, Drilled & Tapped	1	
8	Range Nozzle Assy, Modified	1	
-	Diffuser Screw (not shown)	1	
5	Cover, (Notched)	1	
9	Retract Seal	1	
6	Screw O-Ring	2	
-	Sod Cup Kit		212613

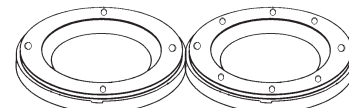
Stator / Poppet Configurations

Color	Number	Electric Pressure Setting psi (bars)				Hyd, SAM, B
		60 (4,1)	70 (4,8)	80 (5,5)	100 (6,9)	
Black	#51	S4	S4	S4	S4	S4
Beige	#52	S4	S4	S4	S4	S4
Gray	#53	S4	S4	S4	S4	S4
Red	#54	S8	S8	S8	S8	S8

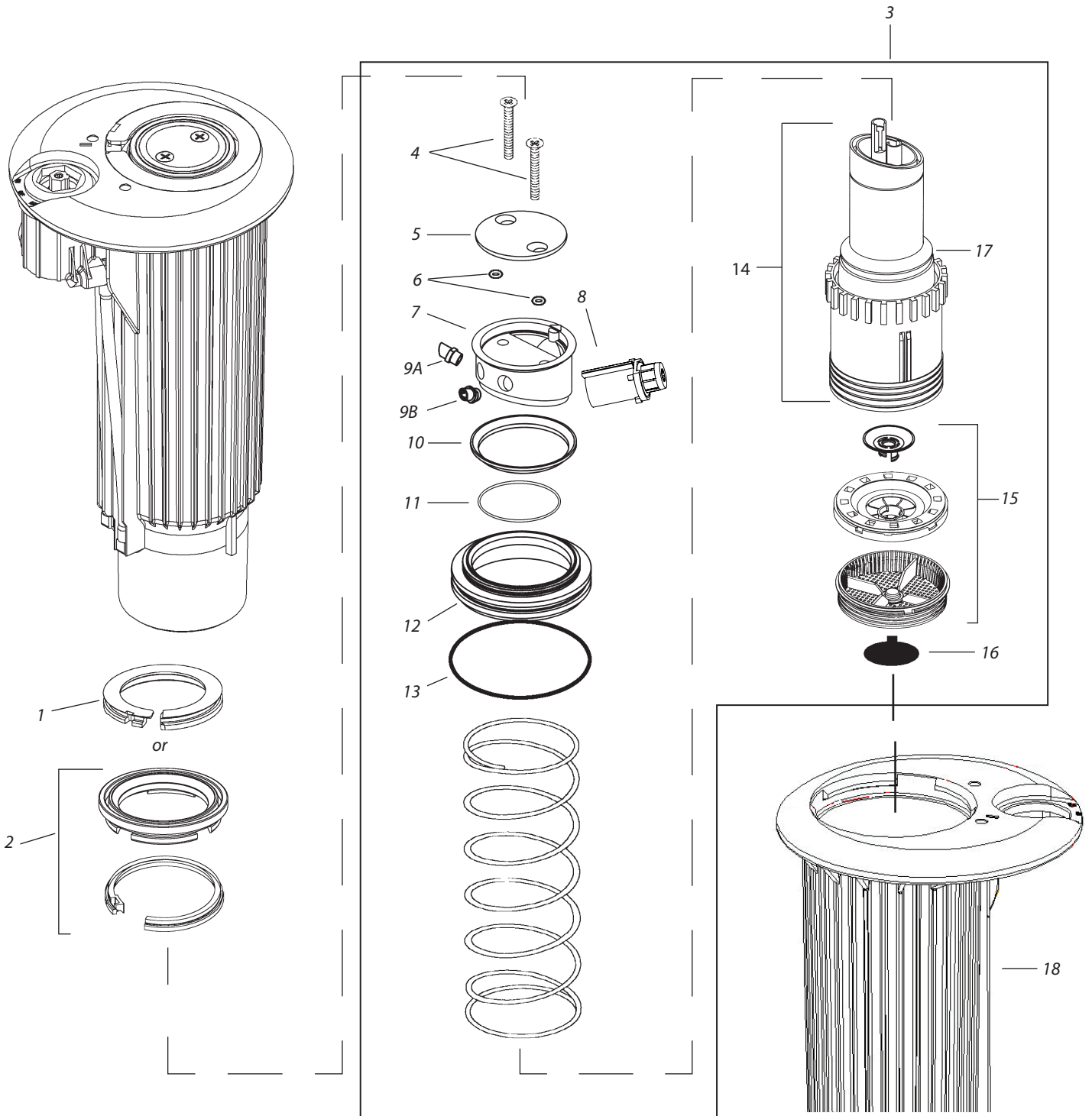
S4 = Stator with 4 Holes S8 = Stator with 8 Holes

Stator with 4 Holes

Stator with 8 Holes



Note: Part numbers enclosed in brackets () are not available individually, but may be sold in assemblies or kits.



Note: Part numbers enclosed in brackets () are not available individually, but may be sold in assemblies or kits.

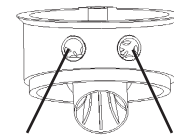
EAGLE™ 700 INTERNAL ASSEMBLY

Ref. Part Description	Otv.	700-E/IC	700-S/H	700B
SNAP RINGS				
1 Snap Cover	1	21192101	21192101	21192101
2 Rubber Cover Kit	1	(212551)	(212551)	(211355)
INTERNAL ASSEMBLY				
3 Internal Assembly (A)(B)(C)	1	(E) 214700xx	(E) 214700xx	(E) 214600xx
COVER ASSEMBLY				
4 Self-Tapping Screw	2	210974	210974	210974
5 Housing Cover	1	213710	213710	213710
6 Cover Screw O-Ring	2	211236	211236	211236
NOZZLES				
7 Dual Spreader Nozzle Housing - Black (B)(D)	1	213710	213710	213710
8 Range Nozzle Assembly (A)	1	213700xx	213700xx	213700xx
9A Mid-Range Spreader Nozzle	1	See Diagram Below		
9B Close-in Spreader Nozzle	1	See Diagram Below		
10 Retract Seal	1	210354	210354	210354
15 Stator/Screen Kit	1	21040301	21040301	21040301
-Stator	1	—	—	—
-Poppet	1	—	—	—
-Screen	1	—	—	—
16 Seal-a-Matic Screen Assy	1	—	—	211292
BEARING / RISER-MOTOR ASSEMBLY				
11 Nozzle Housing O-Ring	1	210366	210366	210366
12 Bearing Guide Assy, STD	1	211147	—	—
12 Bearing Guide Assy, LO-FLOW (E)	1	—	(211263)	(211263)
13 Bearing Guide O-Ring	1	211242	211242	211242
14 Riser Motor Assembly	1	21470000	21470000	21470000
17 Pop-up Seal (White)	1	210399	210399	210399
18 CASE ASSEMBLY See Catalog No. 010				

- (A) Specify Nozzle Size when ordering. Available in # 28, 32, 36, 40, 44, 48.
- (B) For Non-Potable applications, use standard part and purple snap ring (Part # 21192104)
- (C) Replacement Internal Assembly - upgrade to Rain Bird 700
- (D) Replacement Dual Spreader Nozzle Housing upgrade to Rain Bird 700 Nozzle Housing. Requires two (2) 700/751 Nozzle Housing Screws (Part # 214754).
- (E) Also requires Seal-a-Matic™ Screen Assy (Part # 211292).

Part #	Description
211562	Spreader Nozzle - Blue
213705	Spreader Nozzle - Blue W/Diffuser
211417	Spreader Nozzle - Black
211452	Spreader Nozzle - Black W/Diffuser
213701	Spreader Nozzle - Green
212291	Spreader Nozzle - Red
213702	Spreader Nozzle - Orange
211593	Spreader Nozzle Plug
213703	White Diffuser Insert - 500/550/700/750/751

Ref. KITS & Accessories	Otv.	P/N
1 Snap-Cover, Black		21192101
1 Snap-Cover, Yellow		21192102
1 Snap-Cover, White		21192103
1 Snap-Cover, Purple (Non-Potable)		21192104
5 Cover, Yardage Marker Blank (Black)		(21175201)
- Sod Cup Kit		212613

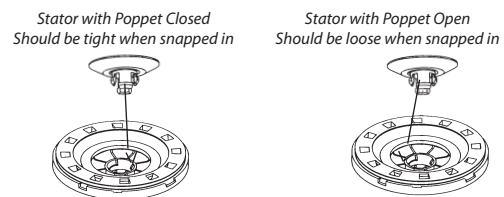


	Mid-Range nozzle (9A)	Close-In nozzle (9B)
Dual Spreader:	#28-36 Blue Part No.: 211562 #40-48 Black w/o insert Part No.: 211417	Always Black With White Cascade Insert Part No.: 211452
Cascade:	Plugged Part No.: 211593	With White Cascade Insert Always Black Part No.: 211452
Original:	Black w/o insert Part No.: 211417	Plugged Part No.: 211593

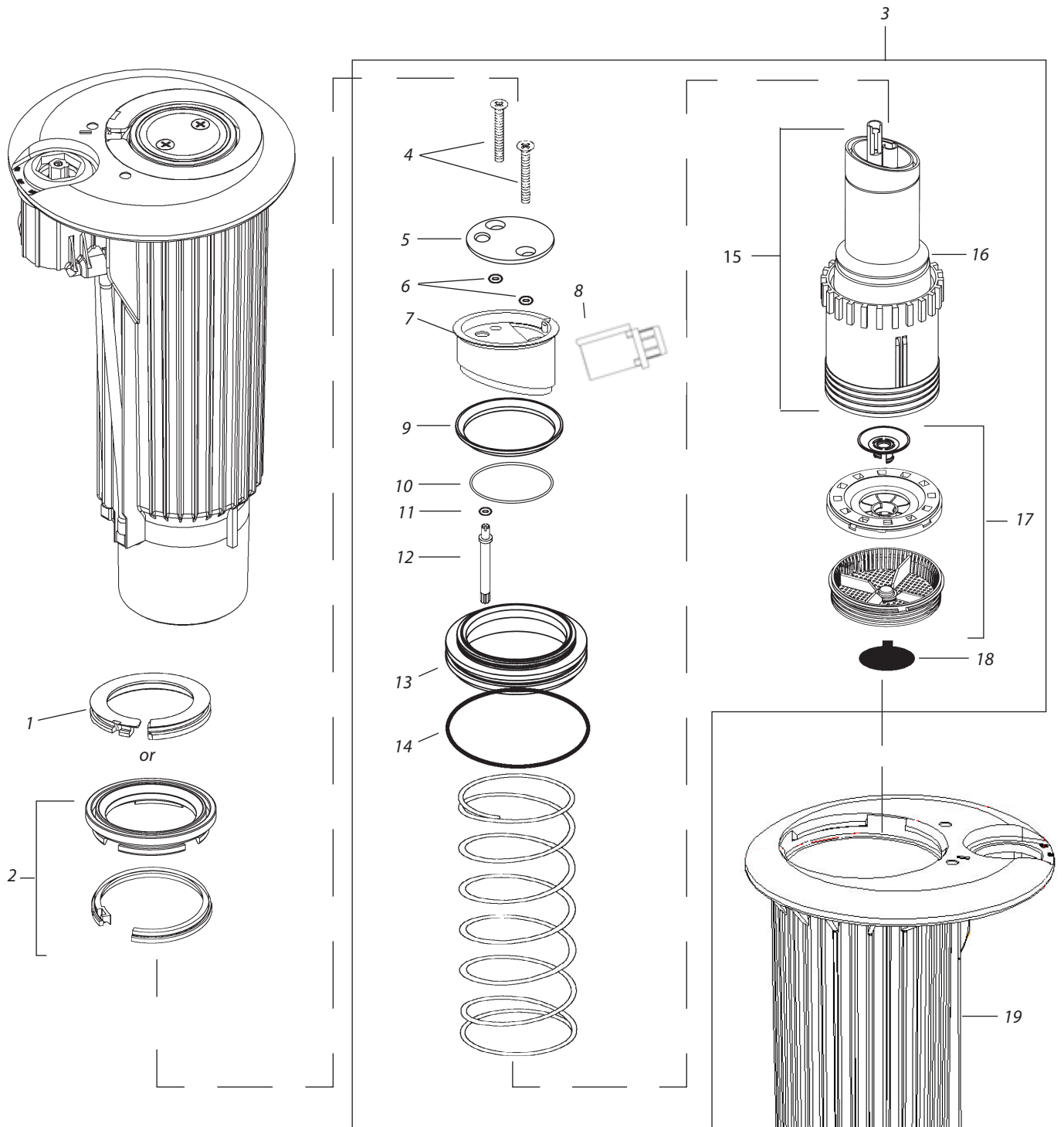
Stator / Poppet Configurations - Dual Spreader & Cascade

Color	Number	Electric Pressure Setting				Hyd, SAM, B
		psi (bars)				
		60 (4,1)	70 (4,8)	80 (5,5)	100 (6,9)	
White	#28 / 14C	SPC	SPC	SPC	SPC	SPC
Blue	#32 / 16C	SPO	SPO	SPO	SPO	SPO
Yellow	#36 / 18C	SPO	SPO	SPO	SPO	SPO
Orange	#40 / 20C	SNP	SNP	SNP	SNP	SNP
Green	#44 / 22C	SNP	SNP	SNP	SNP	SNP
Black	#48 / 24C	N/R	SNP	SNP	SPR	SNP

SPC = Stator with Poppet Closed SO = Screen Only
 SPO = Stator with Poppet Open SPR = Spacer and Screen
 SNP = Stator No Poppet N/R = Not a Recommended Pressure and Nozzle Setting



Note: Part numbers enclosed in brackets () are not available individually, but may be sold in assemblies or kits.



Note: Part numbers enclosed in brackets () are not available individually, but may be sold in assemblies or kits.

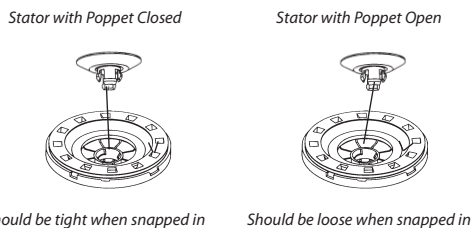
EAGLE™ 750 INTERNAL ASSEMBLY

Ref.	Part Description	Otv.	750-E/IC	750-S/H	750B
SNAP RINGS					
1	Snap Cover	1	21192101	21192101	21192101
2	Rubber Cover Kit	1	(212552)	(212552)	(211355)
INTERNAL ASSEMBLY					
3	Internal Assembly (A)	1	(E) 214751xx	(E) 214751xx	(E) 214751xx
COVER ASSEMBLY					
4	Self-Tapping Screw	2	210974	210974	210974
5	Housing Less Nozzle (D)	1	213760	213760	213760
6	Cover Screw O-Ring	2	211236	211236	211236
NOZZLES					
7	Dual-Spreader™ Nozzle Housing(B)(C)	1	21198201	21198201	21198201
8	Range Nozzle Assembly (A)	1	213750xx	213750xx	213750xx
9	Retract Seal	1	210354	210354	210354
17	Stator/Screen Kit	1	21040301	21040301	21040301
	-Stator	1	—	—	—
	-Poppet	1	—	—	—
	-Screen	1	—	—	—
18	Seal-a-Matic™ Screen Assy	1	—	—	211292
BEARING / RISER-MOTOR ASSEMBLY					
10	Nozzle Housing O-Ring	1	210366	210366	210366
11	Arc Adjustment Stem O-Ring	1	211236	211236	211236
12	Arc Adjustment Stem	1	210420	210420	210420
13	Bearing Guide Assy, STD	1	211147	—	—
13	Bearing Guide Assy, LO-FLOW	1	—	211263	(211263)
14	Bearing Guide O-Ring	1	211242	211242	211242
15	Riser Motor Assembly	1	21475100	21475100	21475100
16	Pop-up Seal (White)	1	210399	210399	210399
19	CASE ASSEMBLY See Catalog No. 010				

- (A) Specify Nozzle Size when ordering. Available in # 28, 32, 36, 40, 44, 48.
To replace cascade nozzles (#14-24), double the nozzle number and upgrade to dual spreader nozzles. (eg. for #18 cascade, order #36 dual spreader.)
- (B) For non-potable applications use standard part and purple snap ring (Part # 21192104)
- (C) For cascade nozzle housing upgrade to Dual-Spreader™ nozzle housing - Part # 21198201 and Nozzle - part # 213750xx
- (D) Replacement housing - upgrade to Rain Bird 751.
- (E) Also requires Seal-a-Matic™ Screen Assy (Part # 211292).



750 Dual-Spreader Nozzle 750 Cascade Nozzle (obsolete)

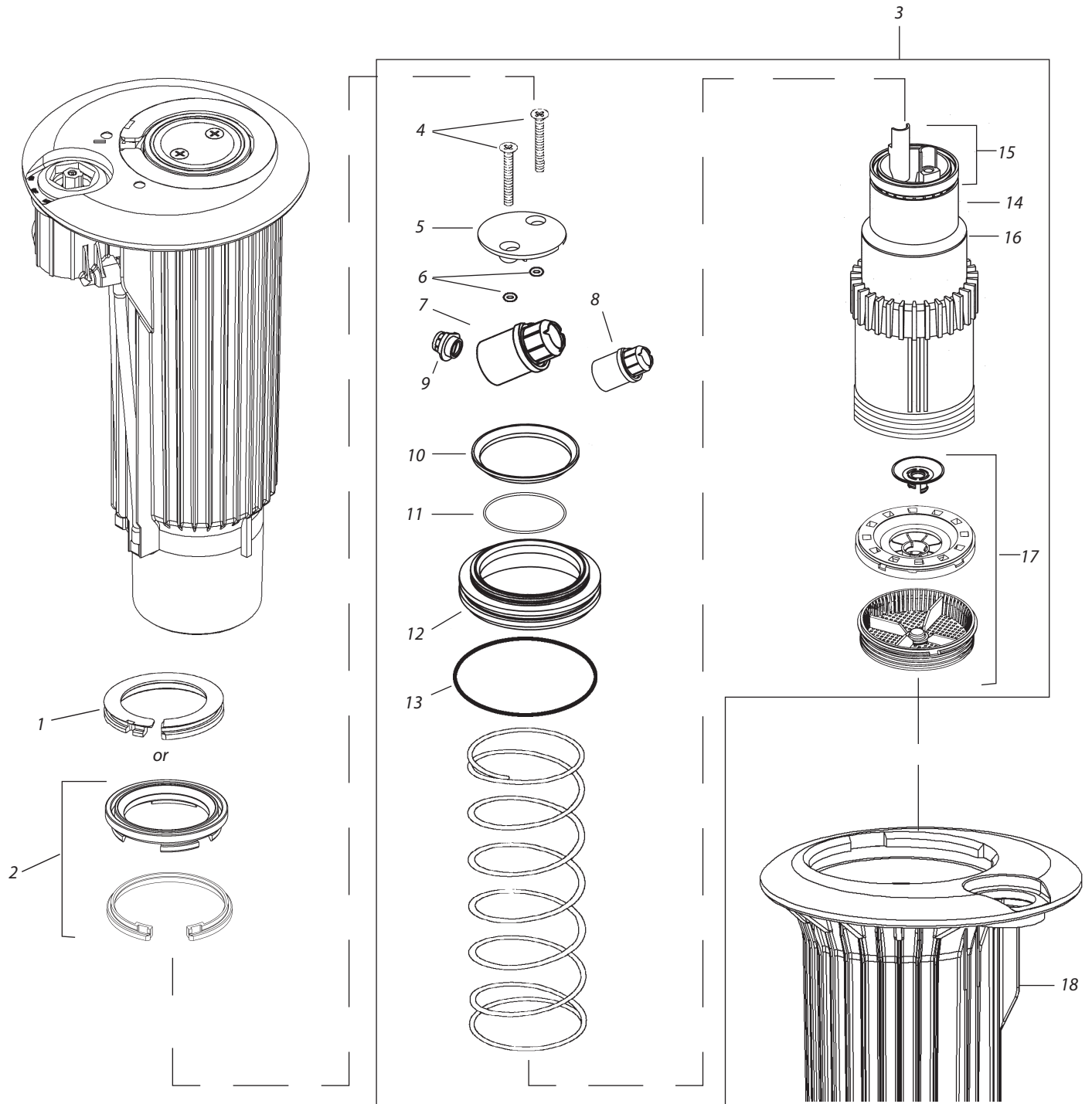


Should be tight when snapped in Should be loose when snapped in

Stator / Poppet Configurations - Dual-Spreader & Cascade						
Color	Number	Electric Pressure Setting				Hyd, SAM, B
		psi (bars)				
		60 (4,1)	70 (4,8)	80 (5,5)	100 (6,9)	
White	28/14C	SPC	SPC	SPC	SPC	SPC
Blue	32/16C	SPO	SPO	SPO	SPO	SPO
Yellow	36/18C	SPO	SPO	SPO	SPO	SPO
Orange	40/20C	SNP	SNP	SNP	SNP	SNP
Green	44/22C	SNP	SNP	SNP	SNP	SNP
Black	24C	SNP	SPR	SPR	SPR	SNP
Black	#48	SPR	SPR	SPR	SPR	SNP

SPC = Stator with Poppet Closed SPR = Spacer and Screen
 SPO = Stator with Poppet Open N/R=Not a Recommended Pressure
 SNP = Stator No Poppet and Nozzle Setting

Note: Part numbers enclosed in brackets () are not available individually, but may be sold in assemblies or kits.



Note: Part numbers enclosed in brackets () are not available individually, but may be sold in assemblies or kits.

EAGLE™ 900 INTERNAL ASSEMBLY

Ref.	Part Description	Qty.	900-E/IC	900-S/H
SNAP RINGS				
1	Snap Cover (all models)	1	21193401	21193401
2	Rubber Cover kit	1	(212553)	(212553)
INTERNAL ASSEMBLY				
3	Internal Assembly (A)(B)	1	210786xx	210786xx
COVER ASSEMBLY				
4	Self-Tapping Screw	2	210975	210975
5	Housing Cover	1	211966	211966
6	Screw O-Ring	2	209778	209778
NOZZLES				
7	Nozzle Housing - Black (B)(C)	1	211967	211967
8	Range Nozzle Assembly	1	213900xx	213900xx
9	Spreader Nozzle Assembly	1	See chart Below	
10	Retract Seal	1	210231	210231
17	Stator/Screen Kit	1	210232	210232
-	Poppet	1	—	—
-	Screen	1	—	—
-	Stator	1	—	—
BEARING / RISER-MOTOR ASSEMBLY				
11	Nozzle Housing O-Ring	1	210168	210168
12	Bearing Guide Assy, STD	1	211460	—
12	Bearing Guide Assy, LO-FLOW	1	—	(211461)
13	Bearing Guide O-Ring	1	212383	212383
14	Riser Motor Assembly	1	209836	209836
15	Nozzle Base Replacement Kit w/seals 1	1	212060	212060
16	Pop-up Seal (White)	1	209781	209781

18 CASE ASSEMBLY See Catalog No. 011

- (A) Specify Nozzle Size when ordering. Available in High Performance nozzle sizes # 44, 48, 52, 56, 60, 64.
- (B) For Non-Potable applications, use standard part and purple snap ring - Part # 21193404
- (C) The Nozzle Housing was changed 8/99 to accommodate the new Spreader for the High Performance nozzles. All 900 rotors and Nozzle/Housings manufactured after 8/99 have the new Nozzle Housing. Upgrade to High Performance Nozzle.

Ref.	KITS & Accessories	Qty.	P/N
1	Snap-Cover, Black		21192101
1	Snap-Cover, Yellow		21193402
1	Snap-Cover, White		21193403
1	Snap-Cover, Purple (Non-Potable)		21193404
Diffuser Screw Kit			(B) 212144
(For high performance nozzles 44-64)			
7	Nozzle Housing, Drilled & Tapped	1	
-	Diffuser Screw, installed	1	
5	Cover, (Notched)	1	
9	Spreader Nozzle Assembly	1	
10	Retract Seal	1	
6	Screw O-Ring	2	

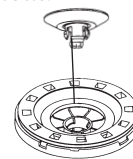
Stator / Poppet Configurations - High Performance and Standard Nozzles

Color	Number	Electric Pressure Setting				Hyd, SAM, B
		psi (bars)				
		60 (4,1)	70 (4,8)	80 (5,5)	100 (6,9)	
Blue	#44	SPC	SPC	SPC	SPC	SPC
Yellow	#48	SPC	SPC	SPC	SPO	SPC
Orange	#52	SPC	SPO	SPO	SPO	SPO
Green	#56	N/R	SNP	SNP	SNP	SNP
Black	#60	N/R	SNP	SPR	SPR	SPR
Red	#64	N/R	N/R	SPR	SPR	SPR
White	#18C	SPC	SPC	SPC	SPC	SPC
Gray	#20C	SPC	SPC	SPC	SPC	SPC
Blue	#22C	SPC	SPC	SPC	SPC	SPC
Yellow	#24C	SPC	SPC	SPO	SPO	SPO
Orange	#26	SPO	SPO	SPO	SPO	SPO
Green	#28	N/R	SNP	SPR	SPR	SPR
Black	#30	N/R	SNP	SPR	SPR	SPR
Brown	#32	N/R	N/R	SPR	SPR	SPR

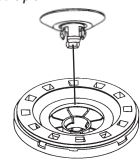
SPC = Stator with Poppet Closed SPR = Spacer
 SPO = Stator with Poppet Open N/R=Not a Recommended Pressure
 SNP = Stator No Poppet and Nozzle Setting

Spreader Nozzles	
If Range Nozzle is:	then use:
44 - 48	Part No.: 213904 (Blue)
52 - 64	Part No.: 213905 (Black)

Stator with Poppet Closed



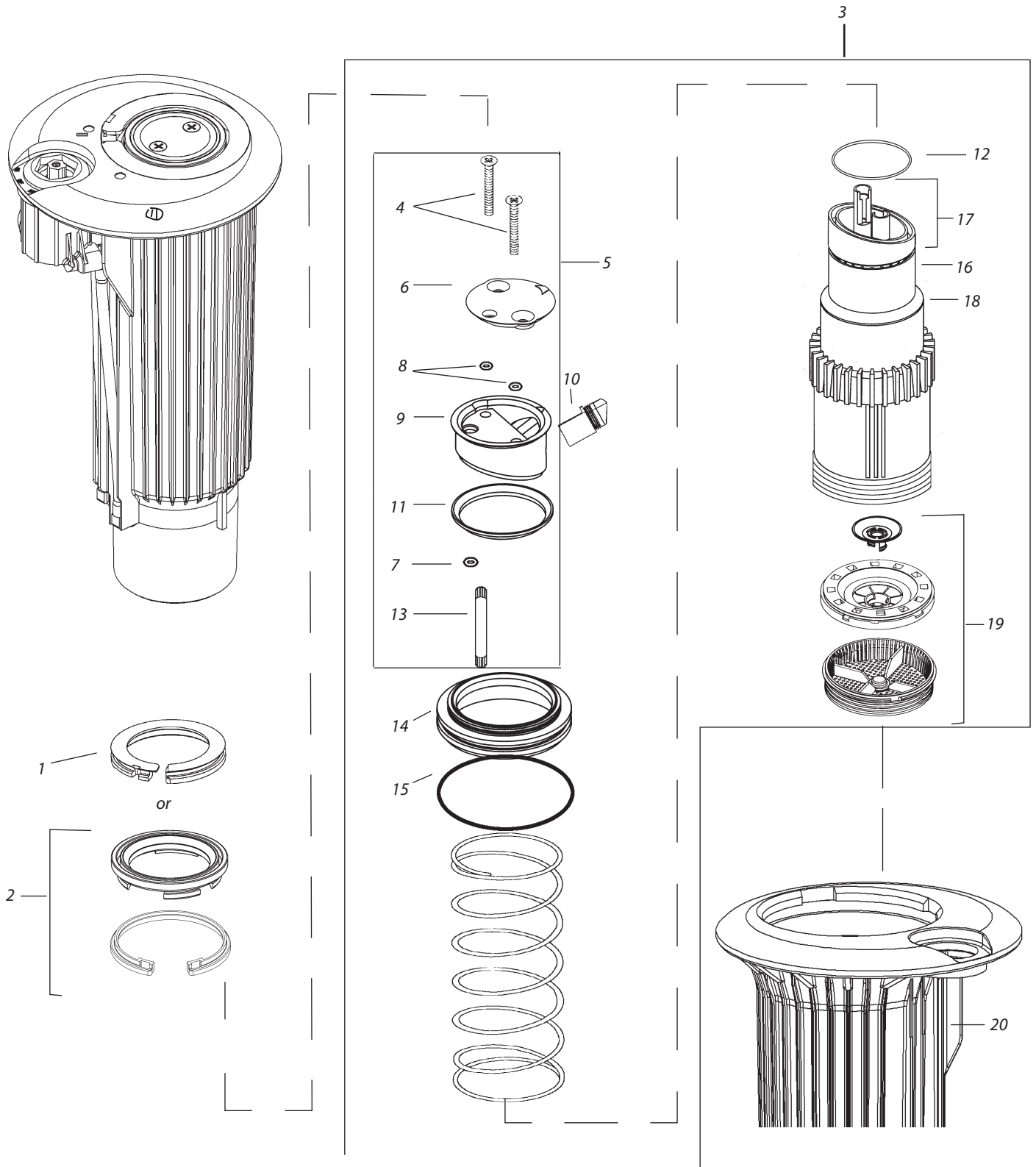
Stator with Poppet Open



Should be tight when snapped in

Should be loose when snapped in

Note: Part numbers enclosed in brackets () are not available individually, but may be sold in assemblies or kits.



Note: Part numbers enclosed in brackets () are not available individually, but may be sold in assemblies or kits.

EAGLE™ 950 INTERNAL ASSEMBLY

Ref.	Part Description	Otv.	950-E/IC	950-S/H
SNAP RINGS				
1	Snap Cover (all models)	1	21193401	21193401
2	Rubber Cover Kit	1	212554	212554
INTERNAL ASSEMBLY				
3	Internal Assembly (B,C)	1	211442xx	211442xx
COVER ASSEMBLY				
4	Self-Tapping Screw	2	210975	210975
5	One Piece Arc Adjust Conversion Kit(A)(B)	1	212893	212893
6	Housing Cover (on & after 11/06) (A)	1	(21282001)	(21282001)
8	Screw O-ring	2	209778	209778
NOZZLES				
9	Nozzle Housing-Black(on & after 11/06)(A)(B)	1	212822	212822
10	Range Nozzle Assembly (C)	1	213950xx	213950xx
11	Retract Seal	1	210231	210231
19	Stator/Screen Kit	1	210232	210232
	- Poppet		—	—
	- Stator		—	—
	- Screen		—	—
BEARING / RISER-MOTOR ASSEMBLY				
12	Nozzle Housing O-Ring	1	210436	210436
13	Adjustment Stem (on & after 11/06) (A)	1	—	—
14	Bearing Guide Assy, STD	1	211460	—
14	Bearing Guide Assy, LO-FLOW	1	—	(211461)
15	Bearing Guide O-Ring	1	212383	212383
16	Riser Motor Assembly	1	210439	210439
17	Nozzle Base Replacement Kit w/seals	1	212061	212061
18	Pop-up Seal (White)	1	209781	209781

20 CASE ASSEMBLY See Catalog No. 011

- (A) One Piece Arc Adjust incorporated 11/06. Prior to 11/06. Upgrade to the One Piece Arc Adjust Kit. Part # 212893.
- (B) For non-potable applications, use standard part and purple snap ring - Part # 21193404.
- (C) Specify Nozzle Size when ordering. Available in # 18, 20, 22, 24,26,28,30,32

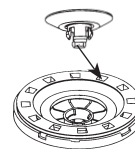
Ref.	KITS & Accessories	Otv.	P/N
1	Snap-Cover, Black		21192101
1	Snap-Cover, Yellow		21193402
1	Snap-Cover, White		21193403
1	Snap-Cover, Purple (Non-Potable)		21193404
Rubber Cover Kit			(E)212554
-	Snap Ring Rubber cover	1	
-	Upper snap ring	1	
-	Housing Rubber cover	1	
-	Rubber Case Cover	1	
5	Cover, Yardage Marker Blank (White) (A)		(21214103)
5	Cover, Yardage Marker Blank (Black) (A)		(21214101)
Diffuser Screw Kit			(B)212145
9	Nozzle Housing, Drilled & Tapped	1	
-	Diffuser Screws	2	
5	Cover, Notched	1	
11	Retract Seal	1	
8	Screw O-Ring	2	
EAGLE's TAIL KIT (Black)			(B)211900
9	Housing, Nozzle, Drilled in back	1	
-	Close-in Spreader Nozzle, 700	1	211452
5	Housing cover	1	
11	Retract Seal	1	
8	Screw O-Ring	2	
	EAGLE's Tail Instruction Sheet	1	

Stator / Poppet Configurations - Cascade & Non-Cascade

Color	Number	Electric Pressure Setting				Hyd, SAM
		psi (bars)				
		60 (4,1)	70 (4,8)	80 (5,5)	100 (6,9)	
White	#18C	SPC	SPC	SPC	SPC	SPC
Gray	#20C	SPC	SPC	SPC	SPC	SPC
Blue	#22C	SPC	SPC	SPC	SPC	SPC
Yellow	#24C	SPC	SPC	SPO	SPO	SPO
Orange	#26	SPO	SPO	SPO	SPO	SPO
Green	#28	N/R	SNP	SO	SO	SPR
Black	#30	N/R	SNP	SO	SO	SPR
Brown	#32	N/R	N/R	SO	SO	SPR

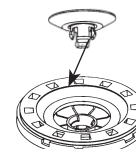
SPC = Stator with Poppet Closed SPR = Spacer and Screen
 SPO = Stator with Poppet Open SO = Screen Only
 SNP = Stator No Poppet N/R=Not a Recommended Pressure and Nozzle Setting

Stator with Poppet Closed



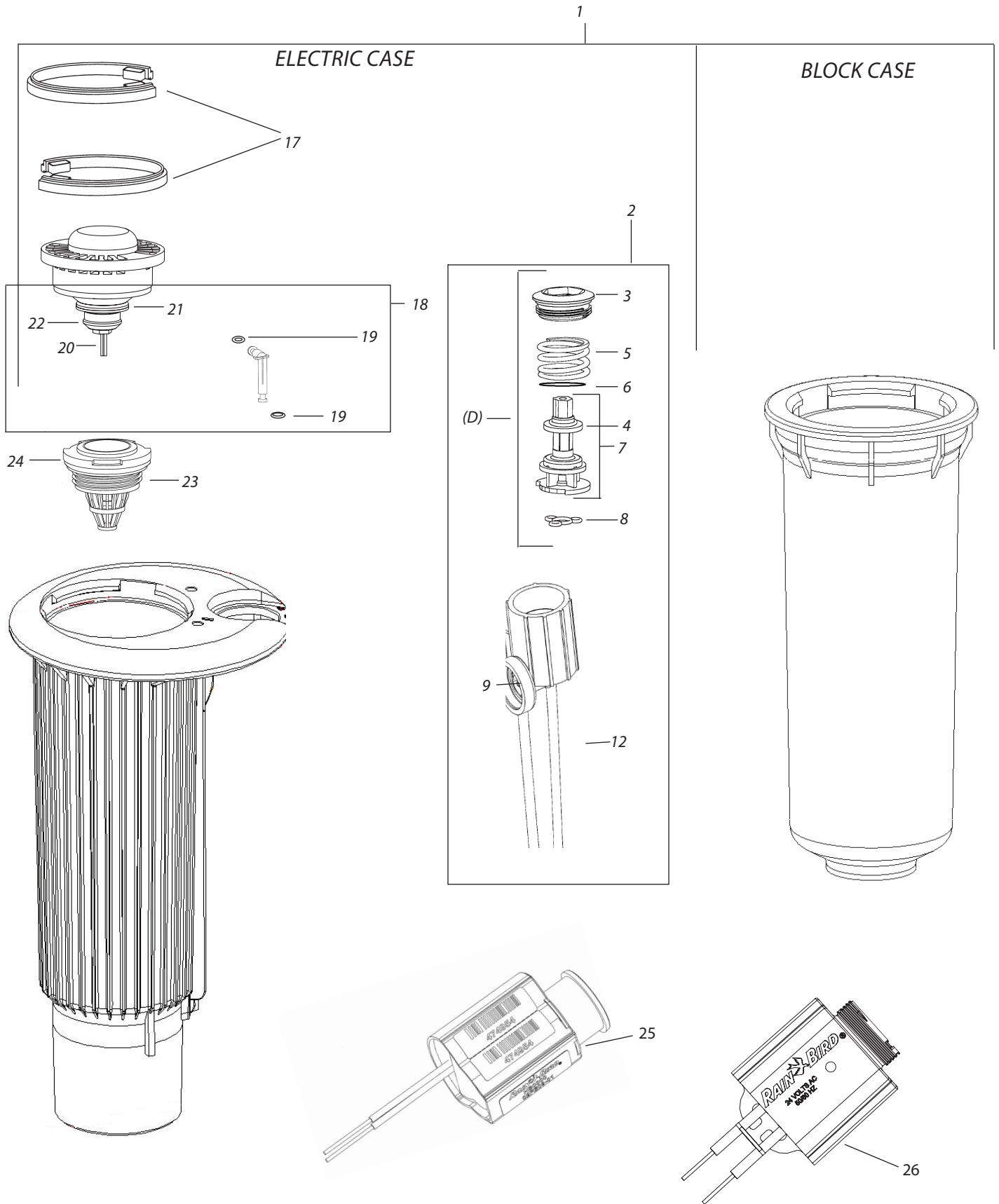
Should be tight when snapped in

Stator with Poppet Open



Should be loose when snapped in

Note: Part numbers enclosed in brackets () are not available individually, but may be sold in assemblies or kits.

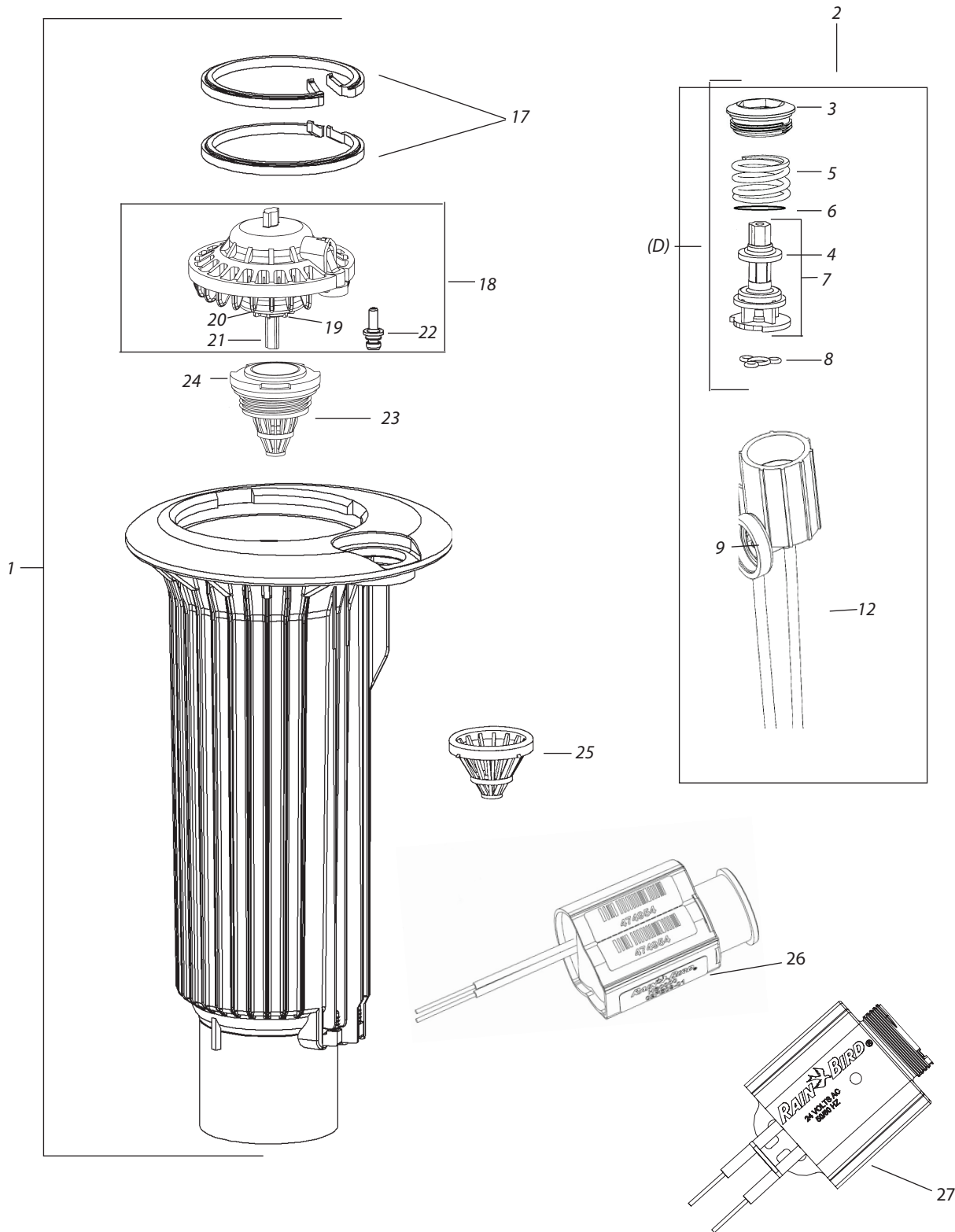


Note: Part numbers enclosed in brackets () are not available individually, but may be sold in assemblies or kits.

EAGLE™ 500 / 550 / 700 / 750 SERIES

Ref. Part Description	Qty.	Electric	SAM/Hydraulic	B case	IC	
CASE ASSEMBLIES						
EAGLE™ 700 / 750						
1 Case Assembly (NPT)	1	(A)	(A)	(A)	(A)	
- Case Assembly (BSP)	1	(B) (H)	(H)	(I)	(H)	
- Case Assembly (ACME)	1	(B) 21246602C	212468	21148903	(B) 21338902	
EAGLE™ 500 / 550						
1 Case Assembly (NPT)	1	(A)	(A)			
(J)	—					
- Case Assembly (BSP)	1	(A)	(B,C,H)	(I)	—	
- Case Assembly (ACME)	1	(B,C)	212468	21148903	—	
2 PRS/Selector Housing Assy (>6/95)	1	211418	—	—	—	
3 Selector Cap	1	(D)	—	—	—	(A) 1 1/4" NPT cases not available. Upgrade to ACME case w/NPT to ACME adapter (2129475).
4 Stem Cover O-Ring	1	(D)	—	—	—	(B) Case assembly will come with a 70psi (4.8 bars) pressure setting
5 Compression Spring	1	(D)	—	—	—	(C) Use EAGLE™ 700/750 case assembly and replace valve with 500/550 valve assembly (2120895)
6 Selector Spring Washer	1	(D)	—	—	—	(D) Included in PRS/Selector Repair Kit: Pre 4/01 use # 213366 (includes rust seal), Post 4/01 use #212150 (includes green seal).
7 PRS Cartridge, Upper Stem (Black)	1	(D)	—	—	—	(E) Tubing Repair Kit includes 20 tubes, ferrules and metal barbs.
8 Selector Seal (Green)	1	(D,F) 212244	—	—	—	(F) Selector Seal, Rust (<4/01) #211663
9 Solenoid Base O-Ring	1	211237	—	—	—	(G) For salt water Plunger Core Tube Assy - use Part # 212732
10 Base Nut	1	(602606)	—	—	—	(H) 1 1/4" BSP cases not available. Upgrade to ACME case w/ BSP to ACME adapter - Use part # (21337102)
11 Plunger Core Tube Assy	1	(G) (212972015)	—	—	—	(I) 1" BSP cases not available. Upgrade to ACME case w/ BSP to ACME adapter - Use part # (21337101)
12 Tubing	2	(E)211607	(E)211607	—	—	(J) 1" NPT cases not available. Upgrade to ACME case w/ NPT to ACME adapter - use part # 21337001
13 Solenoid Assy	1	213462C	—	—	—	
14 U-Frame	1	(2121245)	—	—	—	
15 Encapsulated Coil	1	602118	—	—	—	
16 Solenoid Retainer	1	(627167)	—	—	—	
17 Lower Snap Ring	2	210470	210470	—	—	
18 Valve Assembly (700 / 750 Series)	1	211468	212322	—	—	
18 Valve Assembly (500 / 550 Series)	1	2120895	212322	—	—	
19 Probe O-Ring	2	211238	211238	—	—	
20 Universal Filter	1	20609202	—	—	—	
21 Inlet Rubber Seal	1	2123285	(212221)	—	—	
22 Seal Nut	1	211174	—	—	—	
23 Top-Serviceable Rock Screen (TSRS) (>4/98) (White)	1	21171401	21171401	—	—	
24 O-Ring for TSRS (Yellow)	1	210366	210366	—	—	
25 ICM Assembly	1	214010	—	—	—	
9 Solenoid and ICM O-Ring	1	211237	—	—	—	
26 GBS25 (Golf Black Solenoid 25kv)	1	213462C	—	—	—	
KITS						
- Tubing Repair Kit (E)	1	211607	—	—	—	
- Quick Connects for Tube Cuts	1	212159	212159	—	—	
- Rubber Cover Kit (B case Only)	1	—	—	211355	—	
- Rubber Cover Kit (500/550/700/750) - Smooth Case Rotor	1	(211602)	(211602)	—	—	
- Rubber Cover Kit (500/550/700/750) - Ribbed Case Rotor	1	(212551)	(212551)	—	—	
- Sod Cup Kit	1	212613	212613	212613	212613	
TOOLS - For use on 500/550/700/750 Rotors						
- Selector Service Tool Key (Orange Tool)	1	B41720	—	—	—	
- 7" Selector Valve Key	1	D02215	—	—	—	
- 18" Selector Valve Key	1	D02221	—	—	—	
- Snap Ring Pliers	1	D02236	D02236	—	—	
- Valve Insertion Tool	1	B41710	B41710	—	—	
- Installation Socket for TSRS	1	D02237	D02237	—	—	
- Universal Hose Adaptor	1	D05205	D05205	—	—	

Note: Part numbers enclosed in brackets () are not available individually, but may be sold in assemblies or kits.

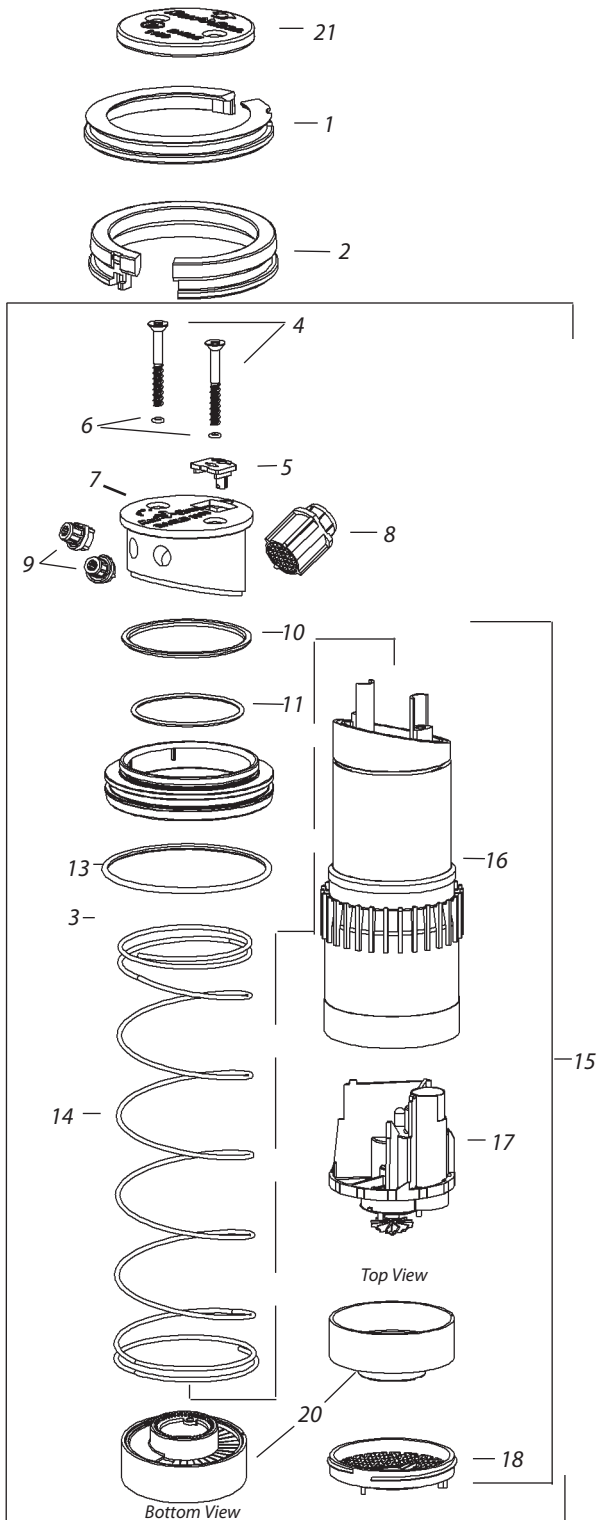


Note: Part numbers enclosed in brackets () are not available individually, but may be sold in assemblies or kits.

Ref.	Part Description	Qty.	Electric	SAM / Hydraulic	IC
CASE ASSEMBLIES					
1	Case Assembly (NPT)	1	(A) 21246903	(B)	—
1	Case Assembly (BSP)	1	(G)	(G)	(G)
1	Case Assembly (ACME)	1	(C) 21247503C	212477(C)	(C) 21339003
2	PRS/Selector Housing Assy (>6/95)	1	(C) 21247503C	—	—
3	Selector cap	1	(D)	—	—
4	Stem Cover O-Ring	1	(D)	—	—
5	Compression Spring	1	(D)	—	—
6	Selector Washer	1	(D)	—	—
7	PRS Cartridge	1	(D)	—	—
8	Selector Seal (Green)	1	(D)(F) 212244	—	—
9	Solenoid Base O-Ring	1	211237	—	—
10	Base Nut	1	(602606)	—	—
11	Plunger Core Tube Assy	1	—	—	—
12	Tubing	2	(E)211607	(E)211607	—
13	Solenoid Assembly Kit	1	213462C	—	—
14	Solenoid Retainer	1	(627167)	—	—
15	Solenoid U-Frame	1	(212124S)	—	—
16	Encapsulated Coil	1	602118	—	—
17	Lower Snap Ring (White)	2	208396	208396	—
18	HPDV Valve Assembly	1	211266	212323	—
19	Seal Nut (White)	1	211174	—	—
20	Rubber Inlet Seal	1	(211197)	212220S	—
21	Universal Filter	1	20609202	—	—
22	Probe & O-ring Assembly (Grey)	1	20740201	20740201	—
-	Probe O-Ring (Yellow)	1	211238	211238	—
23	Top-Serviceable Rock Screen (>9/98)	1	21171402	21171402	—
24	Rock Screen O-ring (Grey)	1	210366	210366	—
25	Inlet Screen (<9/98)	1	—	—	—
26	ICM Assembly	1	214010	—	—
9	Solenoid and ICM O-Ring	1	211237	—	—
27	GBS25 (Golf Black Solenoid 25kv)	1	213462C	—	—
KITS					
-	Tubing Repair Kit (E)	1	211607	—	—
-	Quick Connect for Tube Cuts	1	212159	212159	—
-	Rubber Cover Kit 950 - Ribbed Case	1	212554	212554	—
TOOLS - For use on 900/950/1100/1150/115E Rotors					
-	Selector Service Took Key (Orange Toll)	1	B41720	—	—
-	7" Selector Valve Key	1	D02215	—	—
-	18" Selector Valve Key	1	D02221	—	—
-	Snap Ring Pliers	1	D02203	D02203	—
-	Valve Insertion Tool	1	B41700	B41700	—
-	Installation Socket for TSRS	1	D02237	D02237	—
-	Universal Hose Adapter	1	D05205	D05205	—

(A) Only available in 80psi (5.5bars)
 (B) 1 1/2" NPT Case not available. Upgrade to ACME case w/NPT to ACME adaptor - use part# 212948S
 (C) Case Assemblies will be set to 80 psi (5.5 bars).
 (D) Included in PRS/Selector Repair Kit: Pre 4/01 use Part # 213366 (includes rust color seal), Post 4/01 use Part # 212150
 (E) Tubing repair Kit includes 20 tubes, ferrules and metal barbs.
 (F) Selector Seal, Rust (<4/01) - part # 211663.
 (G) 1 1/2" BSP cases not available. Upgrade to ACME case w/ BSP to ACME adapter - Use part # (21337103)

Note: Part numbers enclosed in brackets () are not available individually, but may be sold in assemblies or kits.



Ref.	Part Description	Oty	1100-E	1100-S	1100-H
SNAP RINGS					
1	Snap Cover (all models)	1	(21220401)	(21220401)	(21220401)
RUBBER COVER KIT					
2	Rubberized Snap Cover	1	—	—	—
21	Rubber Cover, Housing	1	(2122665)	(2122665)	(2122665)
6	Screw O-Ring	2	209778	209778	209778
INTERNAL ASSEMBLY					
3	Internal Assembly	1	(212438xx)	(212438xx)	(212438xx)
COVER ASSEMBLY					
4	Self Tapping Screw	2	210975	210975	210975
5	Diffuser Housing Insert	1	—	—	—
6	Screw O-Ring	2	209778	209778	209778
NOZZLES (Please specify nozzle size when ordering - See below)					
-	Nozzle/Housing Kit	1	(212602xx)	(212602xx)	(212602xx)
7	Nozzle Housing	1	—	—	—
8	Range Nozzle Assembly	1	(212604xxs)	(212604xxs)	(212604xxs)
9	Spreader Dual Nozzle Assembly	1	(212605xx)	(s212605xx)	(s212605xxs)
10	Retract Seal (Nozzle Housing)	1	—	—	—
18	Riser Screen	1	—	—	—
BEARING/RISER-MOTOR ASSEMBLY					
11	O-Ring Nozzle Housing	1	(2122555)	(2122555)	(2122555)
13	Bearing Guide O-Ring	1	212383	212383	212383
14	Retract Spring	1	(212162S)	(212162S)	(212162S)
15	Riser Motor Assembly	1	—	—	—
16	Riser - Seal Pop-Up	1	(212172)	(212172)	(212172)
17	Motor Housing (Replacement)	1	—	—	—
20	Stator Assembly - Common	1	(212606)	(212606)	(212606)
CASE ASSEMBLY (Please refer to EAGLE™ 900/950/1100/1150/115-E Series, catalog number 466)					

Stator Setting Configurations Factory

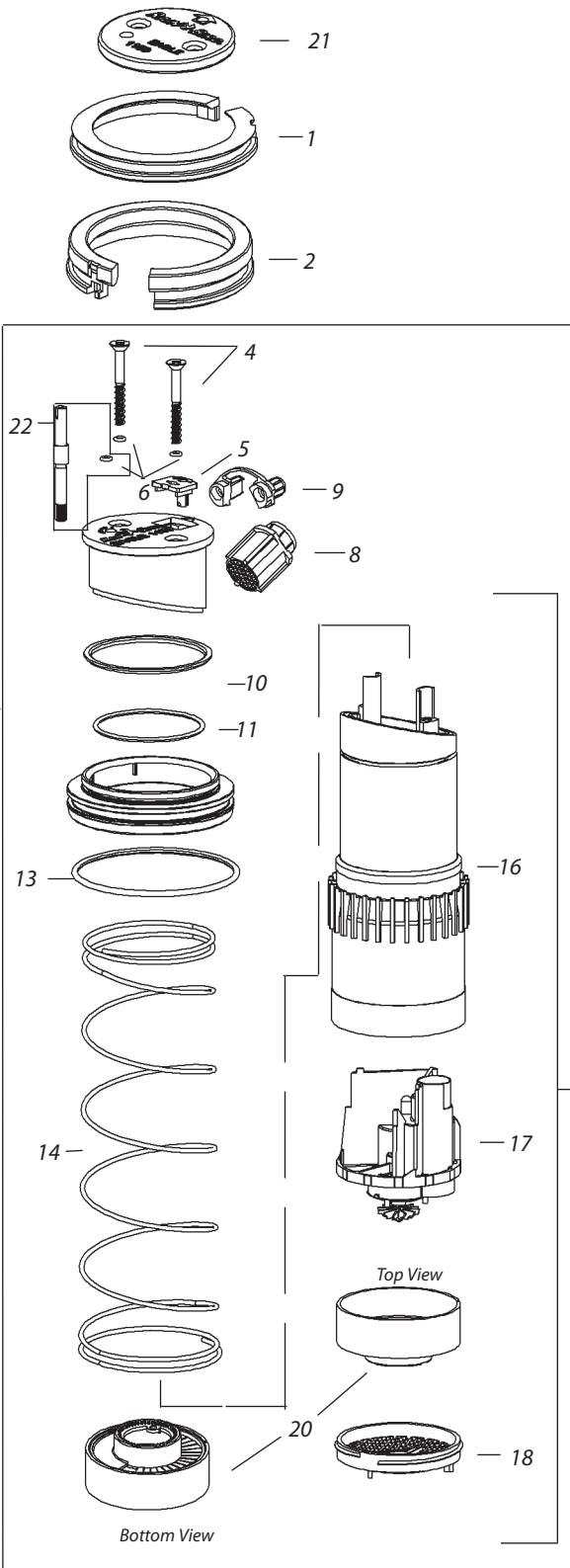
Number	Color of Range Nozzle	Electric Case Pressure Setting			Hyd/SAM
		Psi (bars)			
		80(5.5)	100(6.9)	120(8.3)	Set per Base Psi*
#48	Blue	10	11	12	10 - 12
#57	Yellow	11	12	13	11 - 13
#63	Orange	13	15	16	13 - 16
#66	Green	14	16	16	14 - 16

* Factory stator set for 80psi base pressure

Note: Stator settings to a lower number than factory will speed up rotation speed and shorten radius. Stator settings to a larger number than factory will slow rotation speed or cause non-rotation.

Note: Part numbers enclosed in brackets () are not available individually, but may be sold in assemblies or kits.

EAGLE™ 1150 SERIES INTERNAL ASSEMBLY



Ref.	Part Description	Qty	1150-E	1150-S	1150-H
SNAP RINGS					
1	Snap Cover (all models)	1	(21220401)	(21220401)	(21220401)
RUBBER COVER KIT					
2	Rubberized Snap Cover	1	—	—	—
21	Housing Rubber Cover	1	—	—	—
6	Screw O-Ring	2	209778	209778	209778
INTERNAL ASSEMBLY					
3	Internal Assembly	1	(21243966S)	(21243966S)	(21243966S)
COVER ASSEMBLY					
4	Self Tapping Screw	2	210975	210975	210975
5	Diffuser Housing Insert	1	—	—	—
22	Arc Adjustment Shaft Assembly	1	—	—	—
6	Screw O-Ring	3	209778	209778	209778
NOZZLES (Please specify nozzle size when ordering - See below)					
-	Nozzle/Housing Kit	1	(212609xx)	(212609xx)	(212609xx)
-	Nozzle/Housing Kit (Purple)	1	(21261066)	(21261066)	(21261066)
7	Nozzle Housing	1	—	—	—
8	Range Nozzle Assembly	1	(212604xxS)	(212604xxS)	(212604xxS)
9	Spreader Dual Nozzle Assembly	1	(212611S)	(212611S)	(212611S)
10	Retract Seal (Nozzle Housing)	1	—	—	—
18	Riser Screen	1	—	—	—
BEARING/RISER-MOTOR ASSEMBLY					
11	O-Ring Nozzle Housing	1	(212255S)	(212255S)	(212255S)
13	Bearing Guide O-Ring	1	212383	212383	212383
14	Retract Spring	1	212162S	212162S	212162S
15	Riser Motor Assembly	1	(212436S)	(212436S)	(212436S)
16	Seal, Riser-Pop-Up	1	212172	212172	212172
17	Motor Housing (Replacement)	1	—	—	—
20	Stator Assembly - Common	1	(212606)	(212606)	(212606)
CASE ASSEMBLY (Please refer to EAGLE™ 900/950/1100/1150/11-E Series, catalog number 011)					

Stator Setting Configurations Factory

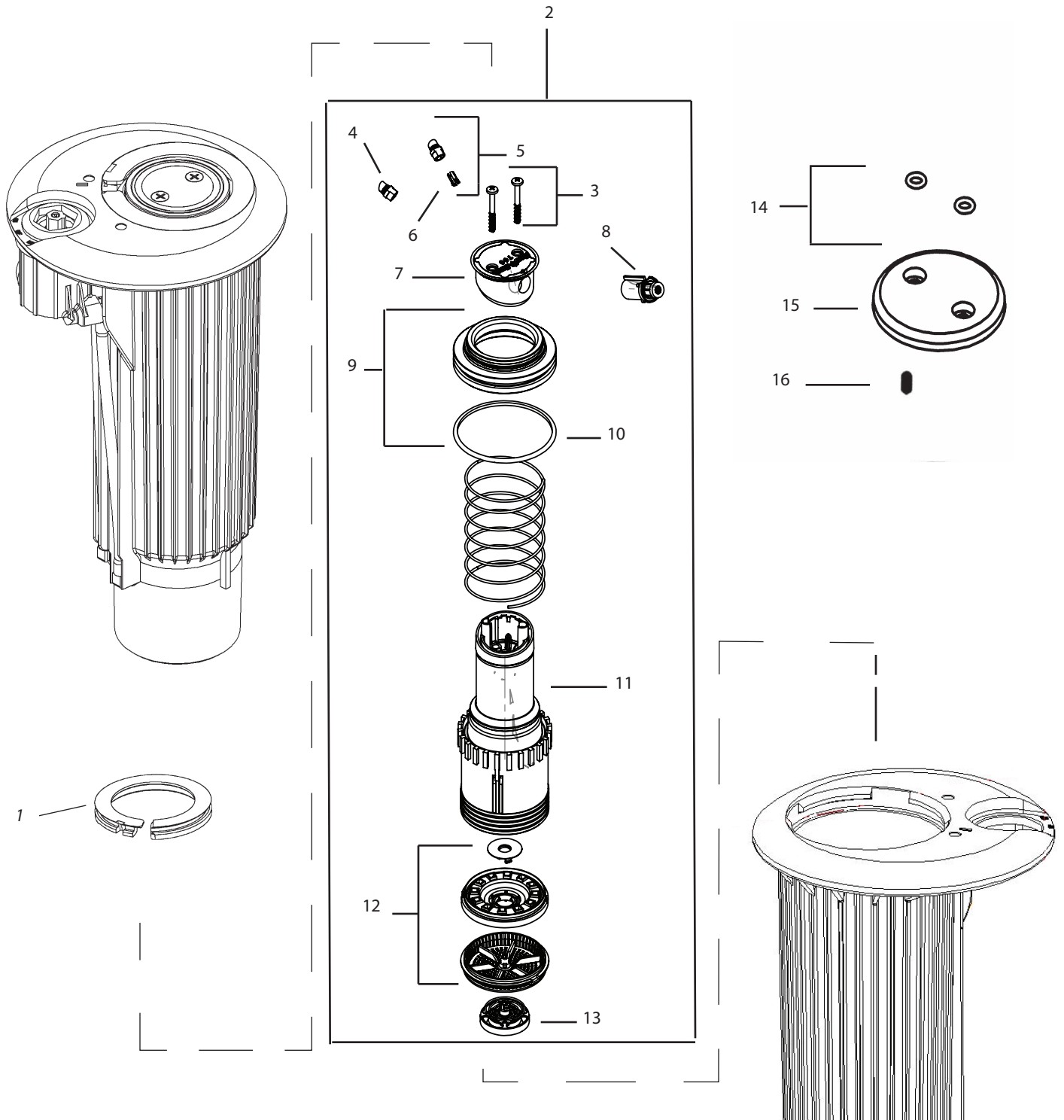
Number Color of Range Nozzle Electric Case Pressure Setting Hyd/SAM
Psi (bars)

		80(5.5)	100(6.9)	120(8.3)	Set per Base Psi*
#48	Blue	6	7	8	6 - 8
#57	Yellow	8	9	10	8 - 10
#63	Orange	10	11	12	10 - 12
#66	Green	12	13	14	12 - 14

* Factory stator set for 80psi base pressure

Note: Stator settings to a lower number than factory will speed up rotation speed and shorten radius. Stator settings to a larger number than factory will slow rotation speed or cause non-rotation.

Note: Part numbers enclosed in brackets () are not available individually, but may be sold in assemblies or kits.



Note: Part numbers enclosed in brackets () are not available individually, but may be sold in assemblies or kits.

RAIN BIRD 700 INTERNAL ASSEMBLY

Ref. Part Description	Otv.	700-E/IC	700-S/H	700B
SNAP RINGS				
1 Snap Cover	1	21192101	21192101	21192101
INTERNAL ASSEMBLY				
2 Rain Bird 700 Internal Assembly (A) (B)	1	214700xx	214700xx	214600xx
NOZZLE HOUSING AND NOZZLES				
3 700 / 751 Nozzle Housing Screw	2	214754	214754	214754
4 Blue Spreader Nozzle Standard (C)	1	211562	211562	211562
5 Black with White Diffuser Standard (C)	1	211452	211452	211452
6 White Diffuser	1	213703	213703	213703
7 700 Nozzle Housing Less Nozzles	1	213710	213710	213710
8 Range Nozzle and O-ring Assembly (A)	1	213700xx	213700xx	213700xx
BEARING GUIDE / MOTOR ASSEMBLY				
9 Bearing Guide Assembly, Standard	1	211147	—	—
9 Bearing Guide Assembly, Low Flow	1	—	211263	211263
10 Bearing Guide O-ring	1	211242	211242	211242
11 Rain Bird 700 Riser Motor Assembly	1	21470000	21470000	21470000
12 700 / 750 / 751 Stator / Screen Kit	1	21040301	21040301	21040301
13 SAM Screen Kit Block Models	1	—	—	211292
17 Pop-up Seal (White)	1	210399	210399	210399
KITS AND ACCESSORIES				
1 Snap Cover, Yellow	1	21192102	21192102	21192102
1 Snap Cover, White	1	21192103	21192103	21192103
1 Snap cover, Purple	1	21192104	21192104	21192104
- Sod Cup Kit	1	212613	212613	212613
DIFFUSER SCREW				
16 700 / 751 Diffuser Screw Only	1	214757	214757	214757

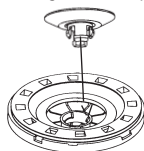
- (A) Specify Nozzle Size when ordering. Available in # 28, 32, 36, 40, 44, or 48.
- (B) For Non-Potable applications, use standard part and purple snap ring (Part # 21192104)
- (C) Optional Spreader Nozzles 213701 (Green), 213702 (Orange), 213705 (Blue w/Diffuser), 212291 (Red), and 211417 (Black)

Stator / Poppet Configurations - Dual Spreader

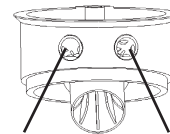
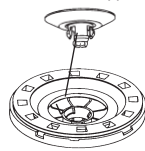
Color	Number	Electric Pressure Setting				Hyd, SAM, B
		psi (bars)				
		60 (4,1)	70 (4,8)	80 (5,5)	100 (6,9)	
White	#28	SPC	SPC	SPC	SPC	SPC
Blue	#32	SPO	SPO	SPO	SPO	SPO
Yellow	#36	SPO	SPO	SPO	SPO	SPO
Orange	#40	SNP	SNP	SNP	SNP	SNP
Green	#44	SNP	SNP	SNP	SNP	SNP
Black	#48	N/R	SNP	SNP	SPR	SNP

SPC = Stator with Poppet Closed
 SPO = Stator with Poppet Open
 SNP = Stator No Poppet
 SO = Screen Only
 SPR = Spacer and Screen
 N/R = Not a Recommended Pressure and Nozzle Setting

Stator with Poppet Closed
Should be tight when snapped in



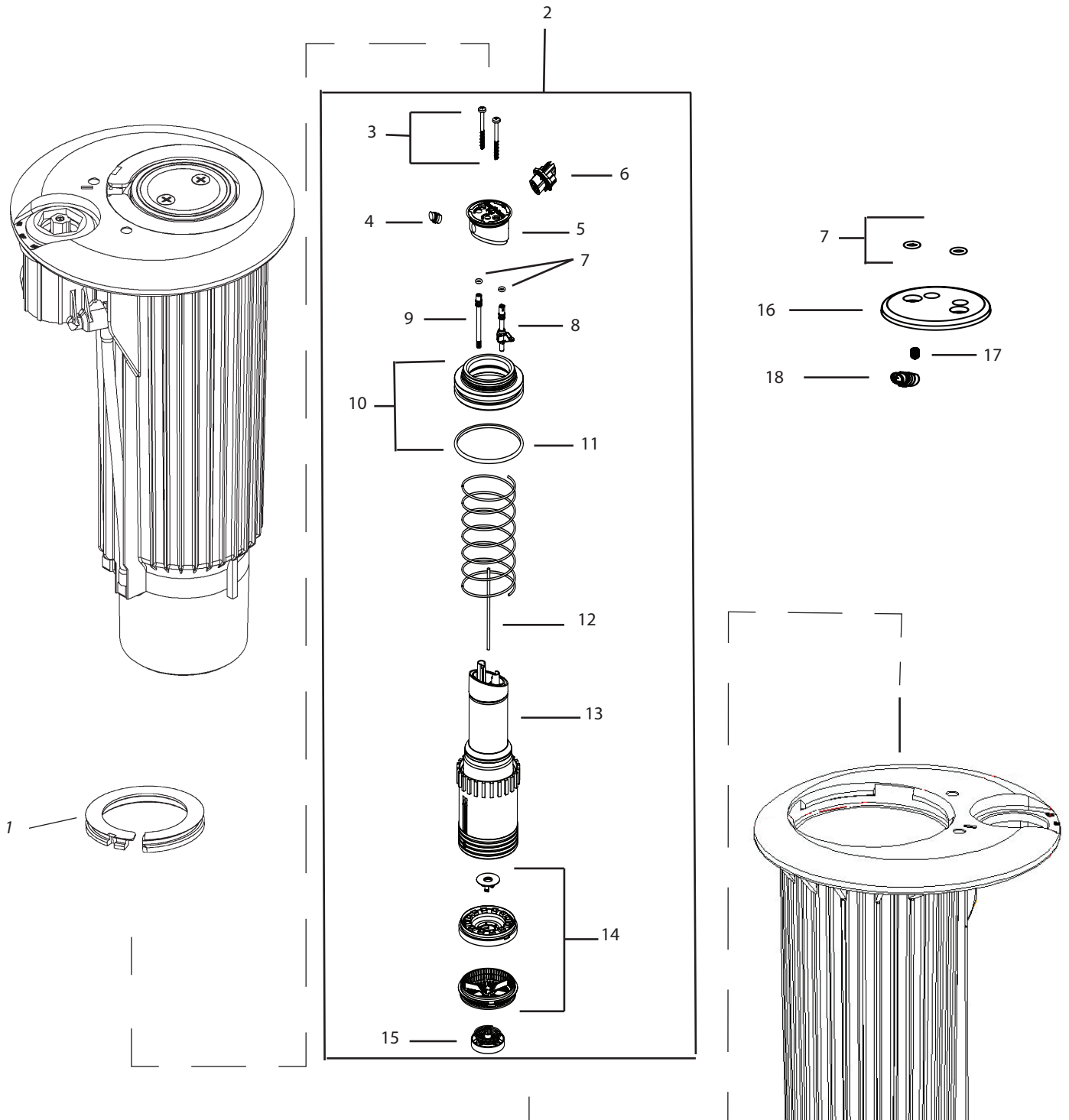
Stator with Poppet Open
Should be loose when snapped in



Mid-Range nozzle (9A) Close-In nozzle (9B)

Dual Spreader:	#28-36 Blue Part No.: 211562 #40-48 Black w/o insert Part No.: 211417	Always Black With White Cascade Insert Part No.: 211452
Cascade:	Plugged Part No.: 211593	With White Cascade Insert Always Black Part No.: 211452
Original:	Black w/o insert Part No.: 211417	Plugged Part No.: 211593

Note: Part numbers enclosed in brackets () are not available individually, but may be sold in assemblies or kits.



Note: Part numbers enclosed in brackets () are not available individually, but may be sold in assemblies or kits.

RAIN BIRD 551 / 751 INTERNAL ASSEMBLY

Ref.	Part Description	Qty.	E/C	S/H	B
SNAP RINGS					
1	Snap Cover	1	21192101	21192101	21192101
INTERNAL ASSEMBLY					
2	Rain Bird Internal Assembly (A) (B)	1	214751xx	214751xx	214651xx
NOZZLE HOUSING AND NOZZLES					
3	Nozzle Housing Screw	2	214754	214754	214754
4	Nozzle plug	1	211593	211593	211593
5	Nozzle Housing Less Nozzle	1	213760	213760	213760
6	Standard Range Nozzle and O-Ring Assembly (C)	1	213750xx	213750xx	213750xx
6	Short Throw Range Nozzle and O-Ring Assembly (D)	1	213751xx	213751xx	213751xx
7	O-Ring (Cover, Adjust, & Lever)	2	211236	211236	211236
8	FC/PC Arm-Lever Assembly	1	214752	214752	214752
9	Arc Adjust Stem	1	210420	210420	210420
BEARING GUIDE / MOTOR ASSEMBLY					
10	Bearing Guide Assembly, Standard	1	211147	—	—
10	Bearing Guide Assembly, Low Flow	1	—	(211263)	(211263)
11	Bearing Guide O-ring	1	211242	211242	211242
12	FC-PC Trip Rod	1	214753	214753	214753
13	Rain Bird 751 Riser Motor Assembly	1	21475100	21475100	21475100
14	Stator/Screen Kit	1	21040301	21040301	21040301
15	SAM Screen Kit Block Models	1	—	—	211292
19	Pop-up Seal (White)	1	(201399)	(201399)	(201399)
KITS AND ACCESSORIES					
1	Snap Cover, Yellow	1	21192102	21192102	21192102
1	Snap Cover, White	1	21192103	21192103	21192103
1	Snap cover, Purple	1	21192104	21192104	21192104
-	Sod Cup Kit	1	212613	212613	212613
DIFFUSER SCREW					
17	Diffuser Screw Only	1	214757	214757	214757
SPREADER NOZZLES					
18	Rear Spreader Nozzles	1	(E)	(E)	(E)

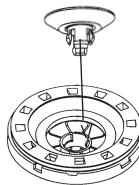
- (A) Specify Nozzle Size when ordering. Available in # 20, 22, 28, 32, 36, 40, 44, or 48.
- (B) For Non-Potable applications, use standard part and purple snap ring (Part # 21192104)
- (C) Specify Nozzle Size (28, 32, 36, 40, 44, or 48)
- (D) Sprcify Nozzle Size (22 or 24)
- (E) Optional Spreader Nozzles 213701 (Green), 213702 (Orange), 213705 (Blue w/Diffuser), 212291 (Red), and 211417 (Black)

Stator / Poppet Configurations - Dual Spreader

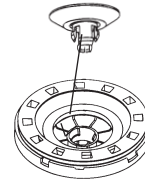
Color	Number	Electric Pressure Setting				Hyd, SAM, B
		psi (bars)				
		60 (4,1)	70 (4,8)	80 (5,5)	100 (6,9)	
Gray	#20	S4	S4	S4	S4	S4
Red	#22	S8	S8	S8	S8	S8
White	#28	SPC	SPC	SPC	SPC	SPC
Blue	#32	SPO	SPO	SPO	SPO	SPO
Yellow	#36	SPO	SPO	SPO	SPO	SPO
Orange	#40	SNP	SNP	SNP	SNP	SNP
Green	#44	SNP	SNP	SNP	SNP	SNP
Black	#48	N/R	SNP	SNP	SPR	SNP

S4 = 4 Hole S8 = 8 Hole
 SPC = Stator with Poppet Closed SO = Screen Only
 SPO = Stator with Poppet Open SPR = Spacer and Screen
 SNP = Stator No Poppet N/R = Not a Recommended Pressure and Nozzle Setting

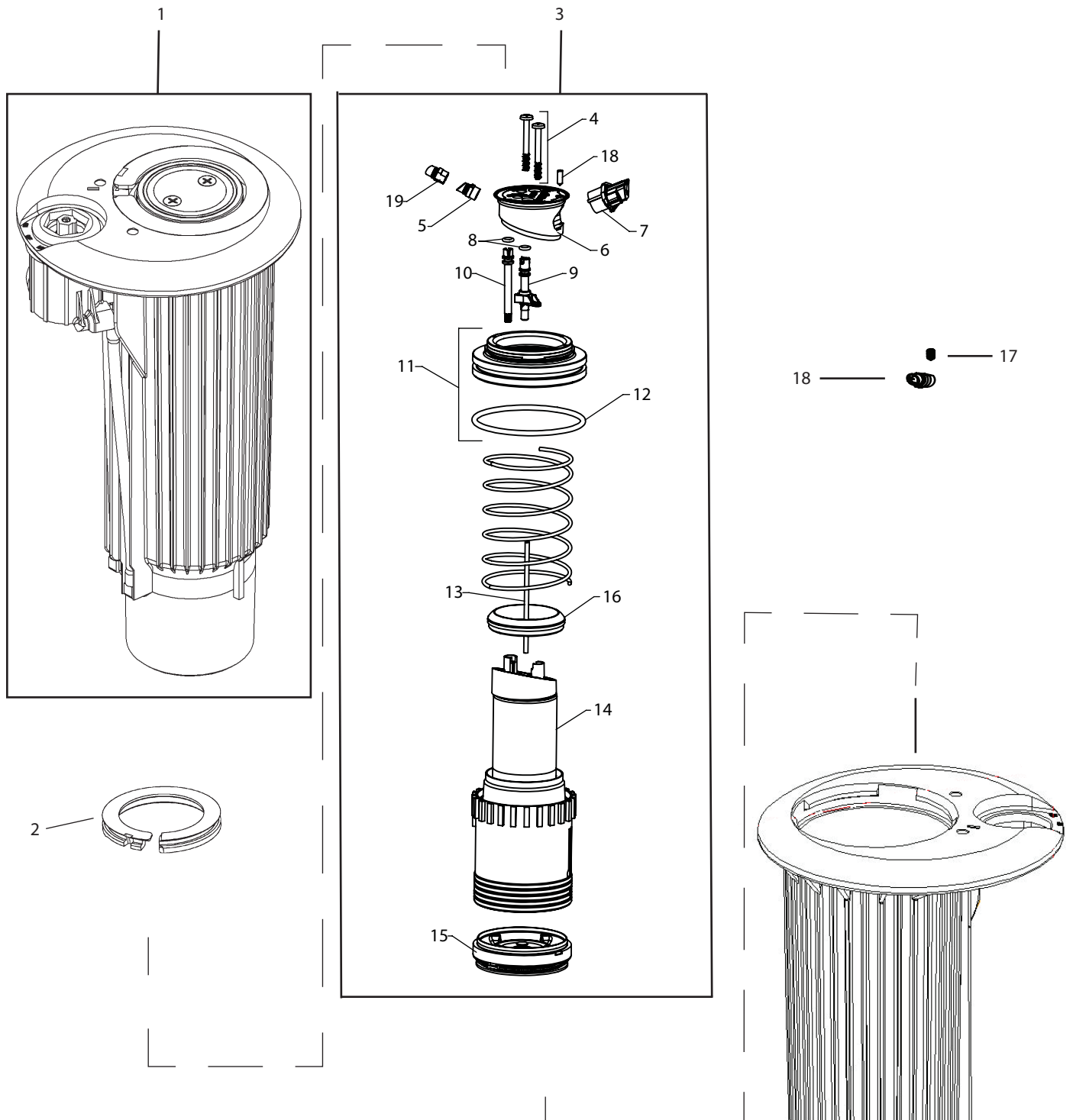
Stator with Poppet Closed
Should be tight when snapped in



Stator with Poppet Open
Should be loose when snapped in



Note: Part numbers enclosed in brackets () are not available individually, but may be sold in assemblies or kits.



Note: Part numbers enclosed in brackets () are not available individually, but may be sold in assemblies or kits.

Ref.	Part Description	Qty.	752-E, IC
1	Case Assembly		
SNAP RINGS			
2	Snap Cover (Excluding BRC)	1	21192101
INTERNAL ASSEMBLY			
3	Rain Bird 752 Internal Assembly (A) (B)	1	215752xx
NOZZLE HOUSING AND NOZZLES			
4	Nozzle Housing Screw	2	215003
5	Nozzle plug	1	211593
6	Nozzle Housing Less Nozzle	1	215760
7	Standard Range Nozzle and O-Ring Assembly (C)	1	213750xx
7	Short Throw Range Nozzle and O-Ring Assembly (D)	1	213751xx*
8	O-Ring (Cover, Adjust, & Lever)	2	211236
9	FC/PC Arm-Lever Assembly	1	214752
10	Arc Adjust Stem	1	210420
BEARING GUIDE / MOTOR ASSEMBLY			
11	Bearing Guide Assembly, Standard	1	211147
11	Bearing Guide Assembly, Low Flow	1	—
12	Bearing Guide O-ring	1	211242
13	FC-PC Trip Rod	1	214753
14	Rain Bird 752 Riser Motor Assembly	1	21575200
15	Self-Adjusting Stator Kit	1	21500000
16	Pop-up Seal (White)	1	(201399)
KITS AND ACCESSORIES			
2	Snap Cover, White	1	21192103
2	Snap cover, Purple	1	21192104
DIFFUSER SCREW			
17	Diffuser Screw Only	1	214757
SPREADER NOZZLES			
18	Rear Spreader Nozzles	1	(E)

(A) Specify Nozzle Size when ordering. Available in # 18, 20, 22, 24, 26, 28, 32, 36, 40, 44, 48, 50.

(B) For Non-Potable applications, use standard part and purple snap ring (Part # 21192104)

(C) Specify Nozzle Size (28, 32, 36, 40, 44, 48, 50)

(D) Specify Nozzle Size (18, 20, 22, 24, 26)

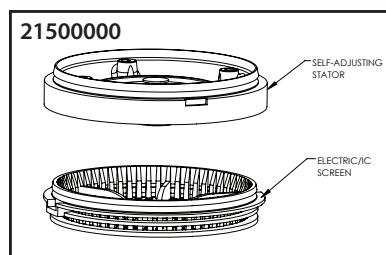
(E) Optional Spreader Nozzles 211417 (Black), 211452 (Black w/Diffuser), 211562 (Blue), 212291 (Red), 213701 (Green), 213702 (Orange), and 213705 (Blue w/Diffuser)

* Requires low-flow valve in case assembly

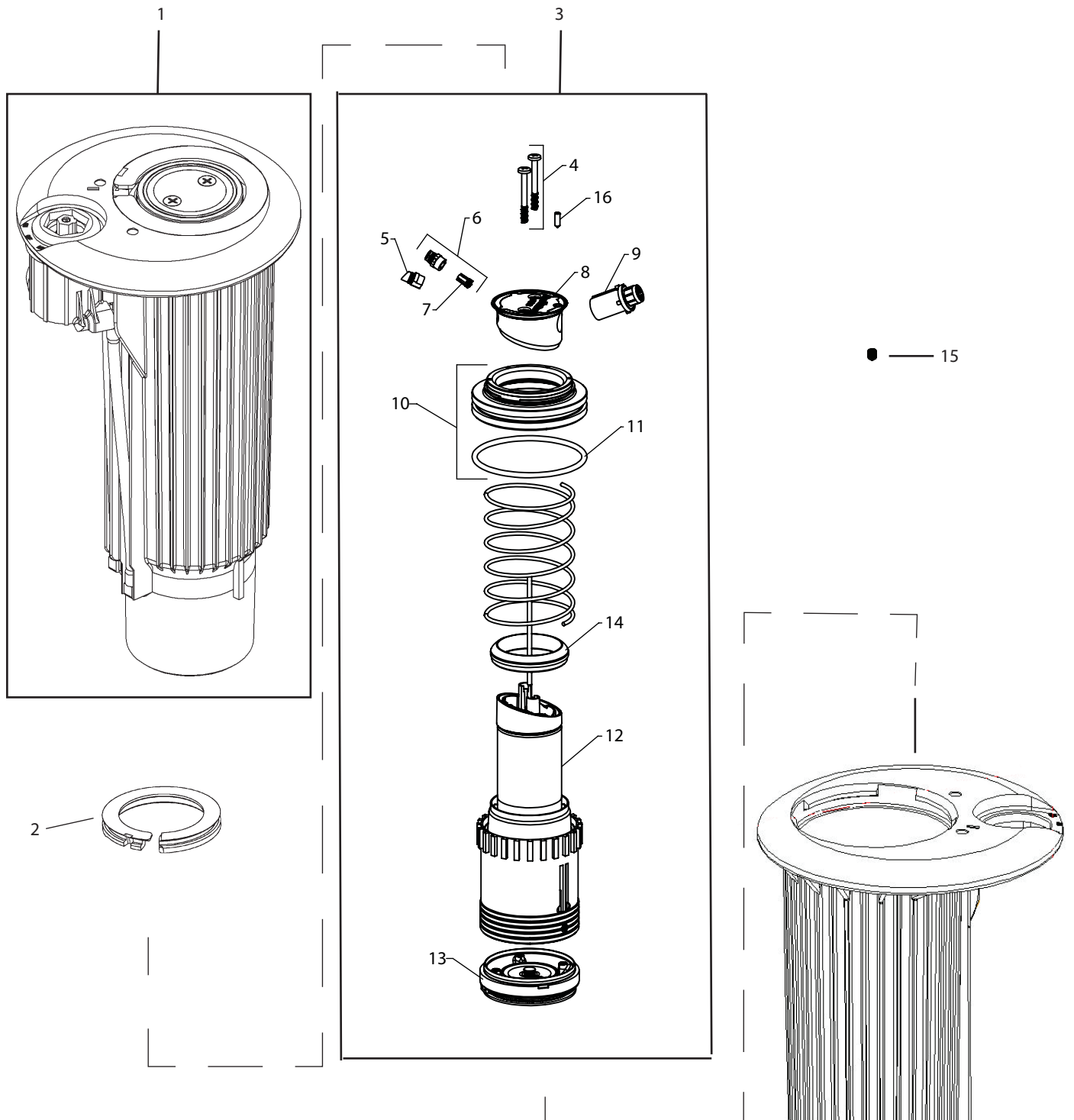
Stator Configuration Settings

Model	Nozzle	Pressure	Electric	IC
752	Any	Any	SAS	SAS

SAS = Self Adjusting Stator



Note: Part numbers enclosed in brackets () are not available individually, but may be sold in assemblies or kits.



Note: Part numbers enclosed in brackets () are not available individually, but may be sold in assemblies or kits.

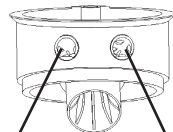
Ref.	Part Description	Qty.	702-E, IC
1	Case Assembly		
SNAP RINGS			
2	Snap Cover (Excluding BRC)	1	21192101
INTERNAL ASSEMBLY			
3	Rain Bird 702 Internal Assembly (A) (B)	1	215702xx
NOZZLE HOUSING AND NOZZLES			
4	Nozzle Housing Screw	2	215003
5	Blue Spreader Nozzle Standard (C)	1	211562
6	Black with White Diffuser Standard (C)	1	211452
7	White Diffuser	1	213703
8	702 Nozzle Housing Less Nozzles	1	215710
9	Range Nozzle and O-Ring Assembly (A)	1	213700xx
BEARING GUIDE / MOTOR ASSEMBLY			
10	Bearing Guide Assembly, Standard	1	211147
10	Bearing Guide Assembly, Low Flow	1	—
11	Bearing Guide O-ring	1	211242
12	Rain Bird 702 Riser Motor Assembly	1	21570200
13	Self-Adjusting Stator Kit - Electric	1	21500000
14	Pop-up Seal (White)	1	(201399)
DIFFUSER SCREW			
15	Diffuser Screw Only	1	214757

- (A) Specify Nozzle Size when ordering. Available in # 28, 32, 36, 40, 44, 48.
- (B) For Non-Potable applications, use standard part and purple snap ring (Part # 21192104)
- (C) Optional Spreader Nozzles 213701 (Green), 213702 (Orange), 213705 (Blue W/Diffuser), 211417 (Black), and 212291 (Red)

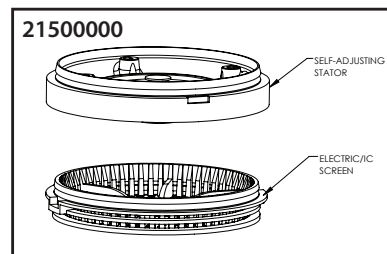
Stator Configuration Settings

Model	Nozzle	Pressure	Electric	IC
702	Any	Any	—	—

SAS = Self Adjusting Stator



	Mid-Range nozzle	Close-In nozzle
Dual Spreader:	#28-36 Blue Part No.: 211562 #40-48 Black w/o insert Part No.: 211417	Always Black With White Cascade Insert Part No.: 211452
Cascade:	Plugged Part No.: 211593	With White Cascade Insert Always Black Part No.: 211452
Original:	Black w/o insert Part No.: 211417	Plugged Part No.: 211593



Note: Part numbers enclosed in brackets () are not available individually, but may be sold in assemblies or kits.