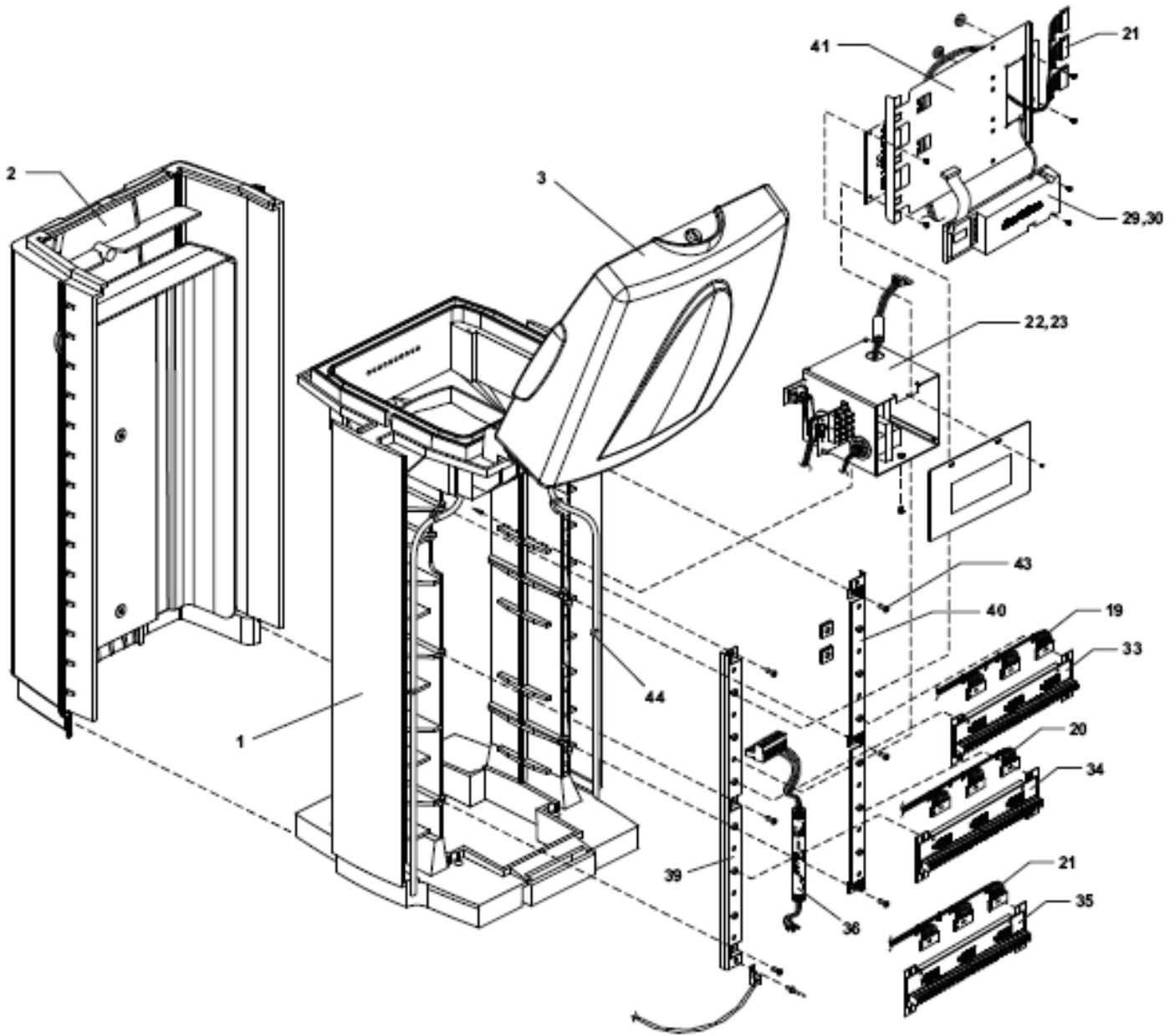


Note: Part numbers enclosed in brackets ( ) are not available individually, but may be sold in assemblies or kits.

CONTROLLER ASSEMBLY WITH PEDESTAL (PAR+ES)



Note: Part numbers enclosed in brackets ( ) are not available individually, but may be sold in assemblies or kits.

Ref.	Part Description	Qty.	PAR+ES
1	PLASTIC PEDESTAL SUB-ASSY, RP GRAY	1	H44011
2	Door RP Sub-Assy RP	2	(63671902)
3	LID RP Sub-Assy	1	(63671802)
4	Lock, Notched Cam	1	636709S
5	Plate, Lock, SST	1	(636743)
6	Bracket, Hinge, SST. Left	1	(63547001)
7	Bracket, Hinge, SST. Right	1	(63547002)
8	PEDESTAL MOUNTING KIT	1	635780
9	Bag, Poly 6 X 8	1	(601846)
10	Bag, Poly 15 X 24	1	(63230801)
11	Mounting Template	1	(635233)
12	Anchor Bolt	4	(63525802)
13	Label, Bolt. PPED, Template	1	(635824)
14	Washer 5/16 Lock-Spring	4	(65002907)
15	Nut, Hex 5/16	8	(65003307)
16	Washer Flat 5/16 Type B	4	(652181)
17	MANUAL, INSTALLATION PAR+ES	1	(635778)
18	MANUAL, OPERATION PAR+ES	1	(635777)
19	HARNESS ASSY TERMINAL BOARD STA 1-24	1	(H60331)
20	HARNESS ASSY TERMINAL BOARD STA 25-48	1	(H60341)
21	HARNESS ASSY TERMINAL BOARD STA 49-72	1	(H60351)
22	POWER SUPPLY SUBASSY, PAR+/MSC+	1	63522401
23	POWER SUPPLY SUBASSY, PAR+/MSC+ LINK	1	(63522402)
24	Label, Instruction PART+ES	1	635704S
25	CONTROL MODULE ASSY, PAR+	1	63571102
26	IFX Two-wire Board*		H44510
27	IFX Link (Radio) Board**		H44560
28	INTERCONNECT/PWR SUP SUB-ASSY	1	63322603
29	ASSY, OSM PAR/MSC+	2 - 9	(HA0100)
30	ASSY, OSM PAR/MSC+ /W SW	2 - 9	HA0200
31	Plate, OSM Sub-Assy (A)	1	(63522502)
32	Bezel Plastic Sub-Assy	1	(635229)
33	BRACKET-BOARD ASSY, STA 1-24	1	H60311
34	BRACKET-BOARD ASSY, STA 25-48	1	H60321
35	BRACKET-BOARD ASSY, STA 49-72	1	H60361
36	TWO-WIRE PIPE SUB-ASSY	1	(D02110)
37	ANTENNA PANEL ASSY	1	(H41006)
38	ANTENNA 450-470MHZ	1	H60140
39	Rail Mounting Left Steel (A)	1	(635540S)
40	Rail Mounting Right Steel (A)	1	(635541S)
41	PAR+ES UPGRADE KIT	1	HP5050
42	Screw #10-16PN HD	4	(65218820)
43	Screw, Phillips PNH	14	(65218848)
44	Twist Lock	2	(651567)
45	Tubing, Rubber 5/8"	2	(63664701)
46	Terminal Block Two-Wire (A)	1	(651501S)
47	DIB BRACKET ASSY	1	(635867)
48	DECODER INTERFACE BOARD (DIB)	1	636104S

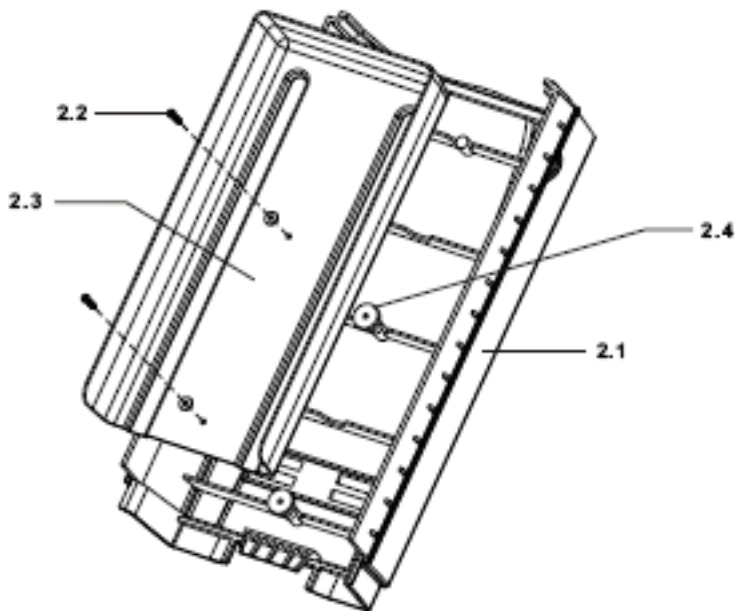
\* Compatible with all MSC+, PAR+ and PAR+ES Satellites.

\*\* Compatible with all PAR+ES Link Satellites

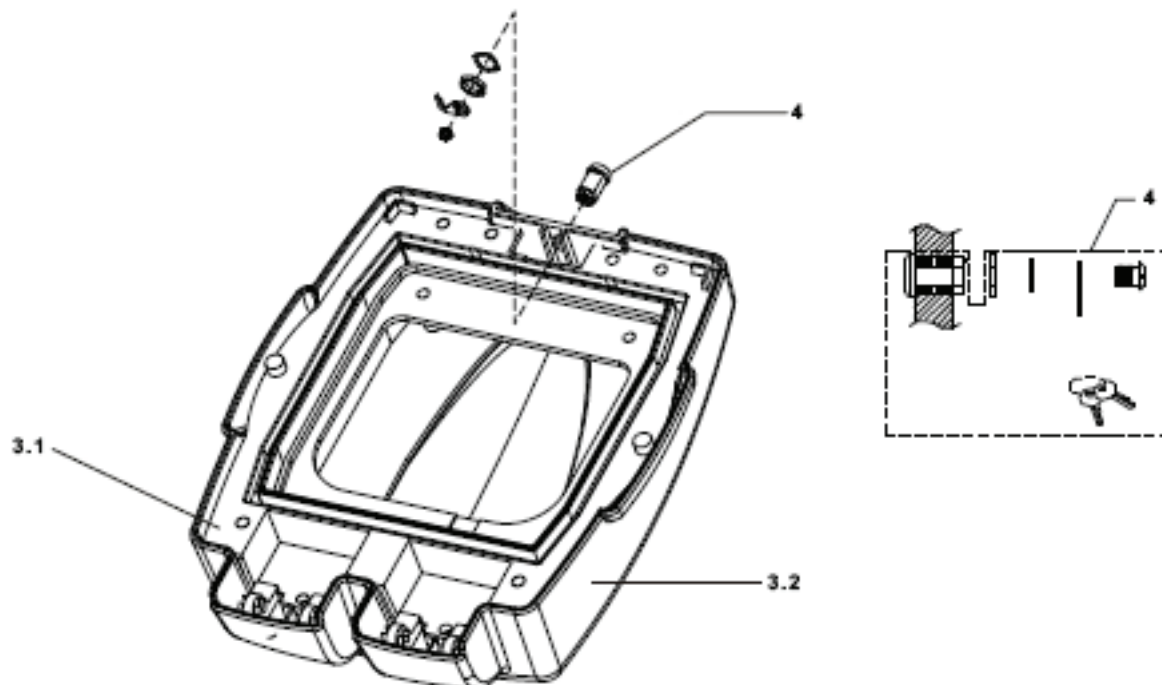
(A) Product is available through the Production & Service Center (gsplabrequests@rainbird.com).

Note: Part numbers enclosed in brackets ( ) are not available individually, but may be sold in assemblies or kits.

CONTROLLER ASSEMBLY WITH PEDESTAL (PAR+ES)

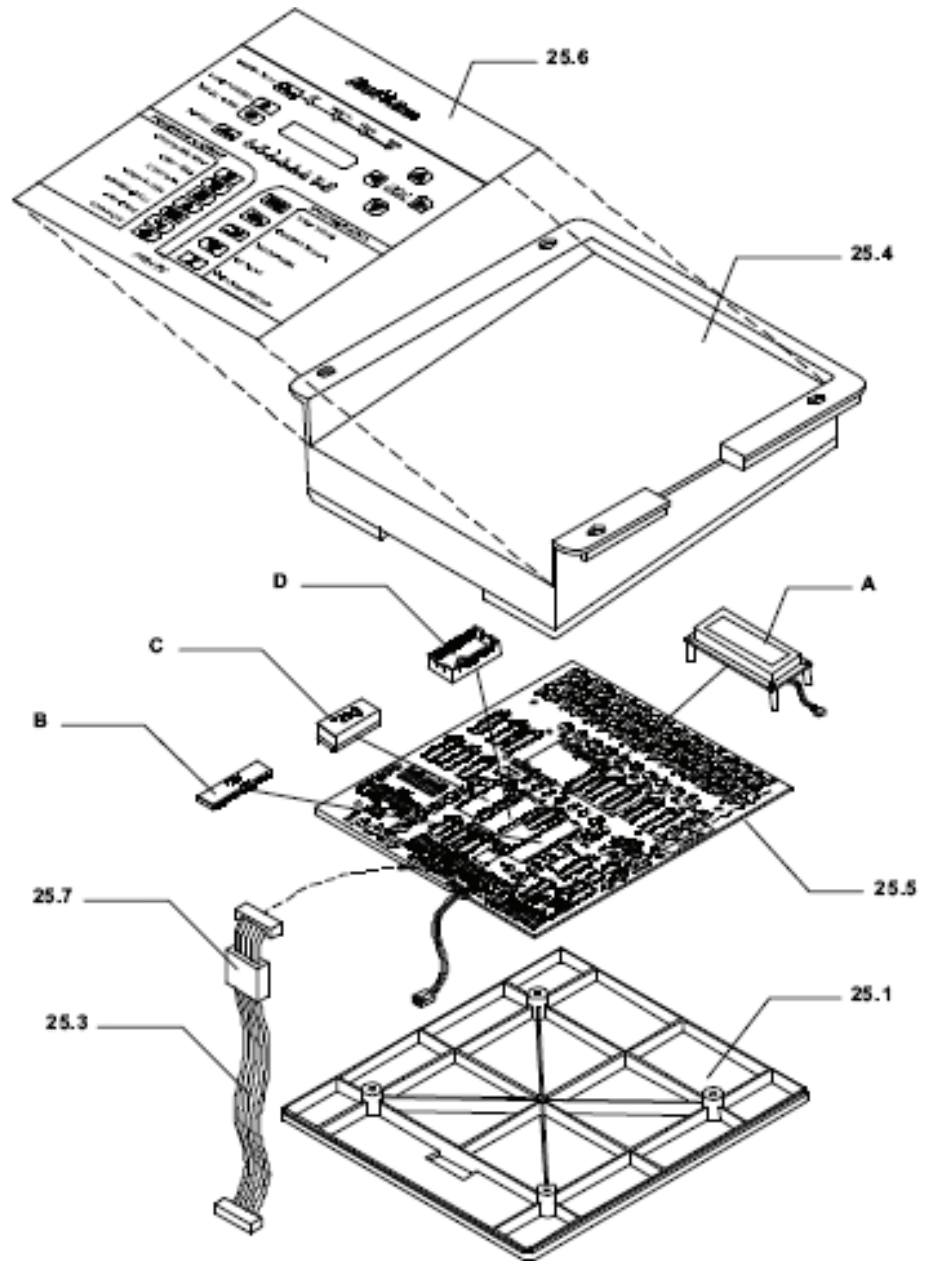


Ref.	Part Description	Qty.	PAR+ES
2	DOOR RP SUB-ASSY RP		(636719)
2.1	Door, Plastic Pedestal	1	(63671902)
2.2	Screw	2	(652281010)
2.3	Inner Door Shield		(636939010)
2.4	Inner Door Spacer		(636940010)



Ref.	Part Description	Qty.	PAR+ES
3	LID RP SUB-ASSY		
3.1	Lid, Inner, Plastic Pedestal	1	(63671702)
3.2	Lid, Outer, Plastic Pedestal	1	(63671802)
4	Lock, Notched Cam	1	636709S

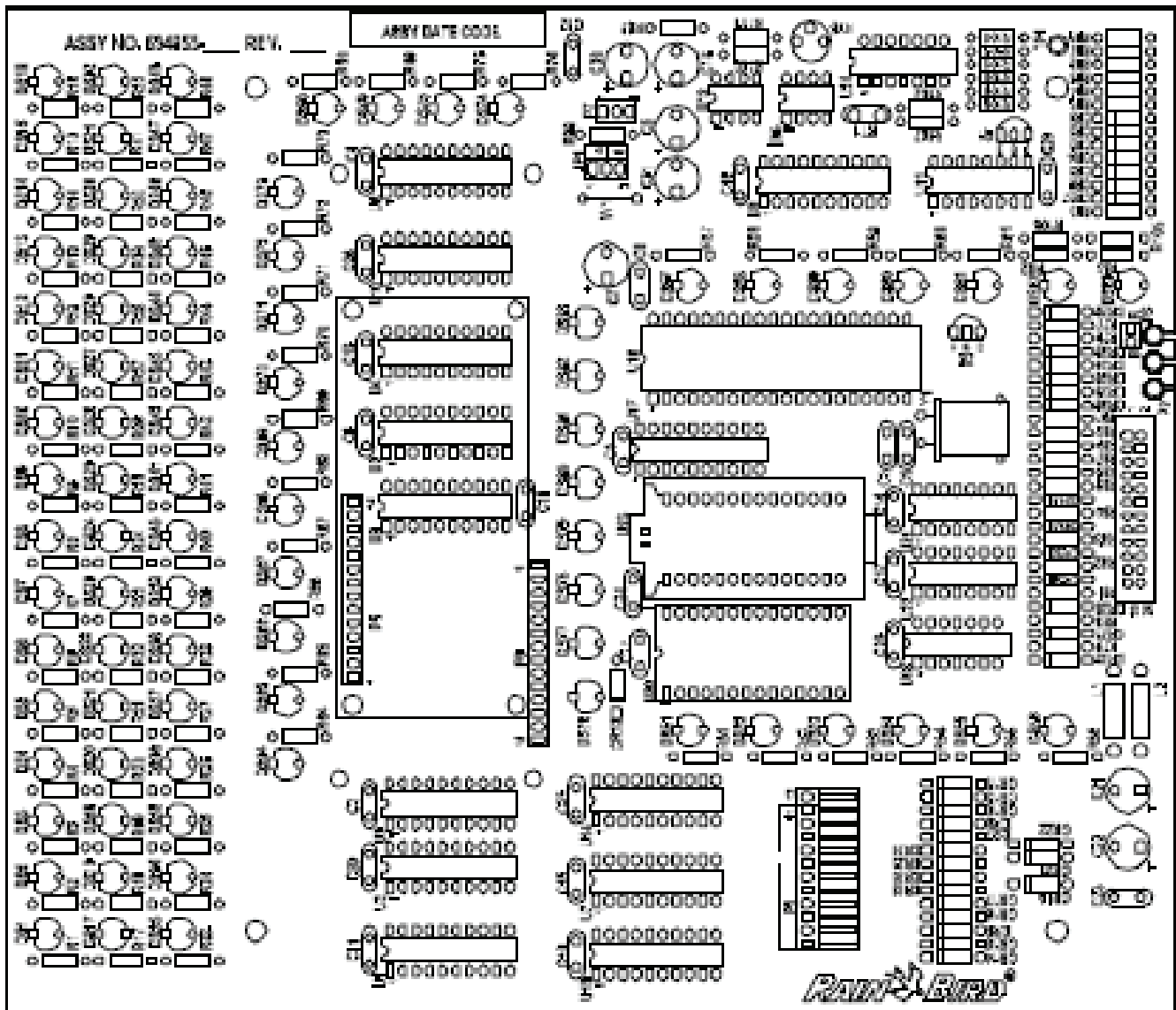
Note: Part numbers enclosed in brackets ( ) are not available individually, but may be sold in assemblies or kits.



<b>Ref.</b>	<b>Part Description</b>	<b>Qty.</b>	<b>PAR+ES</b>
<b>25 CONTROL MODULE ASSY, PAR+ES</b>			
25.1	Assy, Cont. Mod cover PAR+/MSC+	1	(63571101)
25.2	Screw 7-19X1/2 Hilo RC-7	4	(63488803)
25.3	Harness Assy, Cable-PAR/MSC+	1	(622922)
25.4	Panel, Front-PAR/MSC+	1	633176
25.5	PAR+ES PWB Assy Main Logic Board	1	(633201)
A	LCD Backlight Assy PAR+/PAR+ES	1	63495505
B	IC, Microcontroller, 80C32	1	635308
C	IC, Clock and 64K Ram, DS1243Y	1	(651031)
D	Soket IC Carrier 2 28PIN	1	650718
			(65062210)
25.6	Overlay, Membrane Switch, PAR+ES	1	63706
25.7	Ferrite, Flat Cable Snap-It	1	(651612)

Note: Part numbers enclosed in brackets ( ) are not available individually, but may be sold in assemblies or kits.

CONTROLLER ASSEMBLY WITH PEDESTAL (PAR+ES)

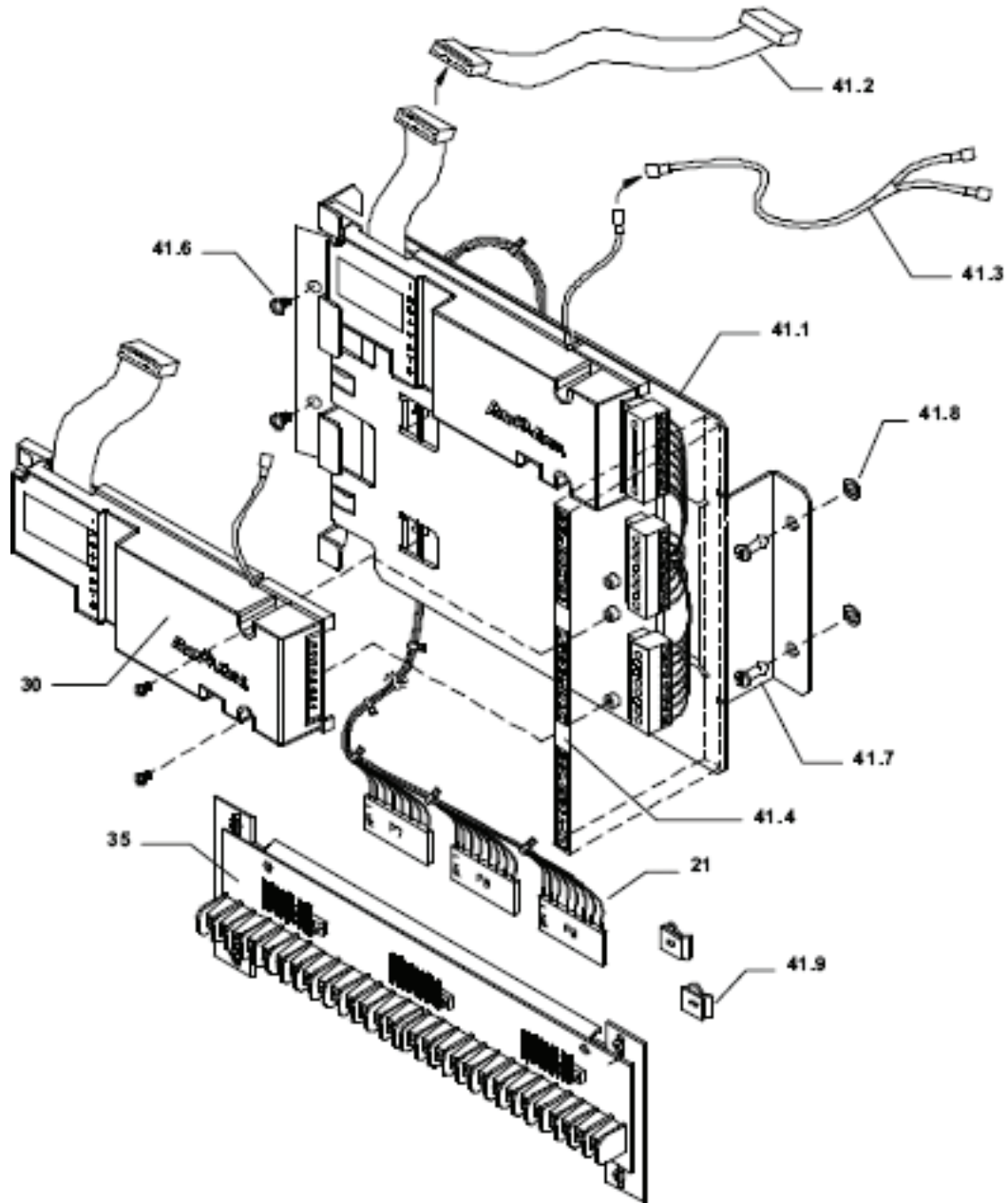


Note: Part numbers enclosed in brackets ( ) are not available individually, but may be sold in assemblies or kits.

Ref.	Part Description	Qty.	PAR+ES
25.5	MAIN LOGIC PWB ASSEMBLY PAR+ES		63495505
P3	Harness Assy Plug F/P Light	1	(635152)
(P5)	LCD Backlight Assy, PAR+	1	635308
U23	S/W M/Assy, M/L BRD V10	1	(635708)
C1, C2	Capacitor CER Disc, 50V (MIN)1PFTO8200	2	(65001215)
C25-29, 12, 29, 23, 24	Capacitor CER 0.1MF 50V	14	65001345
CR7-13	Diode IN4148	7	65003701
CR14-38, CR1-6	Diode Zener 1N5231B 5.1V	31	(65003870)
R92	Resistor 1/4W 10% 4.7 OHM	1	(65007917)
R108	Resistor 1/4W 10% 100 OHM	1	(65007949)
R109	Resistor 1/4W 10% 220 OHM	1	(65007957)
R93-98, R78-84, R86-91	Resistor 1/4W 10% 330 OHM	19	(65007961)
R64-75	Resistor 1/4W 10% 560 OHM	12	(65007967)
R77, R85	Resistor 1/4W 10% 2.7 K	2	(65007983)
R99	Resistor 1/4W 10% 4.7 K	1	(65007989)
R105	Resistor 1/4W 10% 5.6 K	1	(65007991)
R100-104	Resistor 1/4W 10% 10 K	5	(65007997)
R106	Resistor 1/4W 10% 22 K	1	65008006
R107	Resistor 1/4W 10% 39 K	1	(65008012)
R110, 111	Resistor 1/4W 10% 100 K	2	(65008022)
Q2	Transistor, NPN 600MW PN2222	1	(650084)
L1, L2	Inductor Ferrite	2	(65030005)
TP1	Terminal Test PT .067-078	1	(65033601)
U24	IC, Quad OP AMP LM324	1	(650358)
Q1	Transistor PNP 625 MW	1	(650369)
P7	Header, 3 Position 1"	1	(65045403)
(U23)	Socket IC Carrier 28PI	1	(65051802)
P1	Header, .100CTRS, 11CKT, FL RTANG	1	(65053001)
C7, C22	Capacitor 2.2UF 25V Tantalum	2	(65058303)
C6, 13, 30, 31	Capacitor 22UF 25V Tantalum	4	(65058309)
C21	Capacitor 47.0 UF, 25V, Tantalum	1	(65058311)
U19	IC Micropower Monitor & WDT	1	(650585)
U9, 10, 14, 15, 17	IC, 3 State OCT Latch 74HC373	5	(650611)
U18	IC, Nand 2-IN Quad 74HCOO	1	(650612)
U21, 22	IC, Decoder 1-of-8 74HC238	2	(650613)
U20	Socket, DIP, 28POS, Ultra Low Profile	1	(65062210)
W1, (Y1)	Wire, A.I.	4	(65062503)
U11	IC. Decoder 3 to 8 Line DIP16 74HC138	1	(650699)
U20	IC. Clock and 64K Ram DS1243Y	1	650718
Y1	Crystal, 11.0592 MHZ	1	(650721)
R76	POT, 100K OHM 1/4" Single Turn	1	(65073914)
P2	Header, Low Profile 24 POS.	1	(65087224)
DS76, -83, 65, 67, 69, 71	LED, Clear Red Super Bright	12	(650910)
P5, P6	Socket, ELEV Term Strip, 14 CKTS	1	(65102914)
U16	IC, Microcontroller, 80C32	1	(651031)
RT1	Thermistor, 5%, 6.8K, 3980	1	(65114906)
U2	IC, Converter DC/DC Volt (LT 1026)	1	(651455)

Note: Part numbers enclosed in brackets ( ) are not available individually, but may be sold in assemblies or kits.

## CONTROLLER ASSEMBLY WITH PEDESTAL (PAR+ES)

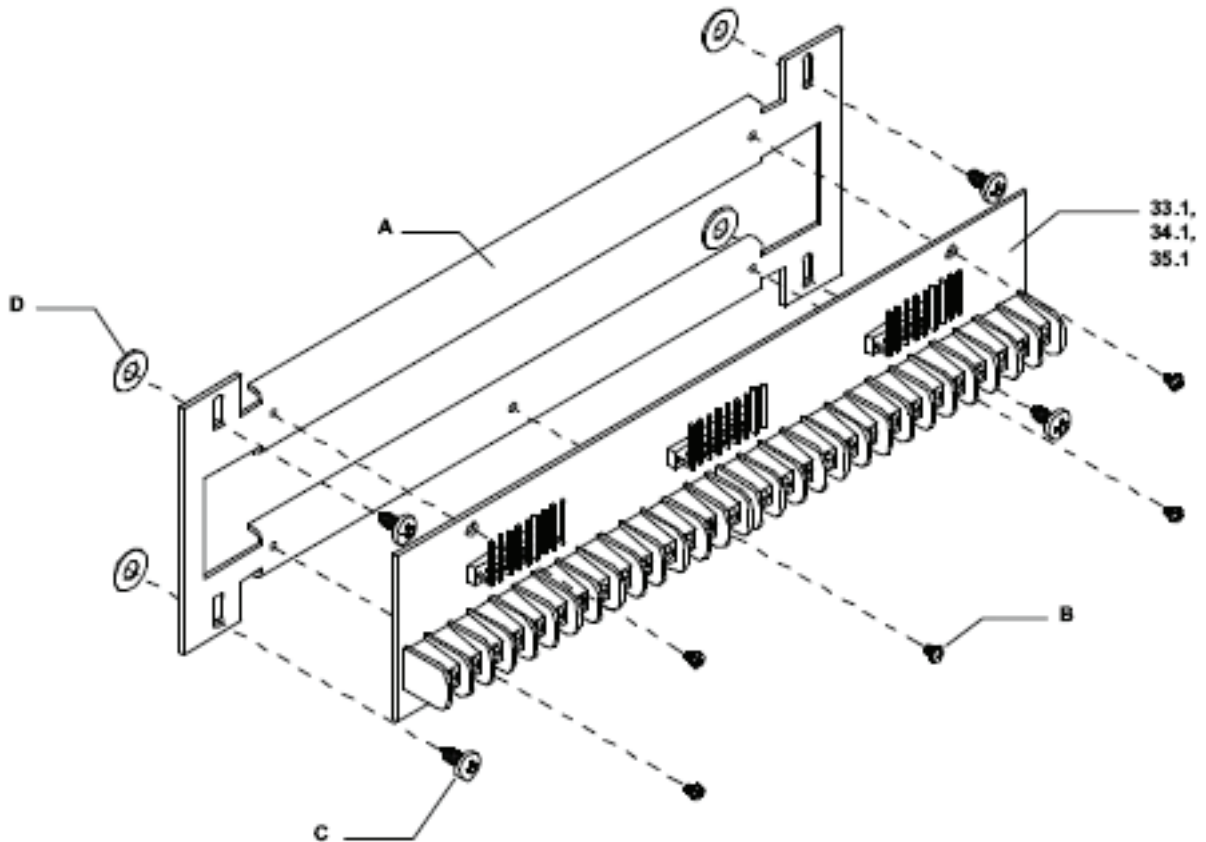


Ref.	Part Description	Qty.	PAR+ES
41	PAR+ES UPGRADE KIT		HP5050
41.1	Bracket, Mounting Steel, 72 STA (A)	1	(635542)
41.2	Cable Harness Assy	1	635569
41.3	Cable Assembly, Y	1	(635599)
41.4	Label, ST I.D., 72 STA	1	(635638)
41.5	Cable Tie, Nylon 7/8 Bundle	2	(650131)
41.6	Screw, Pan HD, #10 X 1/4"	2	(65075457)
41.7	Stud Phillips, Oval Steel	2	(651511)
41.8	Retainer, Black Nylon	2	(651512)
41.9	Receptacle, 1/4 Turn Steel	2	(651597)
21	HARNESS ASSY TERMINAL BRD STA 49-72	1	H60351
35	BRACKET-BOARD ASSY STA 49-72	1	H60361

(A) Product is available through the Production & Service Center ([gsplabrequests@rainbird.com](mailto:gsplabrequests@rainbird.com)).

Note: Part numbers enclosed in brackets ( ) are not available individually, but may be sold in assemblies or kits.



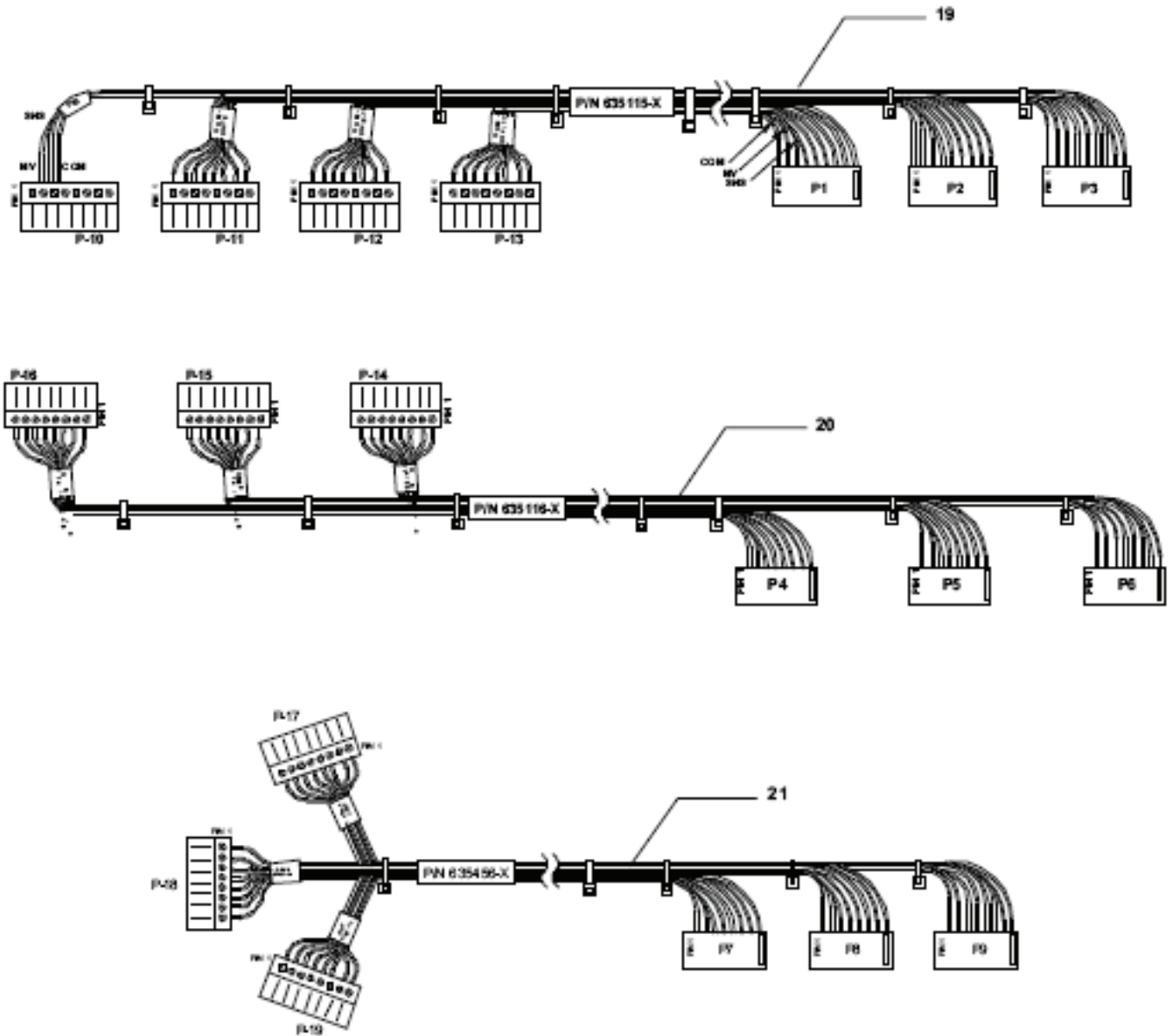


Ref.	Part Description	Qty.	PAR+ES
33	TERMINAL BOARD ASSEMBLY STA 1-24		H60311
33.1	PWB Assy PAR+ Term BRD 1-24 (A)	1	(635121)
A	Plate, Terminal Strip, STE	1	(635217)
B	Screw 6-32 X 3/8	5	(65010528)
C	Screw, Captive Panel PAN	4	(65151706)
D	Washer, Panel Screw Retainer	4	(65151806)
34	TERMINAL BOARD ASSEMBLY STA 25-48		H60321
34.1	PWB Assy PAR+ Term BRD 25-48 (A)	1	(635124)
A	Plate, Terminal Strip, STE	1	(635217)
B	Screw 6-32 X 3/8	5	(65010528)
C	Screw, Captive Panel PAN	4	(65151706)
D	Washer, Panel Screw Retainer	4	(65151806)
35	TERMINAL BOARD ASSEMBLY STA 49-72		H60361
35.1	PWB Assy PAR+ Term Brd 49-72 (A)	1	(635560)
A	Plate, Terminal Strip, STE	1	(635217)
B	Screw 6-32 X 3/8	5	(65010528)
C	Screw, Captive Panel PAN	4	(65151706)
D	Washer, Panel Screw Retainer	4	(65151806)

(A) Product is available through the Production & Service Center (gsplabrequests@rainbird.com).

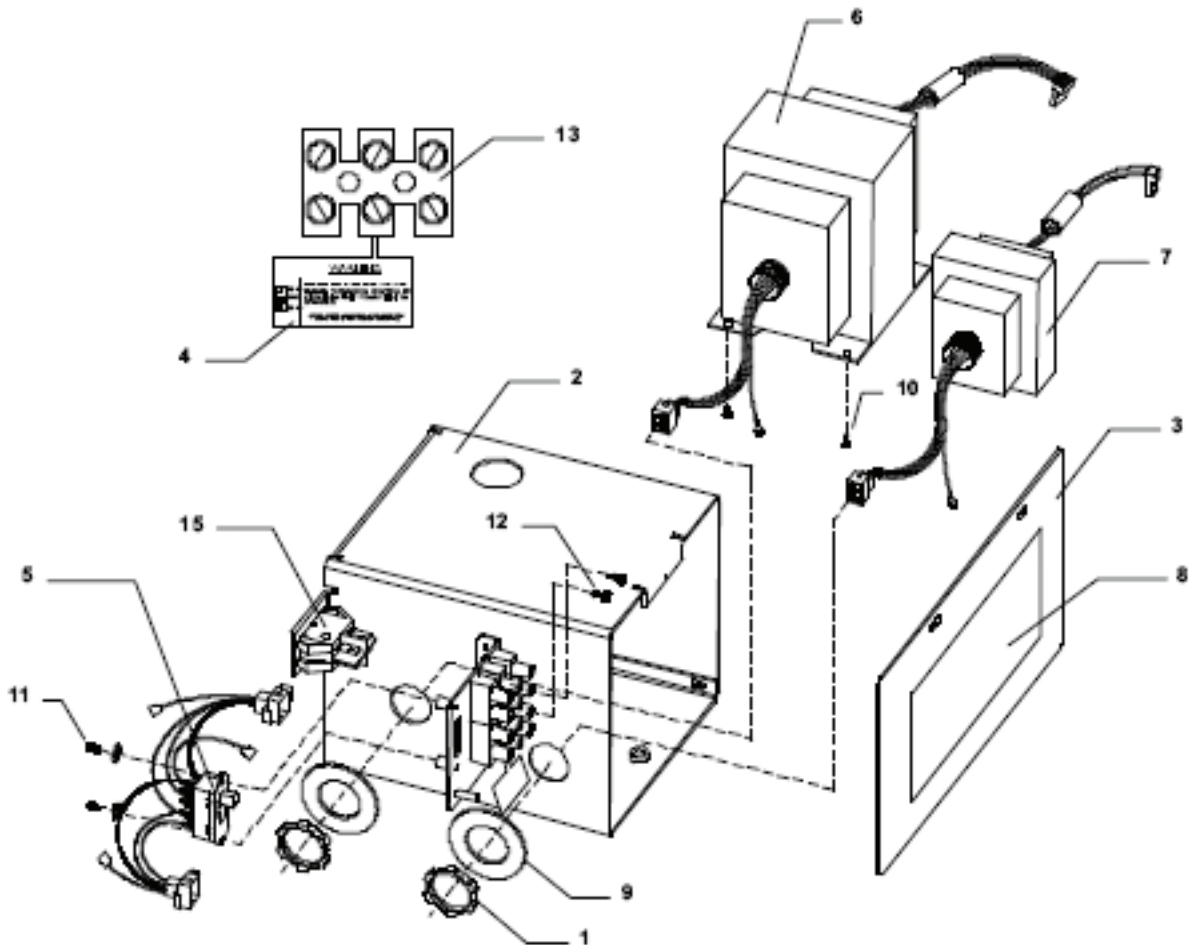
Note: Part numbers enclosed in brackets ( ) are not available individually, but may be sold in assemblies or kits.

CONTROLLER ASSEMBLY WITH PEDESTAL (PAR+ES)



Ref.	Part Description	Qty.	PAR+ES
19	HARNESS ASSY TERMINAL BOARD STA 1-24	1	(H60331)
20	HARNESS ASSY TERMINAL BOARD STA 25-48	1	(H60341)
21	HARNESS ASSY TERMINAL BOARD STA 49-72	1	(H60351)

Note: Part numbers enclosed in brackets ( ) are not available individually, but may be sold in assemblies or kits.

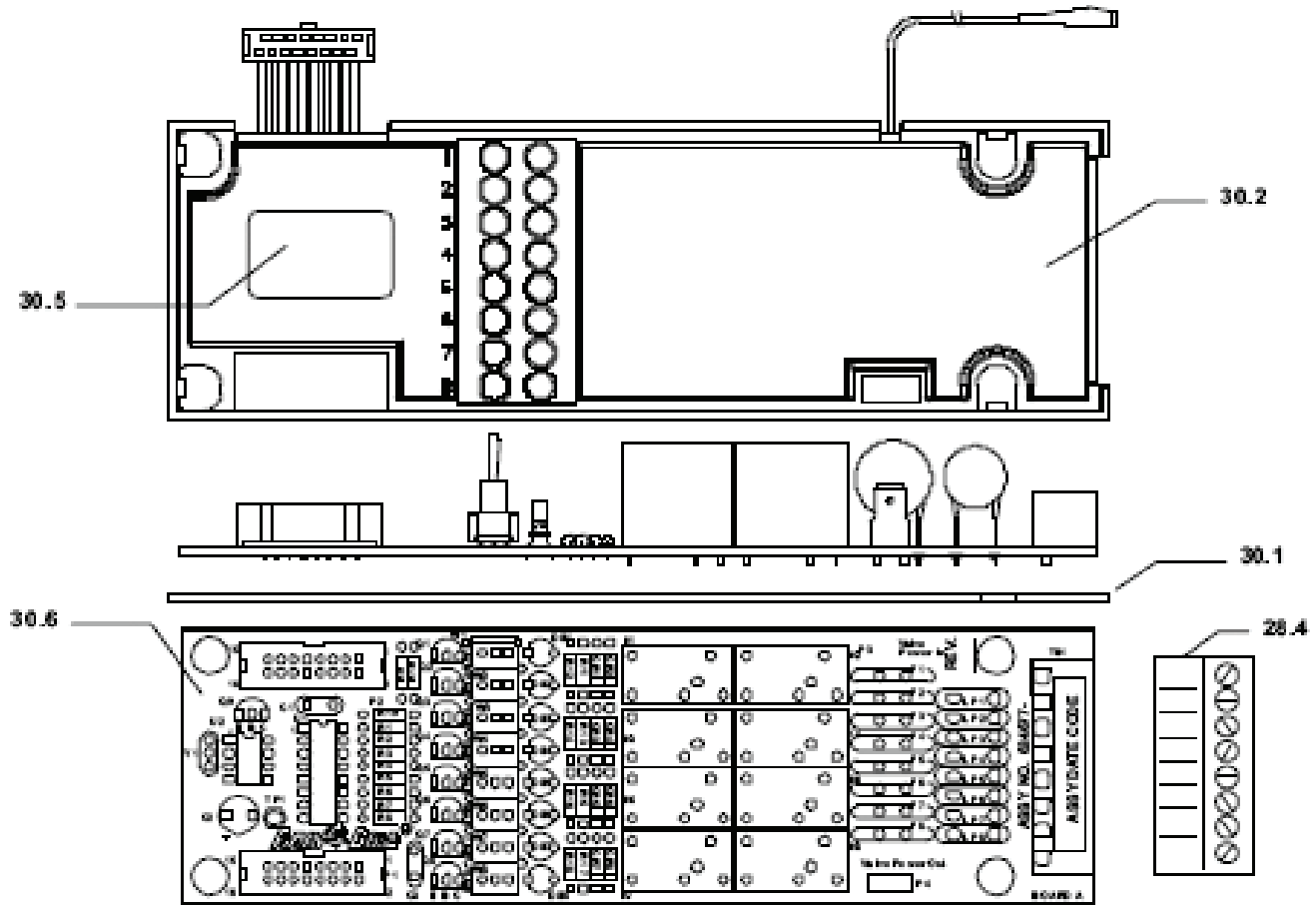


Ref.	Part Description	Qty.	PAR+ES	PAR+ES (LINK)
22	POWER SUPPLY PAR+/MSC+		63522401	
23	POWER SUPPLY PAR+/MSC+ LINK			(63522402)
1	Locknut Conduit	1(2)	(628013)	(628013)
2	Box, XFMR, Steel	1	(635113)	(635113S)
3	Cover, XFMR Steel	1	(635114)	(635114S)
4	Label, PWR Supp.	1	(635154)	(635154)
5	Switch, Voltage Selector	1	(633204)	(635204S)
6	TRANSFORMER CONNECTOR ASSY	1	633252	633252
7	TRANSFORMER CONNECTOR ASSY LINK	0(1)	633254	
8	Label, Cover Steel XFMR	1	(635226)	(635226S)
9	Washer, Flat 7/8" .090	1(2)	(65002343)	(65002343)
10	Screw, SCFTPG, PNH, #8-18.375L	4	(65010441)	(65010441)
11	Screw 4-40 3/8L PN HD	2	(65010515)	(65010515)
12	Screw 8-32	2	(65010548)	(65010548)
13	Terminal Block Double Row	1	(65149503)	(65149503)
14	Terminal Block Double Row Male	1	(65149603)	(65149603)
15	Switch, DPST, Rocker With (A)	1	(651503)	(651503)

(A) Product is available through the Production & Service Center (gsplabrequests@rainbird.com).

Note: Part numbers enclosed in brackets ( ) are not available individually, but may be sold in assemblies or kits.

CONTROLLER ASSEMBLY WITH PEDESTAL (PAR+ES)



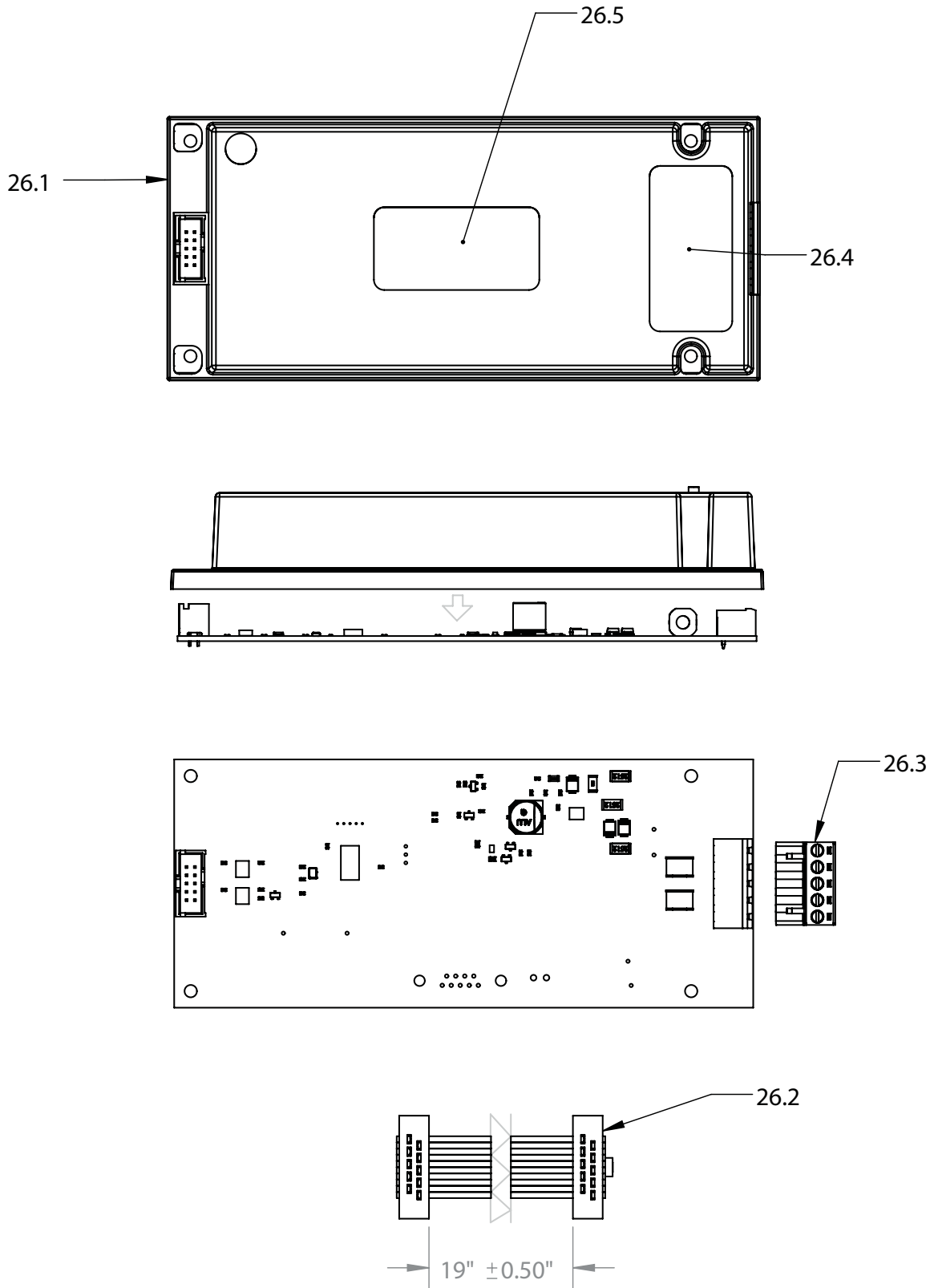
Note: Part numbers enclosed in brackets ( ) are not available individually, but may be sold in assemblies or kits.

Ref.	Part Description	Qty.	PAR+ES
30	OUTPUT STATION MODULE /W SW		HA0200
30.1	Shield, Insul., U.L.94V0, OSM PWB	1	633852
30.2	Cover, Output Station Module	1	(63464402)
30.3	Screw, MACH PNH #6-32	2	(65048012)
30.4	Connector, Terminal Block	1	(65103408)
30.5	Label, Switch Positon	1	(634680)
30.6	PWB Assy Output ST MOD (OSM) (A)	1	(63467701)
	P2 Ribbon Cable Assy PAR/MSC+	1	633245
	P3 Cable, Value Power-PAR/MSC+	1	(633247)
	U2 SW Assy, OSM V01	1	634672
	C1, C3 Capacitor Ceramic Disc 0.1MF 50V	2	(65001345)
	CR-1-CR8 Diode IN4148	8	(65003701)
	R11-R18 Resistor 1/4W 10% 2.2K	8	(65007981)
	R19 Resistor 1/4W 10% 3.3K	1	(65007985)
	R1-R8 Resistor 1/4W 10% 4.7K	8	(65007989)
	R10 Resistor 1.4W 10% 5.6K	1	(65007991)
	R9 Resistor 1/4W 10% 22K	1	65008006
	Q1-Q8 Transistor, NPN 600MW PN2222	8	(650084)
	P4 Terminal Q.Disk Male	1	(650138)
	TP1 Terminal Test PT.067-078	1	(65033601)
	Q9 Transistor PNP 625 MW	1	(650369)
	C2 Capacitor Tantalum 22UF 25V	1	(65058309)
	SW1-SW8 Sub-Miniature Toggle SWI	8	(651414)
	K1-K8 Relay, SPDT, Small 5A 9V	8	(65072503)
	P1 Header .100 CTR 16 CKT	1	(65087216)
	U1 IC 8 BIT Latch ADDR 74HC259 8 BIT	1	(650889)
	TB1 Socket, Horizontal 8 CRKT	1	(65090008)
	DS1-DS8 LED, Clear Red Super Bright	8	(650910)
	F1-F8 Fuse, Self Resetting, 1.85AMPS	8	(65112405)
	Y1 Resonator, Ceramic 10MHZ	1	(651445)
	LP1-LP8 MOV, 47 V, 1000A	8	(651467)

(A) Product is available through the Production & Service Center (gsplabrequests@rainbird.com).

Note: Part numbers enclosed in brackets ( ) are not available individually, but may be sold in assemblies or kits.

CONTROLLER ASSEMBLY WITH PEDESTAL (PAR+ES)



Note: Part numbers enclosed in brackets ( ) are not available individually, but may be sold in assemblies or kits.

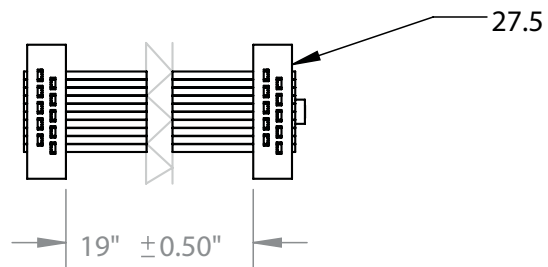
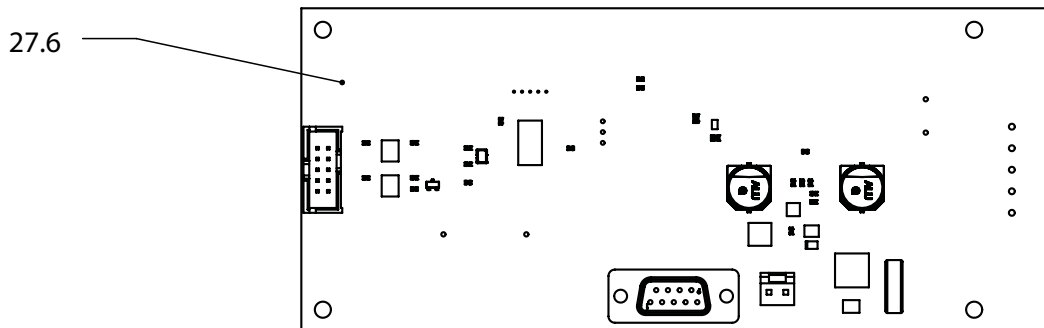
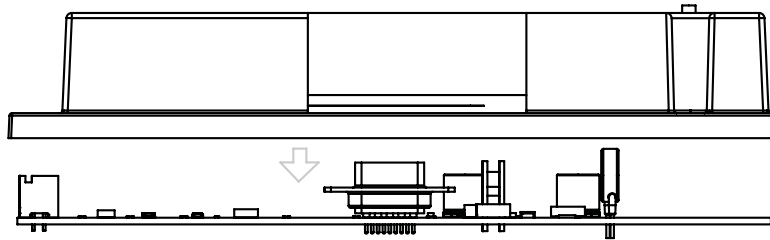
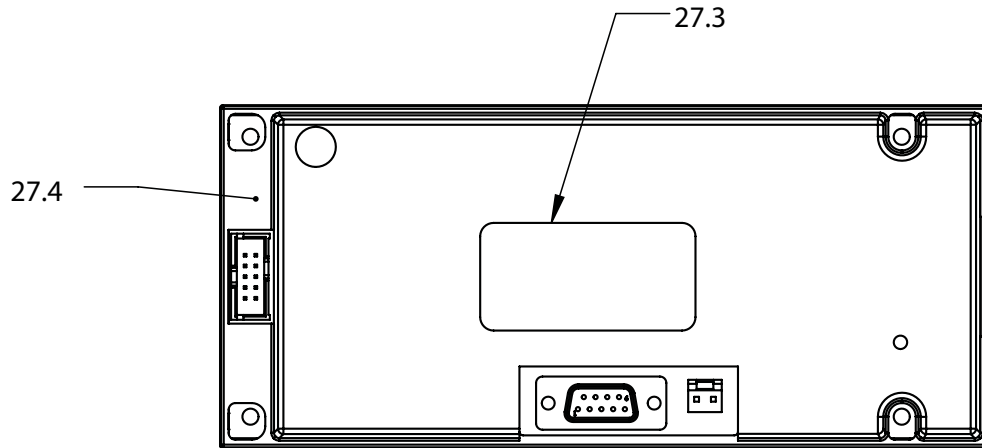
<b>Ref.</b>	<b>Part Description</b>	<b>Qty.</b>	<b>PAR+ES</b>
26	IFX Two-Wire Board*		H44510
26.1	Cover, Interface TWB	1	(633207)
26.2	Cable, Harness Assy	1	634875
26.3	Connector, Terminal Block	1	(65103405)
26.4	Label, IFX 2-wire	1	(633668)
26.5	Label, IFX Connected	4	(639798)
26.6	PCB IFX 2W (A)	1	(639645)
26.7	Screw, #4-40 X 1/4" PH	4	(65048001)

\* Compatible with all MSC+, PAR+ and PAR+ES Satellites.

(A) Product is available through the Production & Service Center ([gsplabrequests@rainbird.com](mailto:gsplabrequests@rainbird.com)).

Note: Part numbers enclosed in brackets ( ) are not available individually, but may be sold in assemblies or kits.

CONTROLLER ASSEMBLY WITH PEDESTAL (PAR+ES)



Note: Part numbers enclosed in brackets ( ) are not available individually, but may be sold in assemblies or kits.



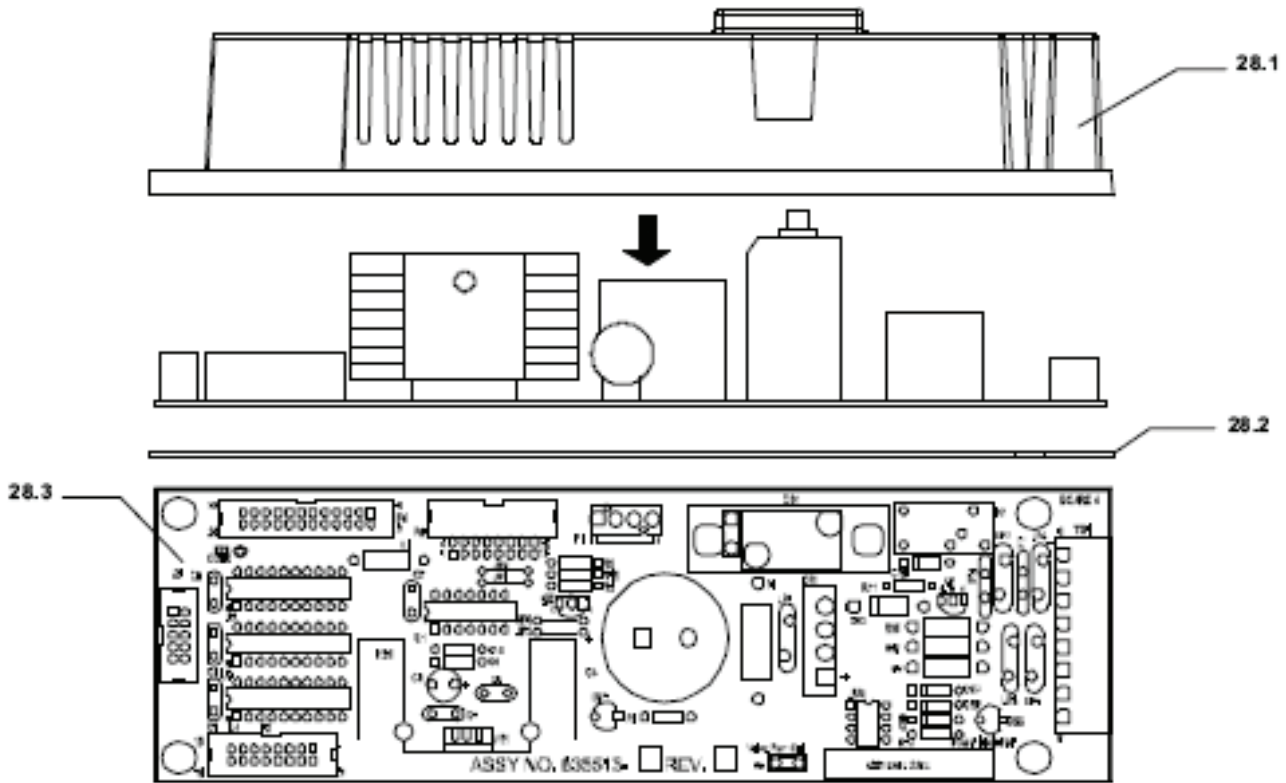
Ref.	Part Description	Qty.	PAR+ES
27	IFX Link (Radio) Board*		H44560
27.1	Assy, IFX Link Board	1	(634935)
27.2	Screw, #4-40 X 1.4" PH	4	(65048001)
27.3	Label, IFX Link	1	(639799)
27.4	Cover, PCB+ Link	1	(633231)
27.5	Cable Harness Assy	1	634875
27.6	PCB IFX Wireless (A)	1	(639648)

\* Compatible with all MSC+, PAR+ and PAR+ES Satellites.

(A) Product is available through the Production & Service Center ([gsplabrequests@rainbird.com](mailto:gsplabrequests@rainbird.com)).

Note: Part numbers enclosed in brackets ( ) are not available individually, but may be sold in assemblies or kits.

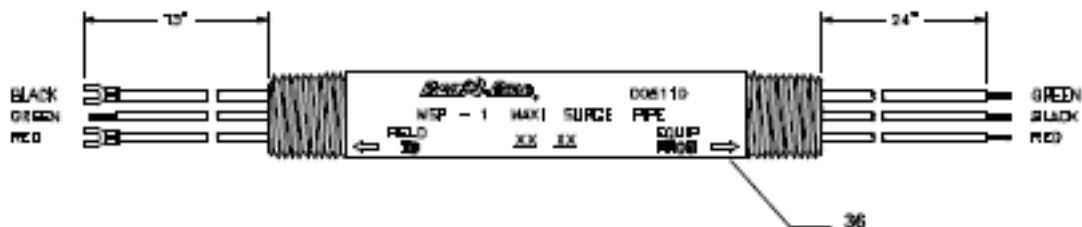
CONTROLLER ASSEMBLY WITH PEDESTAL (PAR+ES)



Note: Part numbers enclosed in brackets ( ) are not available individually, but may be sold in assemblies or kits.

Ref.	Part Description	Qty.	PAR+ES
28	INTERCONNECT/PWR SUP SUB-ASSY PAR+ES		63322603
28.1	Cover, Intcon PWB-PAR/MS+	1	(633208)
28.2	Shield, Insul, U.L.94-V0, P/I-PWB (A)	1	(633851)
28.3	PWB Power Interface Assy (A)	1	(63551301)
C1, 2, 5, 7, 8	Capacitor CER 0.1MF 50V	6	(65001345)
LP1	MOV 33Volts 500AMPS	1	(650015)
(VR1)	Washer, Flat #5 .010	1	(65002303)
CR3, 6, 7, 8	Diode IN4148	4	(65003701)
R1	Resistor 1/4W 10% 560 OHM	1	(65007967)
R11, 12	Resistor 1/4W 10% 4.7K	2	(65007989)
R4, 14, 15	Resistor 1/4W 10% 5.6K	4	(65007991)
Q1	Transistor, NPN 600MW PN2222	1	(650084)
R3	Resistor, 10K-5%, 1/4W, C Film	1	(65013597)
P5	Terminal Q.Disk Male	1	(650138)
(VR1)	Rivet Blind 1/8 X .328	1	(65013905)
R2, 10, 13	Resistor 1.2W 10% 2K	3	(65020280)
U2	IC OPTO-Coupler MCT6	1	(650253)
L1	Inductor Ferrite	1	(65030005)
Q2	Transistor PNP 625 MW	1	(650369)
U1	IC, Inverter 74HC14	1	(650540)
CR1	Bridge Rectifier, 50V 4AMP SIP	1	(65058101)
C2	Capacitor 22UF 25V Tantalum	1	(65058309)
CR2	Transient Suppressor 18V	1	(65059522)
U4	IC, 3 State OCT Latch, 74HC373	2	(650611)
J1, 2, 3, 4	Wire, A.I.	4	(65062503)
K1	Relay, SPDT, Small 5A 9V	1	(65072503)
VR1	IC LM2940-5.0	1	(650733)
P3	Header .100CTR, 10CKT, LO Profil	1	(65087210)
P2	Header .100 CTR 16 CKT	1	(65087216)
P4	Header, Low Profile 24 POS.	1	(65087224)
LP2, 3, 4, 5	Mov, 47 Volts 1000 AMPS	4	(650875)
P1	Header, St. SQ PIN 4 POS.	1	(65089304)
TB1	Socket, Horizontal 8 CRKT	1	(65090008)
F1	Fuse, Slow Blow, 250V, 2.50A, 2AG	1	(65090510)
DS1, DS2	Led, Clear Red Super Bright	2	(650910)
C4	Capacitor, Low Profile	1	(650950)
HS1	Heatsink, Platic, High Perform	1	(651019)
CB1	Circuit Breaker, 6.00 AMPS	1	(65103222)
P6	Header, Low Profile R Angle	1	(65105005)
PT1, PT2	Fuse, Self Resetting, 1.85AMPS	2	(65112405)
U5	IC Buffer 74HC244	1	(651590)

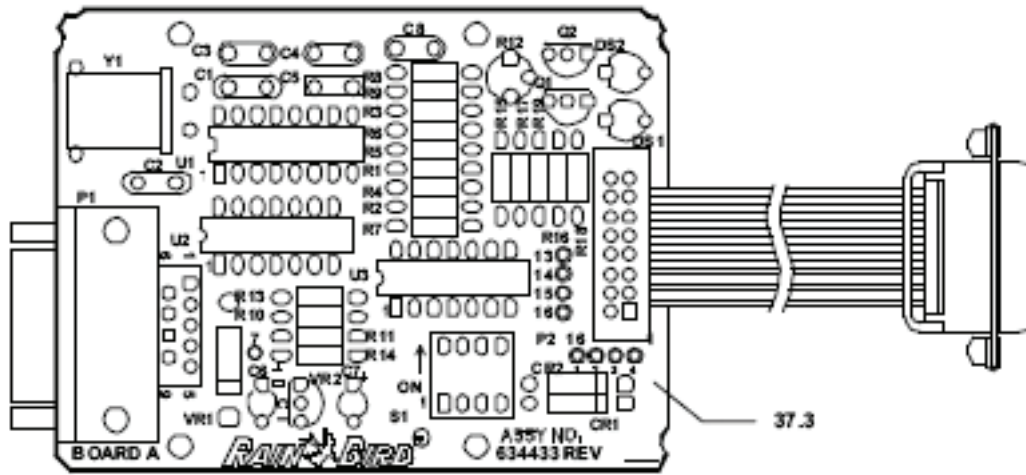
(A) Product is available through the Production & Service Center (gsplabrequests@rainbird.com).



Ref.	Part Description	Qty.	PAR+ES
36	TWO WIRE PIPE SURGE PROTECTOR (MSP-1)		D05110

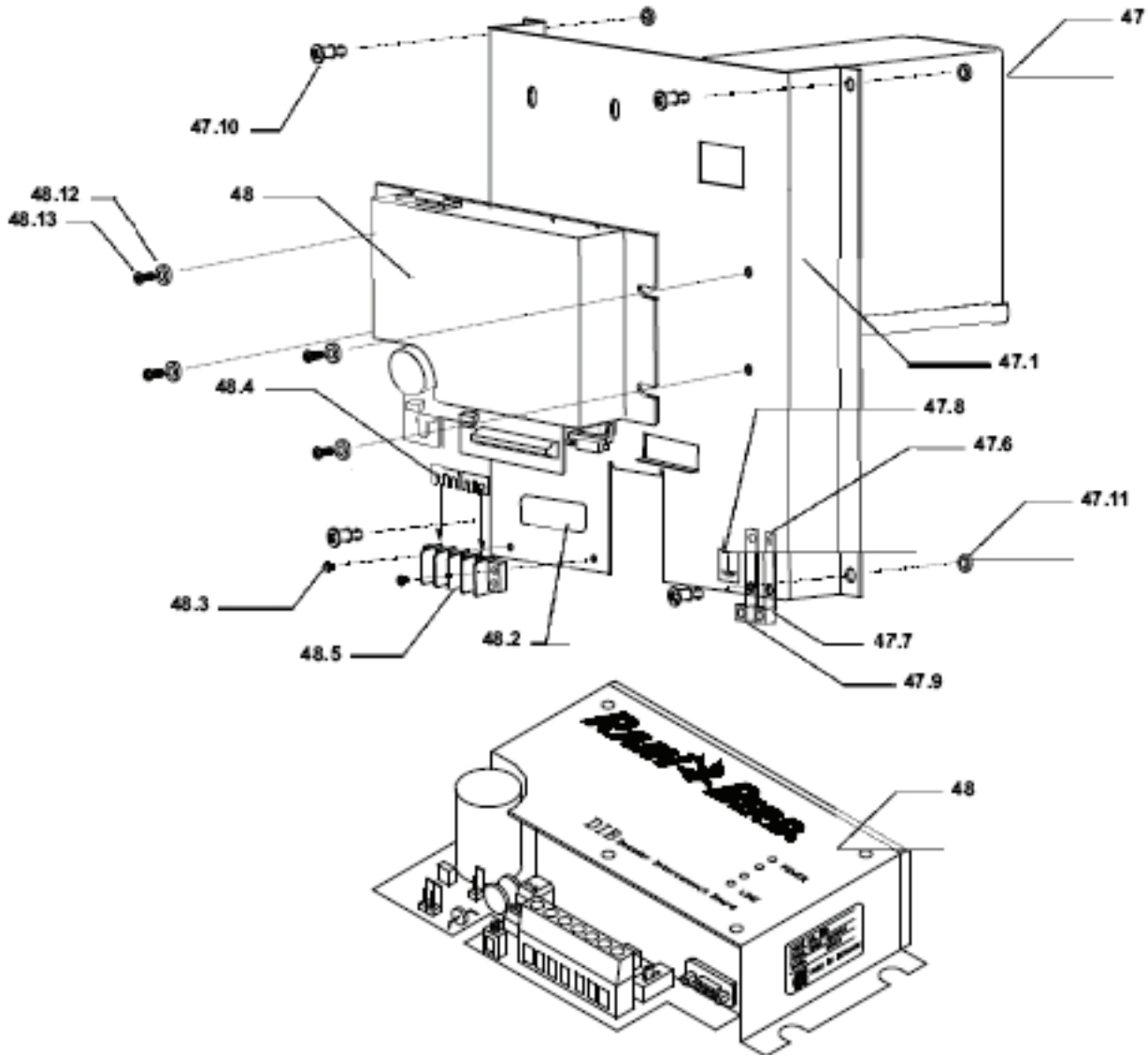
Note: Part numbers enclosed in brackets ( ) are not available individually, but may be sold in assemblies or kits.

## CONTROLLER ASSEMBLY WITH PEDESTAL (PAR+ES)



Ref.	Part Description	Qty.	PAR+ES
37.3	ASSY WIRELESS MODEM		634433
C5	Cap RAD .33MFD 50V	1	(626408)
P2	Cable Assy. Combox	1	(632367)
C1, 3	Capacitor CER Disc, 50V(MIN) 1PFT08200	2	(65001210)
C2, 4, 8	Capacitor CER 0.1MF 50V	3	(65001345)
CR1	Diode 1N4002	1	(65007702)
R15, 16	Resistor 1/4W 10% 470 OHM	2	(65007965)
R17, 18	Resistor 1/4W 10% 4.7 K	2	(65007989)
R5	Resistor 1/4W 10% 10 K	1	(65007997)
R3	Resistor 1/4W 10% 20 K	1	(65008005)
R1,2,7,10,11,13,14,19	Resistor 1/4W 10% 47 K	8	(65008014)
R6	Resistor 1/4W 10% 56 K	1	(65008016)
R4	Resistor 1/4W 10% 100 K	1	(65008022)
(U1)	Socket, Dip, Low Profile 16 Pins	1	(65008103)
Q1, Q2	Transistor, NPN 600MW PN2222	2	(650084)
U2	IC, Inverter 74HC14	1	(650540)
C7	Capacitor 2.2UF 25V Tantalum	1	(65058303)
C6	Capacitor 22UF 25V Tantalum	1	65058309
VR1	Transient Suppressor 18V	1	65059522
(CR2)	Wire, A.I.	1	(65062503)
R12	POT, 10K OHM 1/4" Single Turn	1	(65073910)
Y1	Crystal, 3.579545 MHZ	1	(650759)
DS1, 2	Led, Clear Red Super Bright	2	(650910)
U3	IC Quad 2-input EX-OR	1	(650937)
VR2	Voltage Regulator	1	650938
P1	Connector Plug Right Angle PC	1	(65113002)
U1	IC, M X 614 1200 BPS	1	651141

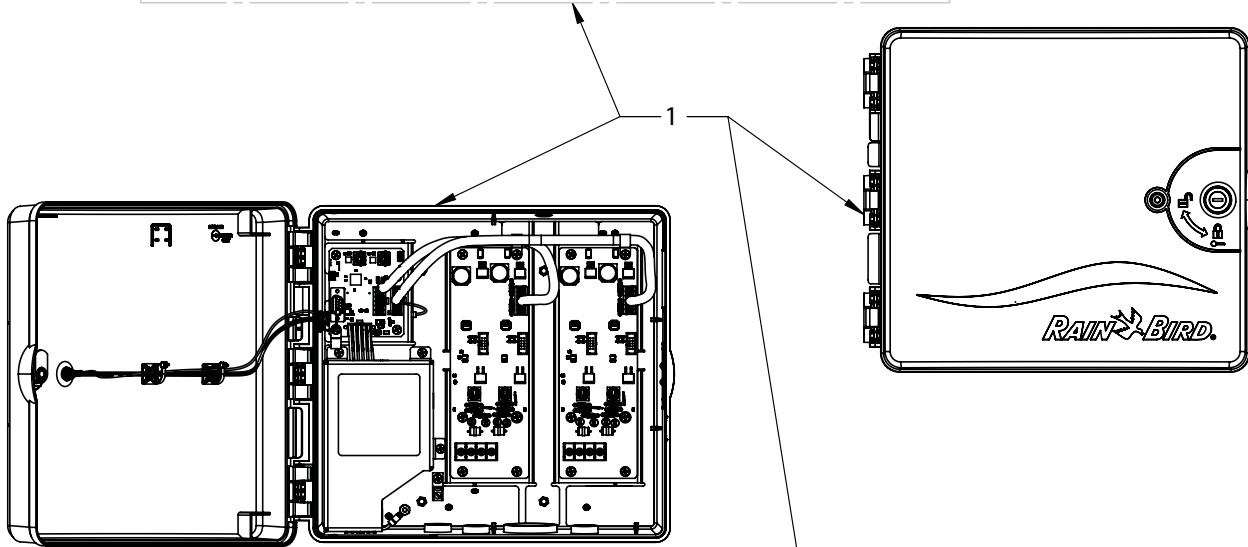
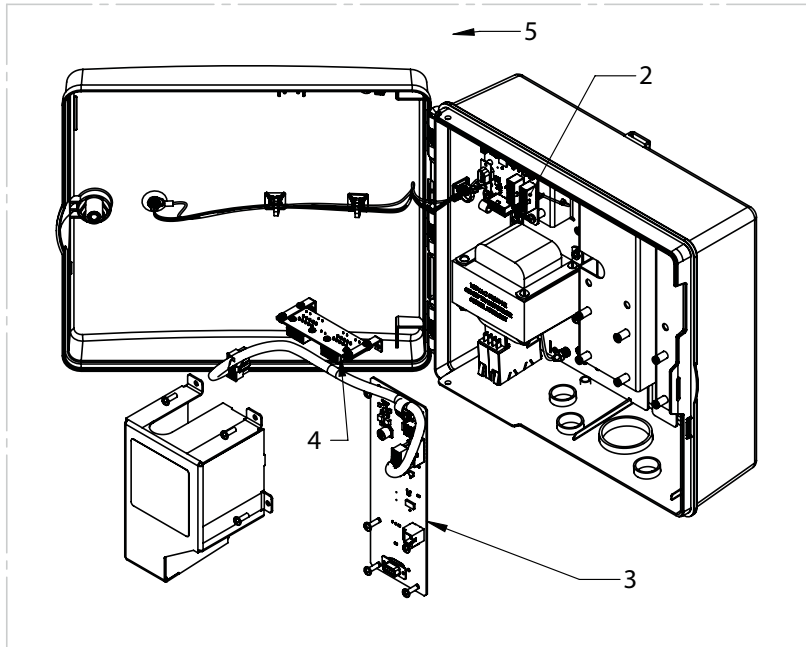
Note: Part numbers enclosed in brackets ( ) are not available individually, but may be sold in assemblies or kits.



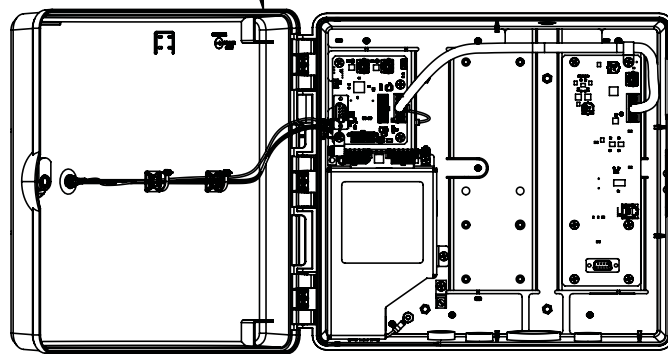
Ref.	Part Description	Qty.	PAR+ES(LINK)	PAR+ES(TWO WIRE)
47	DIB BRACKET ASSY	1	(63586701)	
47	DIB BRACKET ASSY	1		(63586702)
47.1	Plate, DIB Mount, Steel	1	(636078)	(636078)
47.2	Label, Two Wire Terminal Block	(0)1		(635228)
47.3	Screw 6-32 X 3/8	2		(65010528)
47.4	Jumper 2 Position	2		(651516)
47.5	Terminal Block (4 Circu)	1		(6515015)
47.6	Rivet Blink	4	(65042213)	(65042213)
47.7	Lug, Single Barrel, Coper, Two HL	1	(650892)	(650892)
47.8	Label, Ground Symbol (IEC-509)	1	(651037)	(651037)
47.9	Lug, Single Barrel, Copper Two	1	(65135002)	(65135002)
47.10	Stud Phillips, Oval Steel	4	(651511)	(651511)
47.11	Retainer, Black Nylon	4	(651512)	(651512)
47.12	Washer, Flat #10 .032	4	(65002313)	(65002313)
47.13	Screw, #8-32 X 3/8" PHIL	4	(65048027)	(65048027)
48	DECODER INTERFACE BOARD (DIB)	1	636104	636104S

Note: Part numbers enclosed in brackets ( ) are not available individually, but may be sold in assemblies or kits.

INTEGRATED CONTROL INTERFACE PLUS (ICI+) AND ICI+ LINK

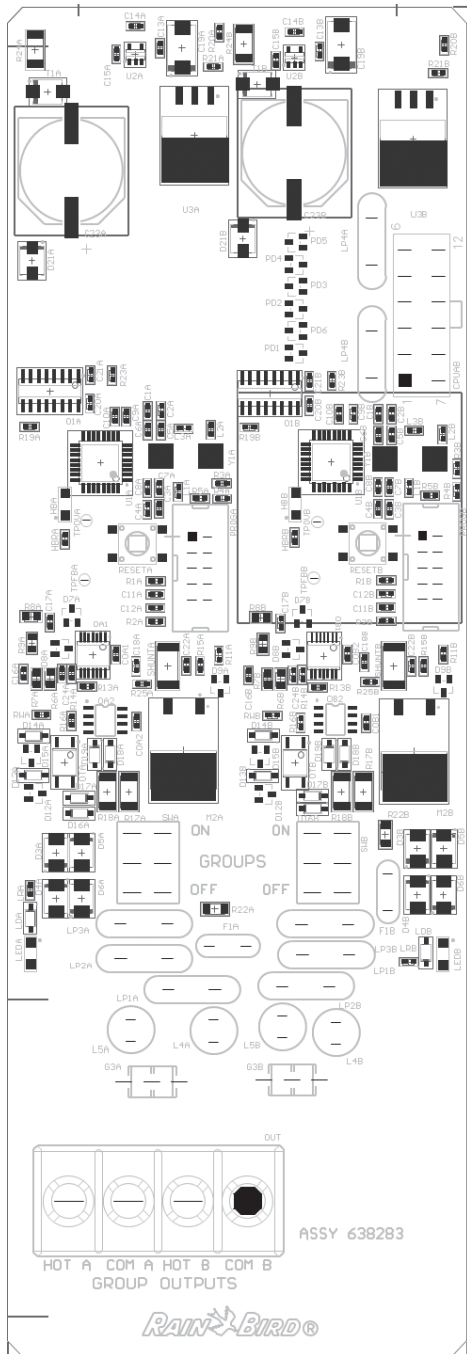


**ICI+ CONFIGURATION WITH TWO ICI+ (ONLY) DRIVER BOARDS**

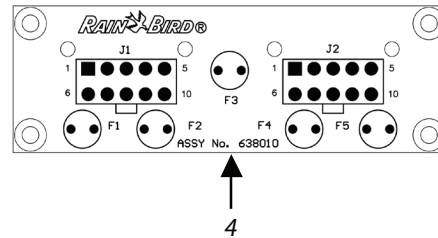
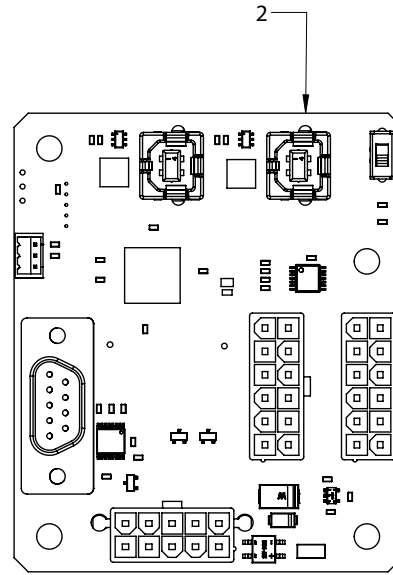


**ICI+ LINK CONFIGURATION WITH ONE LINK OUTPUT BOARD**

Note: Part numbers enclosed in brackets ( ) are not available individually, but may be sold in assemblies or kits.



← 3

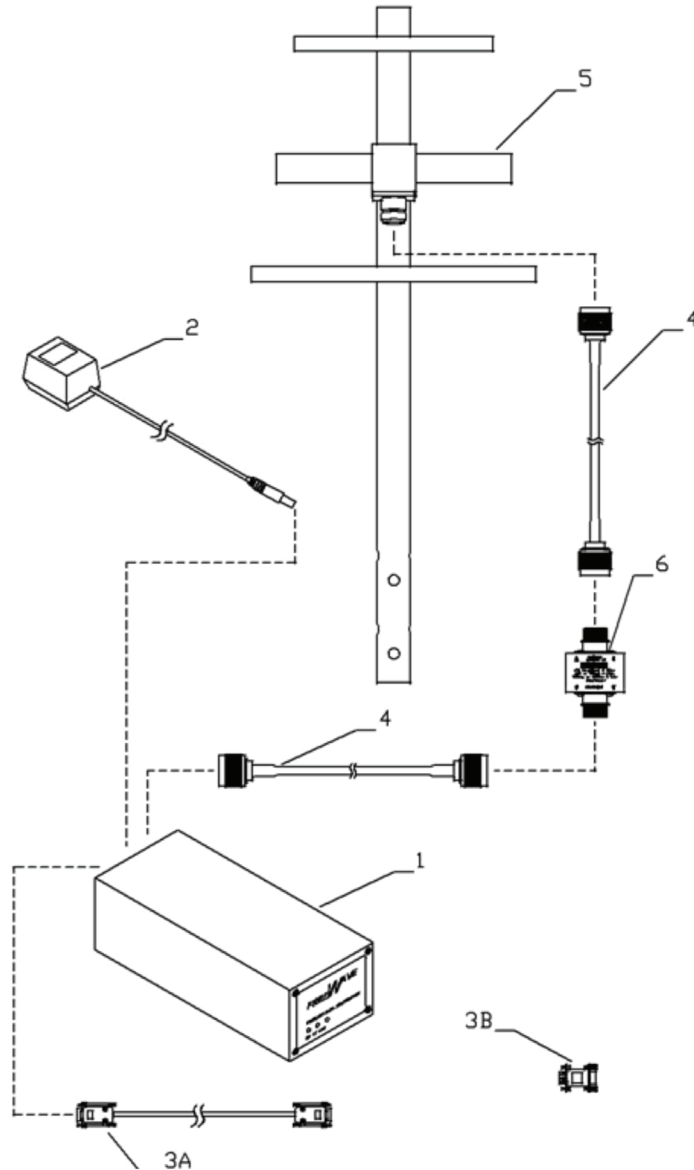


<b>Ref.</b>	<b>Part Description</b>	<b>Qty.</b>	<b>P/N</b>
<b>INTEGRATED CONTROL INTERFACE PLUS (ICI+)</b>			
1	ICI+ 120 VAC	1	HS6020
1	ICI+ 230 VAC	1	HS6085
1	ICI+ 100 VAC	1	HS6090
1	ICI+ LINK	1	HS6099
<b>CPU BOARDS - ICI+ *</b>			
2	ICI+ CPU BOARD (A)	1	214112
<b>CPU BOARDS - ICI *</b>			
2	ICI CPU BOARD (A)	1	213045
<b>DRIVER BOARDS - ICI+ *</b>			
3	ICI+ DRIVER BOARD 2WP	1	214111
3	ICI+ LINK OUTPUT BOARD (A)	1	214110
<b>DRIVER BOARDS - ICI *</b>			
3	ICI DRIVER BOARD 2WP	1	213046S
<b>FUSE BOARD</b>			
4	ICI FUSE BOARD (All)	1	-638010
<b>KEYS</b>			
5	ICI KEY (No. CH751)	2	-

(A) Product is available through the Production & Service Center (gsplabrequests@rainbird.com).

**\* Boards are specific to ICI or ICI+ and are not interchangeable**

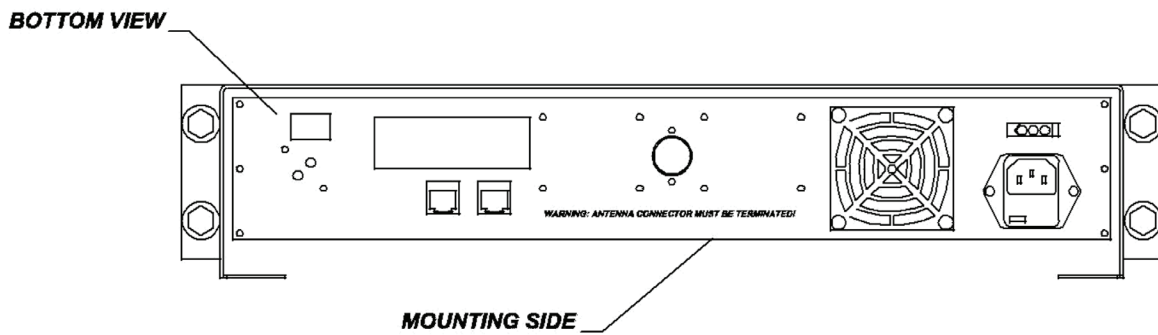
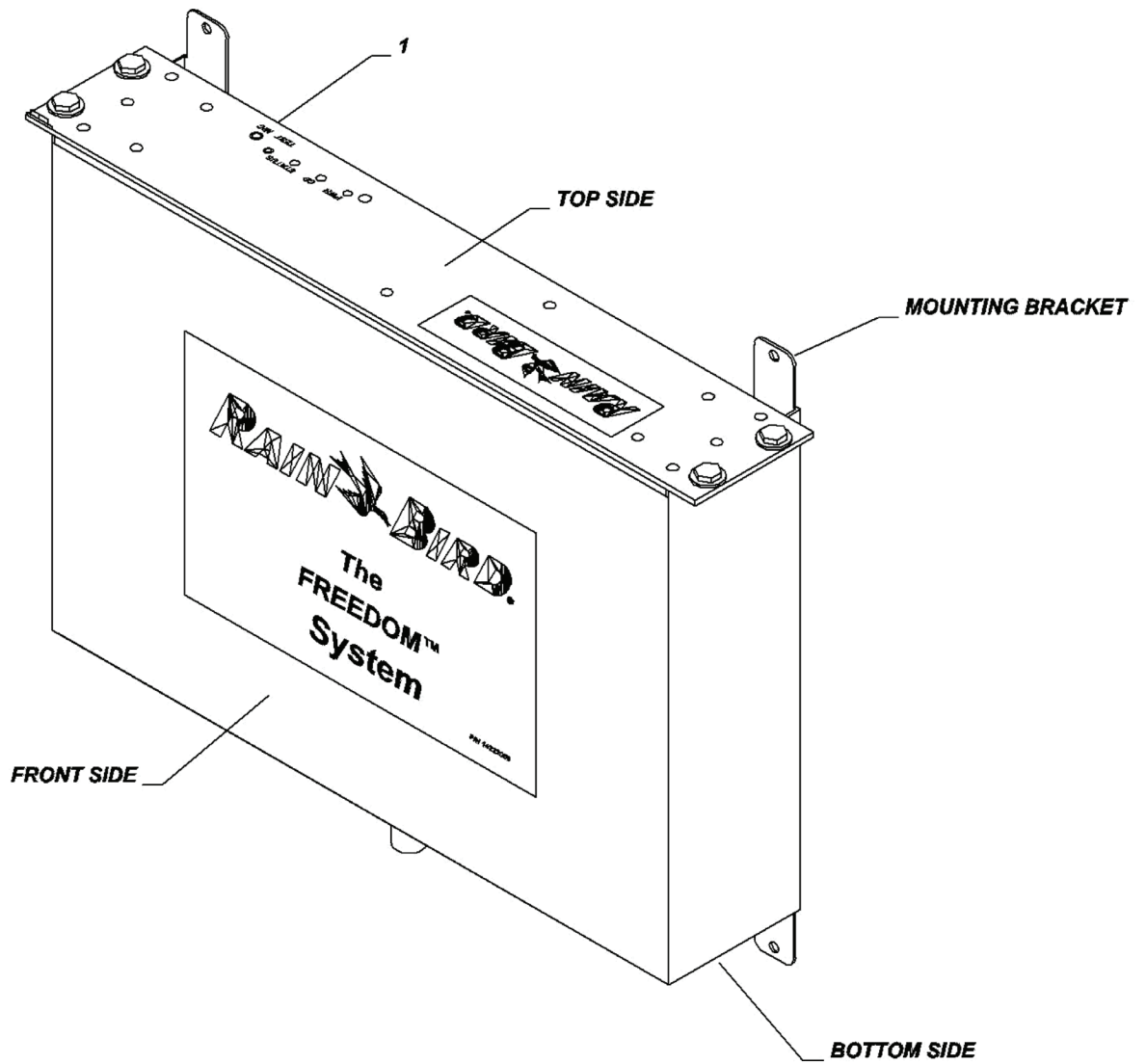
Note: Part numbers enclosed in brackets ( ) are not available individually, but may be sold in assemblies or kits.



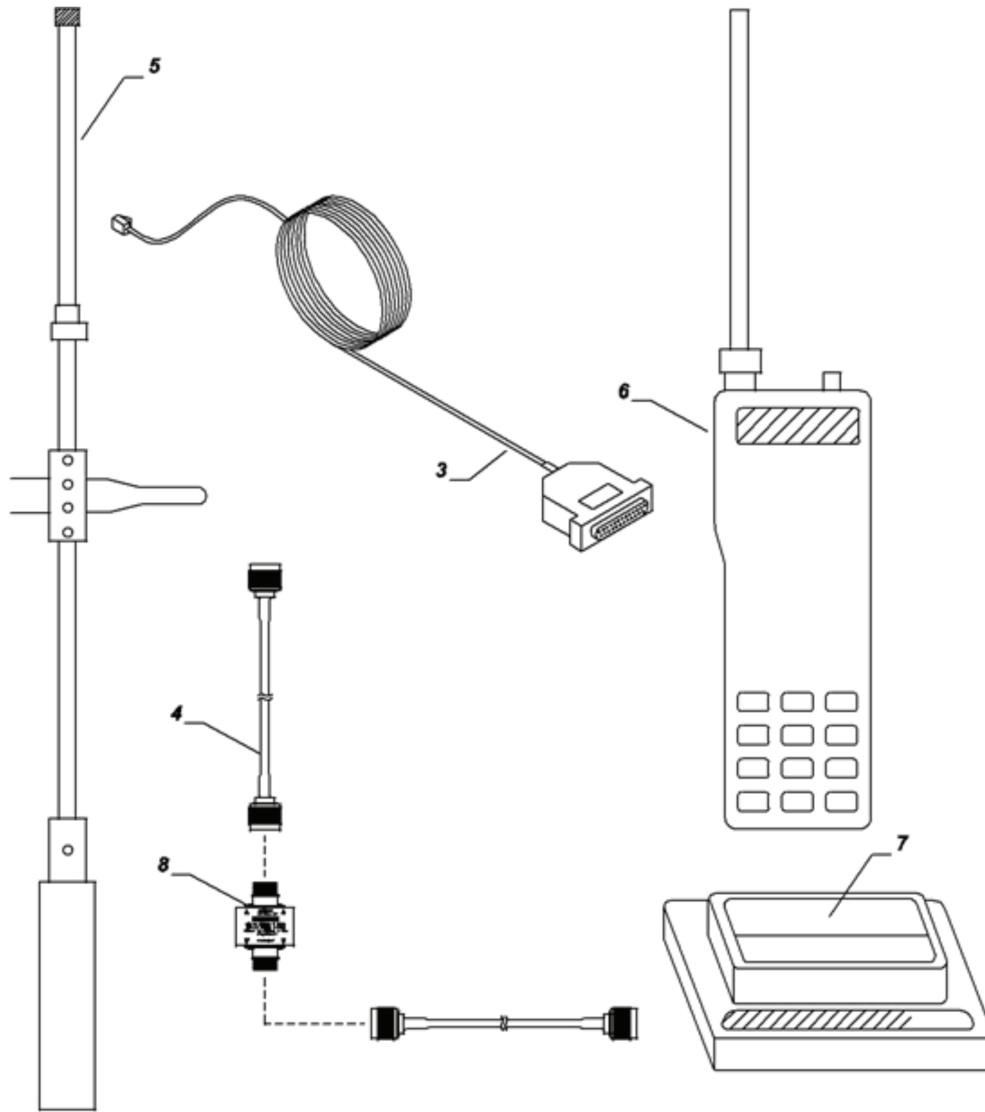
Ref.	Part Description	Qty.	P/N
	MAXI REMOTE LOCATION KIT		HA1000
1	SPREAD SPECTRUM RADIO	2	HA1100
2	TRANSFORMER	2	-
3B	NULL MODEM	1	-
3A	RS232 INTERFACE CABLE	2	-
4	COAXIAL CABLE	4	-635089
5	YAGI DIRECTIONAL ANTENNA	2	(635090-01)
6	POLY PHASER	2	-635088

Note: Part numbers enclosed in brackets ( ) are not available individually, but may be sold in assemblies or kits.





Note: Part numbers enclosed in brackets ( ) are not available individually, but may be sold in assemblies or kits.



<b>Ref.</b>	<b>Part Description</b>	<b>Qty.</b>	<b>P/N</b>
	The FREEDOM SYSTEM™ STANDARD FREQUENCY		HA1000
	Tx: 452.1875 Rx: 457.1875		
-	SPECIAL FREQUENCY (450 – 470 MHz) – CANADA ONLY	-	H59504
1	NARROWBAND SYNTHESIZED REPEATER	1	FRX-452
2	AUTOPATCH	1	RP-200
3	COMPUTER CABLE	1	FP-2PC
4	RG-8/N COAXIAL CABLE	2	RAC-02NN
5	2.5 DB ANTENNA	1	ROA-SS
6	HANDHELD WITH DTMF*	1	FTX-454
7	QUICK-RATE CHARGER*	1	FCP-FS
8	POLYPHASER SURGE PROTECTOR	1	HA1100

Note: Requires complete Site Survey and FCC License or Notice of Coordination before shipping. Distributor will be responsible for FCC license fees for FREEDOM system.

\* Not included with Canadian version of the FREEDOM system.

Note: Part numbers enclosed in brackets ( ) are not available individually, but may be sold in assemblies or kits.