

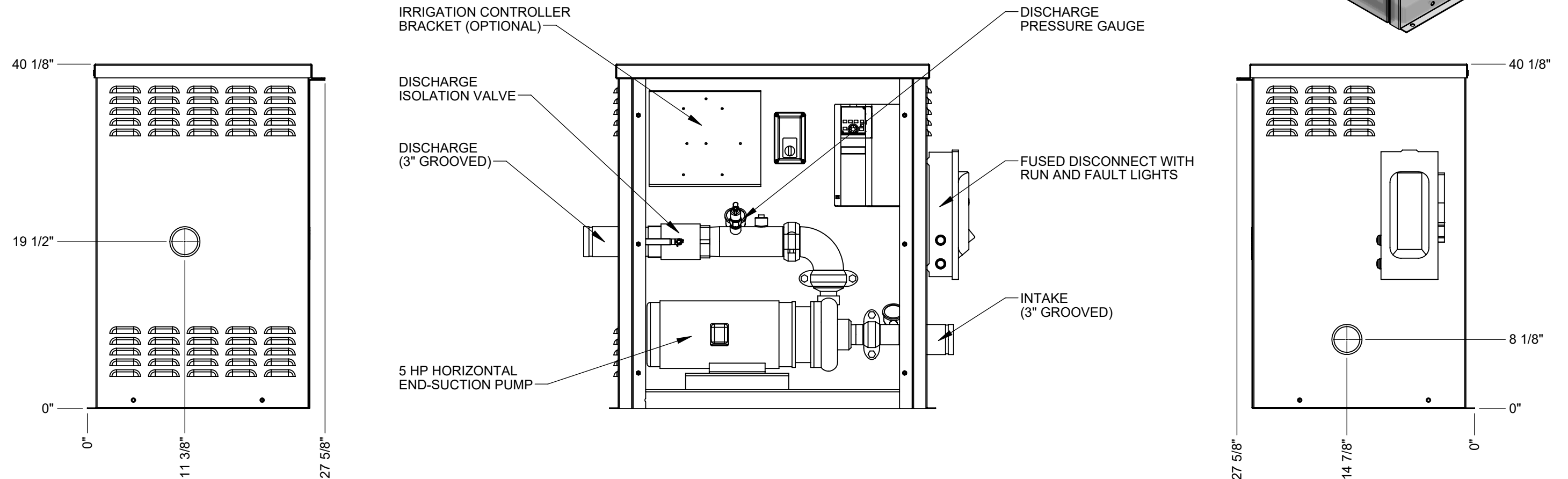
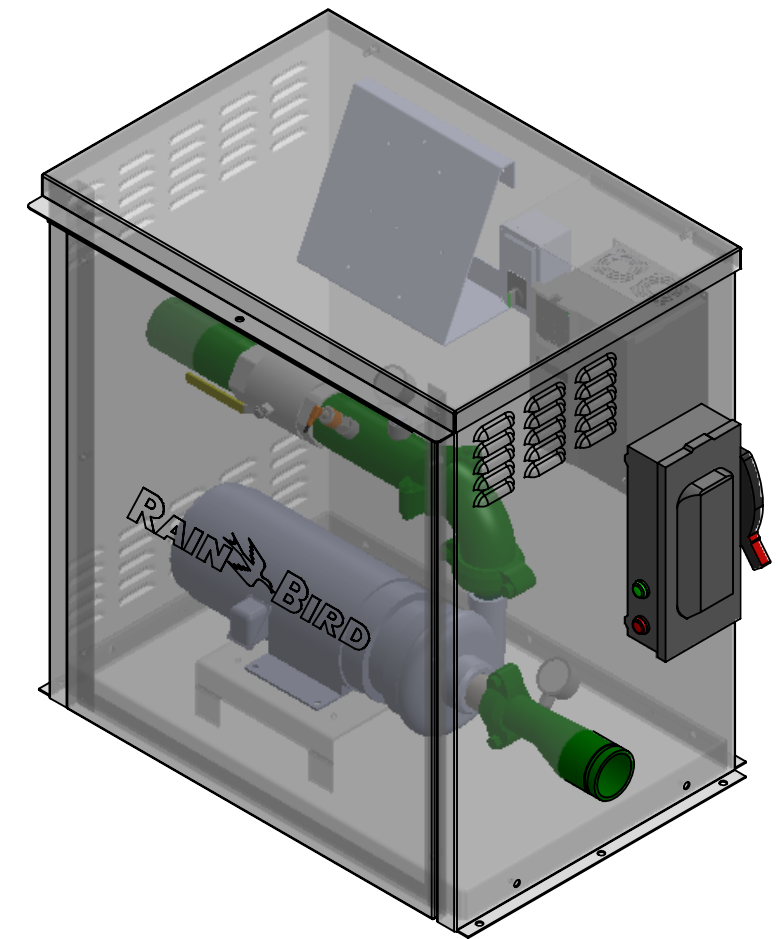
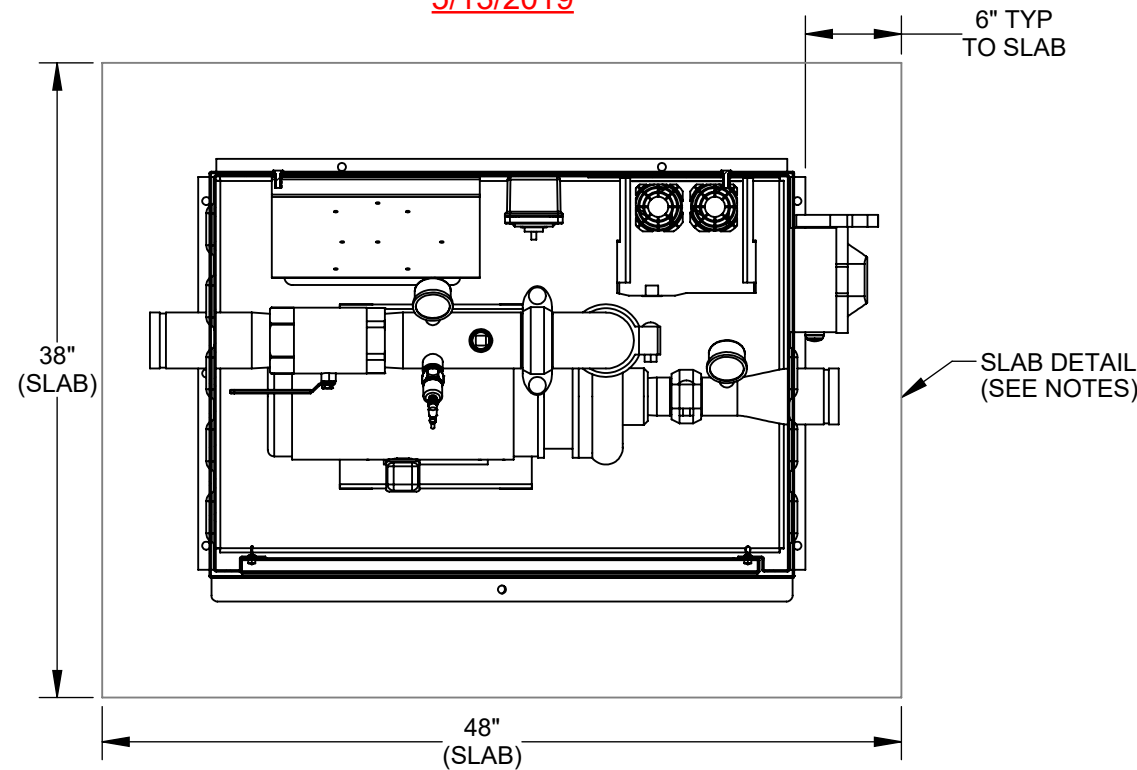
STANDARD DRAWING
5/13/2019

POWER REQUIREMENTS MUST BE SPECIFIED:

| AVAILABLE STANDARD | |
|--------------------|--------------|
| 208 | SINGLE PHASE |
| 208 | THREE PHASE |
| 230 | SINGLE PHASE |
| 230 | THREE PHASE |
| 480 | THREE PHASE |

REFER TO PERFORMANCE FLOW CHART OR PUMP CURVE TO DETERMINE YOUR OPERATING FLOW AND PRESSURE COMBINATION

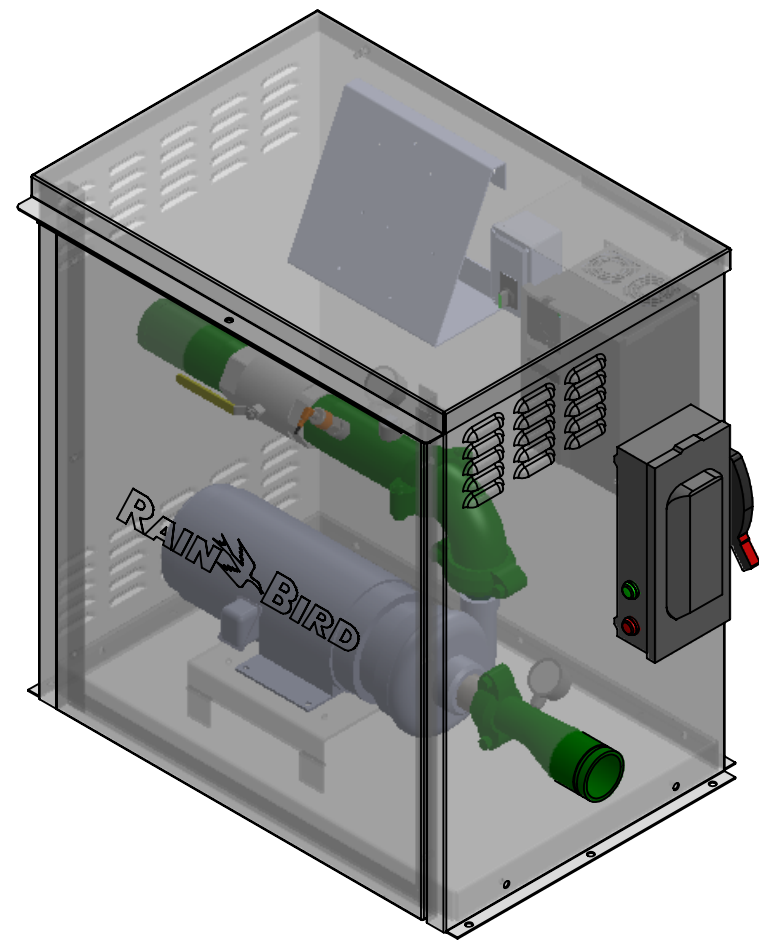
| OPTIONS PURCHASED SEPARATELY | |
|------------------------------|-----------------------------------|
| 6V DC (CLPPSR06DC) | PUMP START RELAY |
| 12V DC (CLPPSR12DC) | |
| 1Ø (CLPSES1P) | SURGE SUPPRESSION KIT |
| 3Ø (CLPSES3P) | |
| CLPBSTSW | FLOW START KIT (BOOST PUMPS ONLY) |
| CLPFTVLV4VF | INTAKE SCREEN W/FOOT VALVE |




- NOTES:
1. SLAB DETAIL IS PROVIDED FOR ILLUSTRATION ONLY. THE ARCHITECT OR PROJECT ENGINEER SHOULD BE CONSULTED FOR CONSTRUCTION DETAIL.
 2. DIMENSIONS ARE FOR REFERENCE ONLY. EXTERNAL PLUMBING TO BE FIELD FIT.
 3. STATION WEIGHS ~ 250 LBS.

STANDARD DRAWING

| | | | | | | |
|---|--|---|------------------------|---|--|---|
| <p>NOTICE:</p> <p>THIS DRAWING EMBODIES A CONFIDENTIAL PROPRIETARY DESIGN ORIGINATED BY RAIN BIRD CORPORATION. ALL DESIGN, MANUFACTURING, USE AND SALE RIGHTS REGARDING THE SAME ARE EXPRESSLY RESERVED. IT IS SUBMITTED UNDER A CONFIDENTIAL RELATIONSHIP FOR A SPECIFIC PURPOSE AND THE RECIPIENT AGREES BY ACCEPTING THIS DRAWING NOT TO SUPPLY OR DISCLOSE ANY INFORMATION REGARDING IT TO ANY UNAUTHORIZED PERSON, OR TO INCORPORATE IN OTHER PROJECTS ANY SPECIAL FEATURE UNIQUE TO THIS DESIGN. ALL PATENT RIGHTS HERETO ARE EXPRESSLY RESERVED.</p> | <p>UNLESS OTHERWISE SPECIFIED:</p> <p>FRACTIONAL TOLERANCE = ± 1/8"</p> <p>DRILLED HOLE Ø = ± 1/32"</p> <p>ANGULAR = ± 2°</p> <p>DECIMAL TOLERANCE X ± .001 3XXX ± .010"</p> | <p>DRAWN IB DATE 05/07/2019</p> <p>DESIGNED IB DATE 05/07/2019</p> | <p>DATE 05/07/2019</p> | <p>RAIN BIRD</p> <p>SYSTEMS MFG. DIV.</p> <p>TUCSON, ARIZONA</p> | <p>PROJ. NAME N/A</p> <p>PROJ. NO. N/A</p> | |
| | | <p>SCALE 1:12</p> <p>DO NOT SCALE DRAWING</p> <p>LAST MODIFIED IN VERSION SolidWorks 2017</p> <p>DWG SYMBOLS PER ANSI</p> | | | <p>TITLE CLP, 5HP</p> <p>CLP05EAC</p> | <p>DRAWING NUMBER STANDARD - A</p> <p>PART NO. REV.</p> <p>SHEET 1 OF 3</p> |
| | | | | | | |
| | | | | | | |



1. CLOSE-COUPLED, HORIZONTAL END-SUCTION PUMP WITH BRONZE IMPELLER AND TYPE 21 BUNA-N MECHANICAL SEAL FOR LONG PUMP LIFE.
2. NEMA-STANDARD FRAME, PREMIUM EFFICIENCY MOTOR WITH TOTALLY-ENCLOSED, FAN-COOLED CASE FOR SUPERIOR ENVIRONMENTAL PROTECTION.
3. ENERGY SAVING VARIABLE FREQUENCY DRIVE FEATURING INNOVATIVE RAIN BIRD PROGRAMMING; STATION WILL BE CONTROLLED VIA RELAY START INCLUDED STANDARD OR OPTIONAL FLOW START KIT.
4. 0-250 PSI STAINLESS STEEL PRESSURE TRANSDUCER REGULATES PRESSURE AT A USER-DEFINED SETPOINT WHILE IRRIGATING. 2 1/2" LIQUID GLYCERIN-FILLED SUCTION AND DISCHARGE PRESSURE GAUGES ARE STANDARD.
5. INCLUDES JUNCTION BOX WITH AUTO-OFF-MANUAL SWITCH AND 24 VAC PUMP START RELAY STANDARD; 12 OR 6 VDC PUMP START RELAY OPTIONS ARE AVAILABLE.
6. FUSED ELECTRICAL DISCONNECT INCLUDES EXTERNAL RUN AND FAULT INDICATOR LIGHTS AND DISCONNECT HANDLE FOR ISOLATING POWER TO THE STATION.
7. STATION IS BUILT USING ROBUST SCHEDULE 40 PIPING WITH HIGHLY DURABLE POLYESTER POWDER-COATING INSIDE AND OUT, AND GROOVED CONNECTIONS FOR EASY MAINTENANCE AND SERVICEABILITY.
8. FULL-PORT STAINLESS STEEL DISCHARGE ISOLATION VALVE STANDARD.
9. PUMP STATION IS CONTAINED IN A MARINE-GRADE ALUMINUM DECK AND ENCLOSURE WITH LOCKABLE HINGED LID, AND REMOVABLE FRONT PANEL FOR EASE OF MAINTENANCE.
10. EACH PUMP STATION IS FACTORY TESTED UNDER DYNAMIC CONDITIONS BEFORE SHIPPING.

| | | | | | |
|---|-------------------------------|--|----------------------|---|------------------------------|
| NOTICE: THIS DRAWING EMBODIES A CONFIDENTIAL PROPRIETARY DESIGN ORIGINATED BY RAIN BIRD CORPORATION. ALL DESIGN, MANUFACTURING, USE AND SALE RIGHTS REGARDING THE SAME ARE EXPRESSLY RESERVED. IT IS SUBMITTED UNDER A CONFIDENTIAL RELATIONSHIP FOR A SPECIFIC PURPOSE AND THE RECIPIENT AGREES BY ACCEPTING THIS DRAWING NOT TO SUPPLY OR DISCLOSE ANY INFORMATION REGARDING IT TO ANY UNAUTHORIZED PERSON, OR TO INCORPORATE IN OTHER PROJECTS ANY SPECIAL FEATURE UNIQUE TO THIS DESIGN. ALL PATENT RIGHTS HERETO ARE EXPRESSLY RESERVED. | UNLESS OTHERWISE SPECIFIED: | DRAWN IB | DATE 05/07/2019 |  RAIN BIRD SYSTEMS MFG. DIV. TUCSON, ARIZONA | PROJ. NAME N/A |
| | FRACTIONAL TOLERANCE = ± 1/8" | DESIGNED IB | DATE 05/07/2019 | | PROJ. NO. N/A |
| | DRILLED HOLE Ø = ± 1/32" | SCALE 1:12 | DO NOT SCALE DRAWING | | TITLE CLP, 5HP |
| | ANGULAR = ± 2° | LAST MODIFIED IN VERSION: SolidWorks 2017 | DWG SYMBOLS PER ANSI | | DRAWING NUMBER STANDARD - |
| DECIMAL TOLERANCE X = ± .001 XX = ± .0005 XXX = ± .010" | | | | CLP05EAC | PART NO. REV. |
| | | | | | SHEET 3 OF 3 |