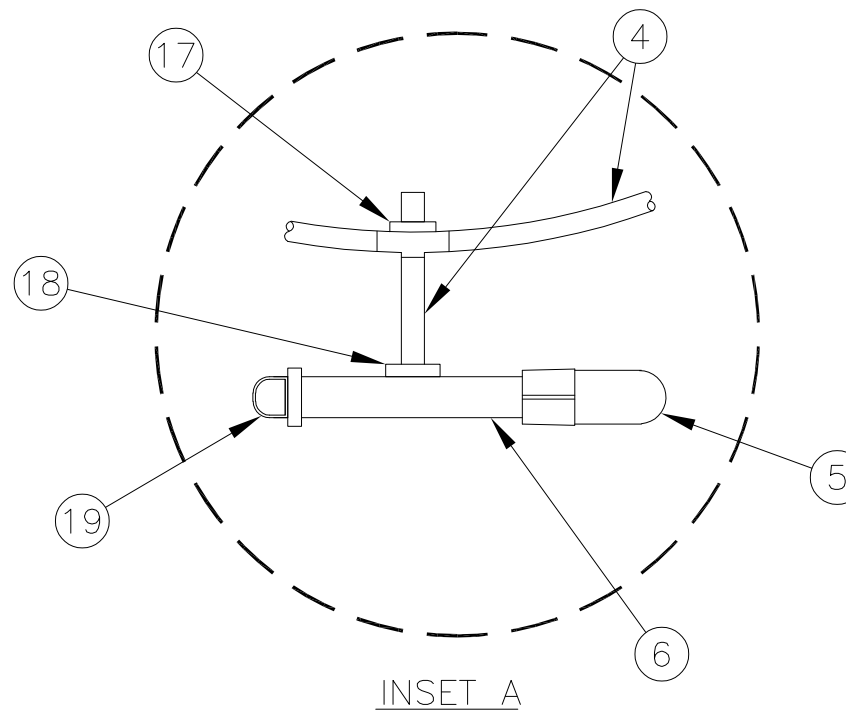
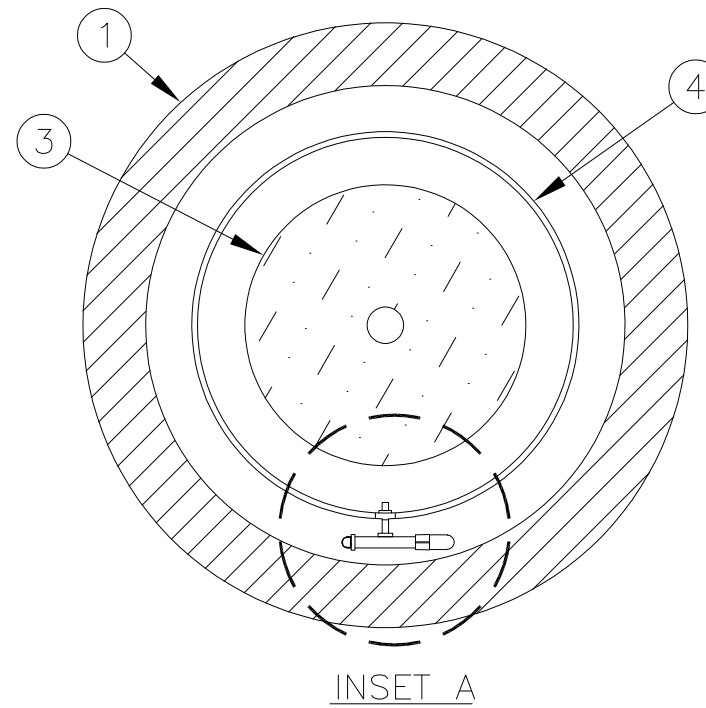
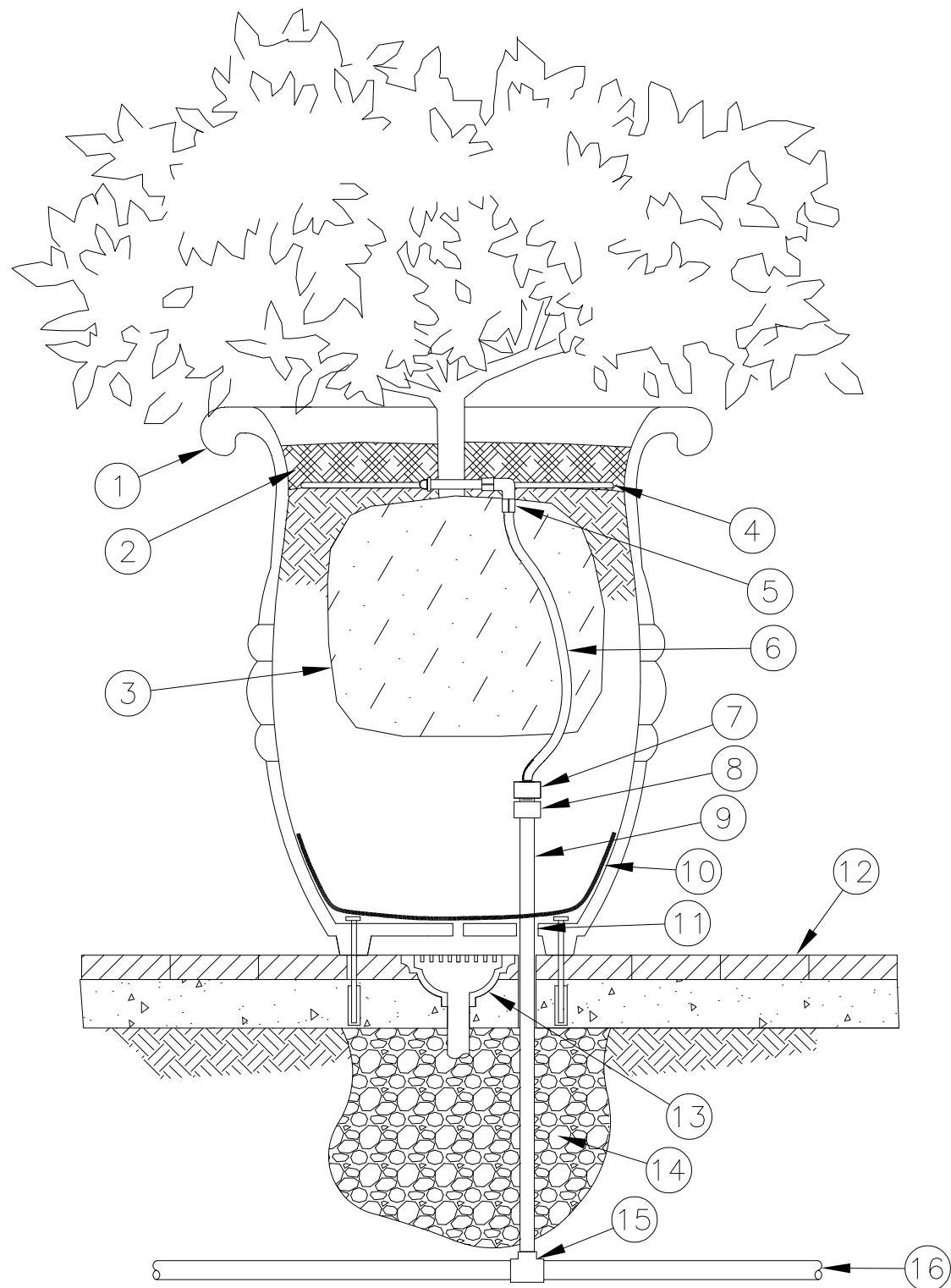


SIDE VIEW

PLAN VIEW



- ① LANDSCAPE PLANTER
- ② 2"-3" DEPTH OF MULCH
- ③ PLANT ROOT BALL
- ④ 1/4-INCH LANDSCAPE DRIPLINE:
RAIN BIRD LDQ0806 OR LDQ0812
- ⑤ 1/2-INCH ELL: RAIN BIRD EASY FIT
COMPRESSION FITTING MDCFEL
- ⑥ 1/2-INCH POLYETHYLENE DISTRIBUTION TUBING:
RAIN BIRD XF SERIES BLANK TUBING
- ⑦ BARB FEMALE ADAPTER: XFD-FA-075
- ⑧ PVC MALE ADAPTER
- ⑨ 3/4-INCH PVC RISER
- ⑩ FILTER FABRIC
- ⑪ 1-INCH DIA. HOLES FOR IRRIGATION SUPPLY LINE
- ⑫ HARDSCAPE SURFACE
- ⑬ DRAIN
- ⑭ DRAINAGE GRAVEL
- ⑮ PVC SCH 40 TEE OR ELL
- ⑯ PVC LATERAL PIPE
- ⑰ 1/4-INCH BARB TEE: RAIN BIRD XBF3TEE
- ⑱ 1/4-INCH BARB FITTING: RAIN BIRD XBF1CONN
- ⑲ REMOVABLE FLUSH CAP: RAIN BIRD MDCFCAP

D

**1/4-INCH LANDSCAPE DRIPLINE
IN LANDSCAPE PLANTER**

N.T.S.

3-17-11

NOTE:

1. AT FITTINGS WHERE THERE IS A CHANGE OF DIRECTION SUCH AS TEES OR ELBOWS, USE TIE-DOWN STAKES ON EACH LEG OF THE CHANGE OF DIRECTION.