

## Vertical Multi-Stage – 2 Pump

### Medium to High Flow Pump Station – 2 Pumps on a Single Deck

25 to 60 HP per pump; Up to 150 psi (10.3 bar); Up to 1000 gpm (63.1 lps, 227 m<sup>3</sup>/h)

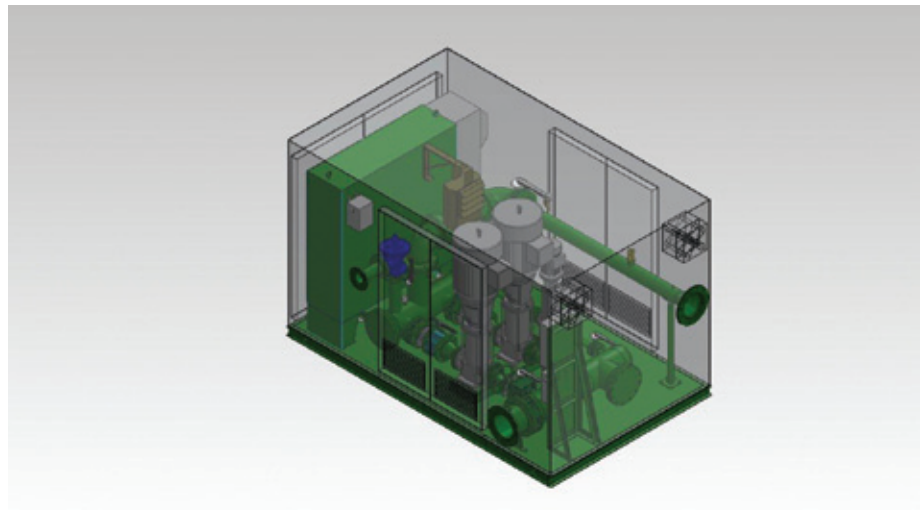
Rain Bird's 2 pump, Vertical Multi-Stage pump station on a powder-coated steel deck is designed for high-flow boost, flooded suction and suction lift applications, such as; parks, sports complexes, golf courses, turf farms and other agricultural projects. Its high-flow, mid-sized design, durable centrifugal pump configuration, choice of options and enclosures allow for a variety of applications. With a PM pump for pressure maintenance and optional IP (Intermediate Pump), this pump station is an ideal choice for irrigation applications with flows up to 1000 gpm (63.1 lps, 227 m<sup>3</sup>/h).

#### At-A-Glance Description

- **Compact & Efficient** – Vertical Multi-Stage pumps with Variable Frequency Drive (VFD) maintain constant pressure at varying flow demand.
- **High flow and high pressure capacity** – up to 1000 gpm at 110 psi (63.1 lps, 227 m<sup>3</sup>/h at 7.6 bar)
- **Sophisticated control package** with enhanced PLC software, large color touch panel display and a choice of communication options for remote access, central control software integration-ready. Pump Manager 2 control software.
- **Choice of filtration options** and accessories.

#### Standard Features

- **Main Pumps – Vertical Multi-Stage**
- **Motors**
  - High Efficiency Motors, TEFC, Class F insulation
- **Mechanical Features**
  - Inlet Butterfly Isolation Valve
  - Discharge Butterfly Isolation Valve
  - Pump Isolation Valve
  - Silent Check Valve
- **Pressure / Flow**
  - Stainless Steel Pressure Transducer
  - Paddle Wheel Flow Meter
- **Enclosures / External Connections**
  - Marine Grade Aluminum Enclosure
  - Polyester Powder-Coated Steel Deck and Piping
  - Heat Exchanger for Electrical Enclosure
  - NEMA 4 Electrical Enclosure
  - Thermostat and Fan on Mechanical Enclosure



- **Pump Control**
    - VFD with pump rotation
    - Illuminated, 3-position HOA switches
    - Resettable Circuit Breakers
  - **Display**
    - 4 Line Monochrome Touch screen
  - **PLC (Programmable Logic Control)**
    - Ethernet-ready PLC Control Package
  - **Lake Level Safety**
    - Low Level Shut Off (Float)
  - **Motors**
    - Motor heaters
  - **Mechanical Features**
    - Pressure Relief Valve
    - Hose Bib
  - **Pressure / Flow**
    - Magnetic Flow Meter
  - **Intake Options**
    - HDPE Suction Intake Piping
    - Foot Valve
    - Intake Screen
    - Self Cleaning Intake Screen
- (continued on back)*

Vertical Multi-Stage – 2 Pump				
Motor Size	25 HP	30 HP	40 HP	60 HP
Power Requirement	480/60/3 V/HZ/PH			
	380/50/3 V/HZ/PH			
	415/50/3 V/HZ/PH			
	575/60/3 V/HZ/PH			
Discharge Flow <sup>(1)</sup>	500 GPM at 115 psi 31.5 LPS, 114 m <sup>3</sup> /hr at 7.9 bar	500 GPM at 150 psi 31.5 LPS, 114 m <sup>3</sup> /hr at 10.3 bar	800 GPM at 105 psi 37.9 LPS, 136 m <sup>3</sup> /hr at 7.2 bar	1000 GPM at 150 psi 63.1 LPS, 227 m <sup>3</sup> /hr at 10.3 bar
Discharge Pipe	4", 6", 8" or 10" flanged fitting			
PM Pump	5 HP Vertical Multi-Stage PM Pump - Optional			
Optional IP Pump	10 – 30 HP - Optional			
Deck Dimensions	7' 0" x 11' 6" (2.13 Meters x 3.51 Meters)			
Min Slab Dimension	9' 0" x 16' 0" (2.74 Meters x 4.88 Meters)			
Wet Well Diameter	84" Diameter (min) 2.1 meters (min)			

(1) Refer to pump performance curves, provided upon request from pumps@rainbird.com

## Optional Features (continued)

- **Pump Control**
  - VPM (VFD Per Motor)
- **Display**
  - 8.4 inch, Color Touch Panel Display, with Ethernet port for VNC Connectivity
- **Communications**
  - Ethernet Radio Modem Kit
  - Hardwire Ethernet Extender kit

## Accessories

- **Enclosures / External Connections**
  - No Enclosure Option
  - Environmental Package includes heater and insulation
  - Air Conditioning for Electrical Cabinet
  - Re-Prime Piping (Suction Lift Only)
  - Power Zone: 3, 5, or 10 kVA (110-220 VAC)
  - Custom Zee Pipe
- **Filters**
  - 6" Wye Strainer Filter (1/8" openings)

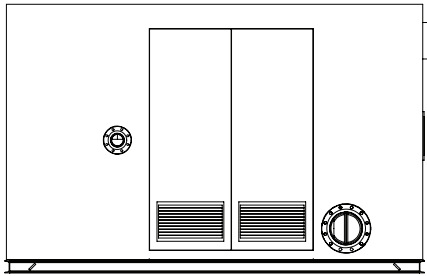
## Intake Filters

- SS Steel Box Screen
- SS Self Cleaning Intake Screen

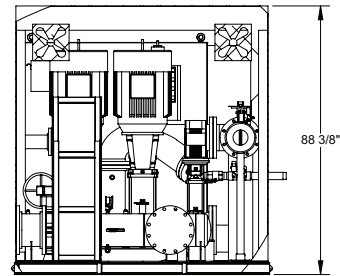
## Lake Level Control

- Lake Level Controls (Float or Analog)
- Lake Level Controls (Analog)
- Low Level Shut Off (Float)
- (continued on back)

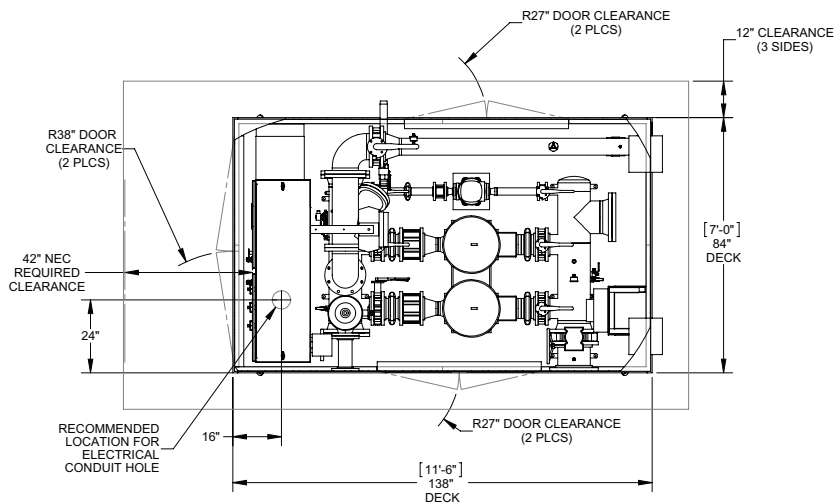
## Details



Profile View (with enclosure option)



Side View



Plan View

**Rain Bird Corporation - Pumps Division**  
 6991 E. Southpoint Road  
 Tucson, AZ 85756  
 Applications Group: (520) 806-5620  
 Fax: (520) 741-6191  
 E-mail: pumps@rainbird.com

The Intelligent Use of Water™  
[www.rainbird.com](http://www.rainbird.com)