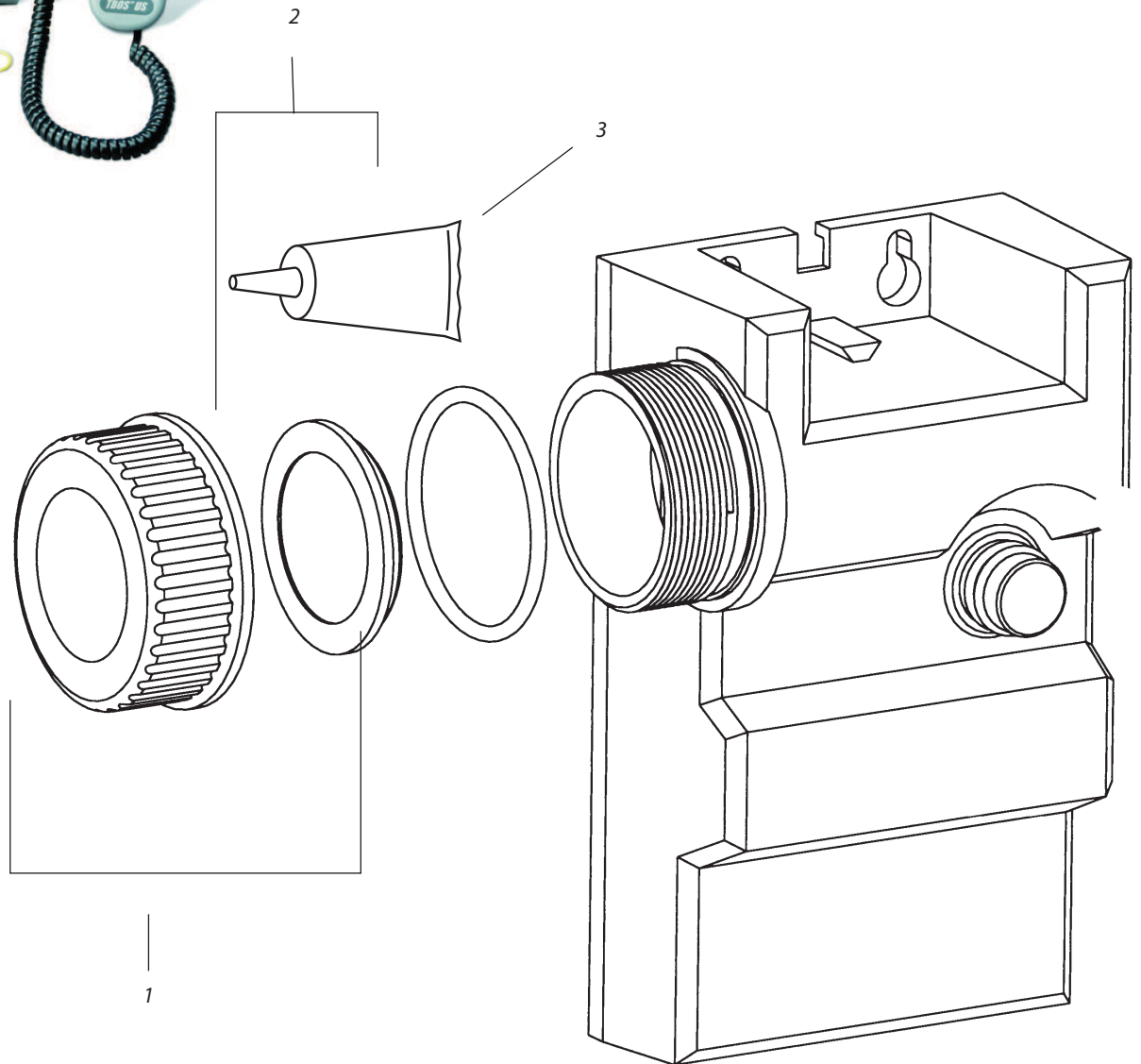


Ref.	Part Description	Part Numbers
1	TBOS FT Battery Cover	636882
2	TBOS FT Infrared Cord	636663

Note: Part numbers enclosed in brackets () are not available individually, but may be sold in assemblies or kits.



Ref.	Part Description	Part Numbers
1	Module Cap + O-ring	(633712)
2	Seal + Protective Grease	(634552)
3	Protective Grease	634542

Note: Part numbers enclosed in brackets () are not available individually, but may be sold in assemblies or kits.