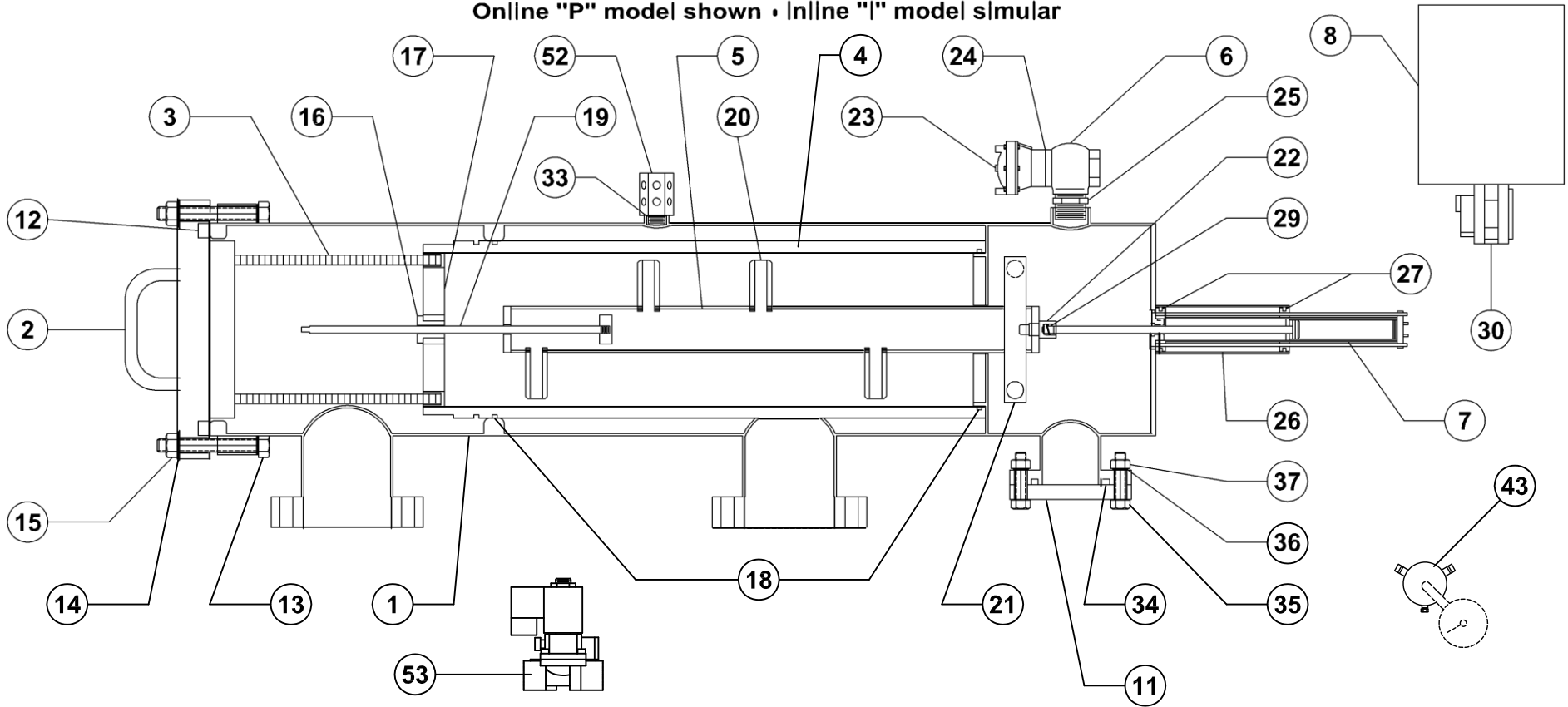


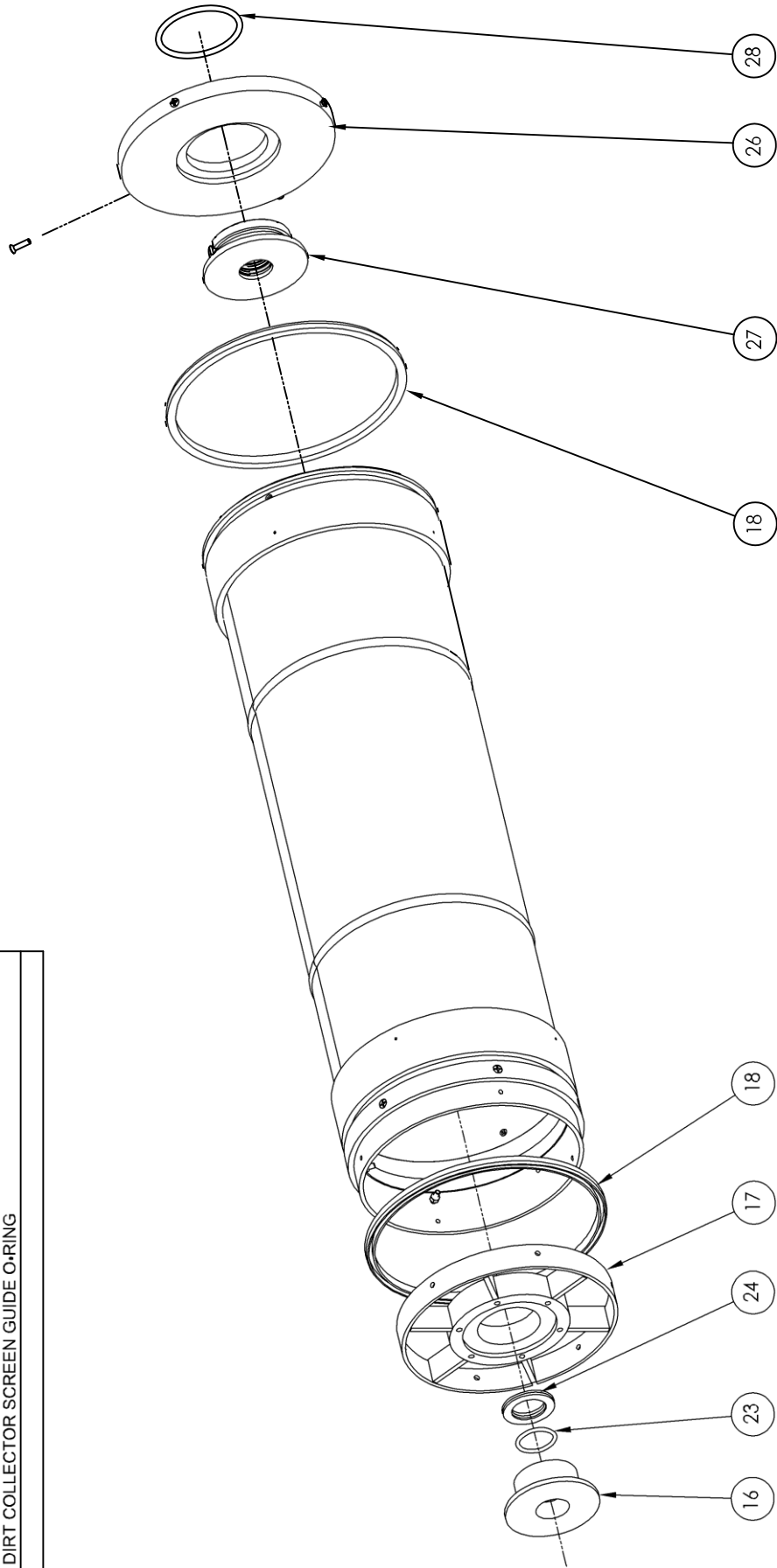
# Typical Filter Assembly Drawing (with piston)

Online "P" model shown • Inline "I" model similar



| No. | Description                   | No. | Description                 | No.                                                                           | Description                          |
|-----|-------------------------------|-----|-----------------------------|-------------------------------------------------------------------------------|--------------------------------------|
| 1   | Filter Housing                | 16  | Upper Bearing               | 30                                                                            | Differential Pressure Switch         |
| 2   | Cover                         | 17  | Fine Screen Handle          | 33                                                                            | Manifold O-Ring                      |
| 3   | Coarse Screen                 | 18  | Fine Screen O-Ring          | 34                                                                            | Hydraulic Motor Chamber Cover Seal   |
| 4   | Fine Screen                   | 19  | Dirt Collector Shaft        | 35                                                                            | Hydraulic Motor Chamber Cover Bolt   |
| 5   | Dirt Collector Assembly       | 20  | Dirt Collector Nozzle       | 36                                                                            | Hydraulic Motor Chamber Cover Washer |
| 6   | Rinse Valve Assembly          | 21  | Hydraulic Motor             | 37                                                                            | Hydraulic Motor Chamber Cover Nut    |
| 7   | Hydraulic Piston Assembly     | 22  | Lower Bearing               | 43                                                                            | 3-Way Mini Valve (Gauge optional)    |
| 8   | Controller                    | 23  | Rinse Valve Actuator        | 52                                                                            | Two Stage Manifold                   |
| 11  | Hydraulic Motor Chamber Cover | 24  | Rinse Valve Actuator O-Ring | 53                                                                            | Two Way Solenoid Valve - 24 VAC      |
| 12  | Cover Seal                    | 25  | Nipple                      | <b>RAIN BIRD CORPORATION</b><br>6991 EAST SOUTHPOINT ROAD<br>TUCSON, AZ 85756 |                                      |
| 13  | Cover Bolt                    | 26  | Outer Guard                 |                                                                               |                                      |
| 14  | Cover Washer                  | 27  | Outer Guard O-Ring          |                                                                               |                                      |
| 15  | Cover Nut                     | 29  | Bushing Assembly            |                                                                               |                                      |

| FIND | DESCRIPTION                                          |
|------|------------------------------------------------------|
| 16   | DIRT COLLECTOR FRONT SUPPORT HOUSING                 |
| 17   | FINE SCREEN HANDLE                                   |
| 18   | FINE SCREEN SEAL                                     |
| 23   | FRONT & REAR DIRT COLLECTOR SUPPORT HOUSING O-RING   |
| 24   | FRONT & REAR DIRT COLLECTOR SUPPORT HOUSING SEAL SET |
| 26   | DIRT COLLECTOR SCREEN GUIDE DISC                     |
| 27   | DIRT COLLECTOR SCREEN GUIDE                          |
| 28   | DIRT COLLECTOR SCREEN GUIDE O-RING                   |



|                           |                   |
|---------------------------|-------------------|
| DRAWING NO.:<br>7102      | SCALE: NONE       |
| DRAWN BY:<br>G KALINOWSKI | DATE:<br>03/01/13 |

**RAIN BIRD IRRIGATION FILTRATION SYSTEMS  
REVISED REPLACEMENT PARTS LIST  
JUNE 17, 2015**

**I-Series Filter Parts**

| Part Number | HS-I-02-PE Spare Parts Description                                                               | Recommended Spares |
|-------------|--------------------------------------------------------------------------------------------------|--------------------|
| 02BE00      | Cover                                                                                            |                    |
| 03BE00      | Coarse Screen                                                                                    |                    |
| 4*BE00      | Fine Screen Assembly (50 - 3000 micron only)** supplied with P/N 16BE00, 17BE00, and two 18BE00  | 1                  |
| 05BE13      | Dirt Collector Assembly - St/St supplied with P/N 19BE13, two welded nozzles, 21BE13, and 29BE13 | 1                  |
| 06BE00      | 2" Rinse Valve Assembly                                                                          |                    |
| 12BE00      | Cover/Housing Seal                                                                               | 1                  |
| 13BE13      | 1/2" Cover Bolt - St/St (6 req'd)                                                                |                    |
| 14BE13      | 1/2" Cover/Housing Washer - St/St (6 req'd)                                                      |                    |
| 15BE13      | 1/2" Cover Nut - St/St (6 req'd)                                                                 |                    |
| 16BE00      | Shaft Bearing/Upper Bearing - Brass                                                              | 1                  |
| 17BE00      | Fine Screen Handle                                                                               |                    |
| 18BE00      | Fine Screen O-Ring (2 req'd)                                                                     | 2                  |
| 19BE13      | Dirt Collector Shaft - St/St                                                                     |                    |
| 21BE13      | Hydraulic Motor - St/St                                                                          |                    |
| 22BE13      | Lower Bearing - St/St                                                                            | 1                  |
| 23BE00      | 2" Rinse Valve Actuator (1 req'd)                                                                | 1                  |
| 24BE00      | Rinse Valve Actuator O-Ring (1 req'd)                                                            | 1                  |
| 25BE00      | 2" Nipple (Rinse Valve to Body) (1 req'd)                                                        |                    |
| 29BE13      | Bushing Assembly - St/St                                                                         | 1                  |
| 30BE00      | Differential Pressure Switch                                                                     | 1                  |
| 33BE00      | Manifold O-Ring                                                                                  |                    |
| 43BE00      | Three Way Mini Valve                                                                             |                    |
| 45BE00      | Fine Screen Extractor                                                                            | 1                  |
| 46BE00      | 2" Controlled Outlet Valve Assembly                                                              |                    |
| 47BE00      | 2" Rinse Valve Body (90°)                                                                        |                    |
| 48BE00      | 2" Controlled Outlet Valve Body (45°)                                                            |                    |
| 50BE00      | Fitting and Tubing Kit                                                                           | 1                  |
| 52BE13      | Two Stage Manifold - St/St                                                                       |                    |
| 53BE00      | Solenoid Valve, 24 Vac, 2-Way, N.C.                                                              | 1                  |
| 66BE00      | Pneumatic Control Conversion Kit                                                                 |                    |
| 68BE00      | 2" Plug                                                                                          |                    |
| 70BE00      | 2-Wire Latching Solenoid Valve                                                                   |                    |
| 75BE00      | 1/2" Vacuum Breaker                                                                              |                    |
| G37AE00     | Pressure Gauge                                                                                   |                    |
| 10221034    | Silicone Tube                                                                                    | 2                  |
| 10221035    | Teflon Tape                                                                                      |                    |

\* Z - 5, Y - 10, A - 15, B - 25, C - 30, D - 40, E - 50, F - 80, G - 100, H - 120, J - 150, K - 200, R - 300, L - 400, M - 800, N - 1000, P - 1500, Q - 3000.

\*\* 15 & 25 are priced at \$877.00 each; 30 & 40 are priced at \$671.00 each. All screen sizes are in microns.

Wedge Wire & Multi-Layered, Sintered St/St Screens are also available. Please contact Rain Bird for additional details.

**RAIN BIRD IRRIGATION FILTRATION SYSTEMS  
REVISED PARTS LIST  
JUNE 17, 2015**

| <b>Part Number</b> | <b>HS-I-04-PS Spare Parts Description</b>                                                  | <b>Recommended Spares</b> |
|--------------------|--------------------------------------------------------------------------------------------|---------------------------|
| 02BE00             | Cover                                                                                      |                           |
| 03DS00             | Coarse Screen                                                                              |                           |
| 4*DS00             | Fine Screen Assembly (50 - 3000 micron only)** supplied                                    | 1                         |
|                    | with P/N 16BE00, 17BE00, and two 18BE00                                                    |                           |
| 05DS13             | Dirt Collector Assembly - St/St supplied with P/N 19DS13,                                  | 1                         |
|                    | two welded nozzles, 21DS13, and 29BE13                                                     |                           |
| 06BE00             | 2" Rinse Valve Assembly                                                                    |                           |
| 12BE00             | Cover/Housing Seal                                                                         | 1                         |
| 13BE13             | 1/2" Cover Bolt - St/St (6 req'd)                                                          |                           |
| 14BE13             | 1/2" Cover/Housing Washer - St/St (6 req'd)                                                |                           |
| 15BE13             | 1/2" Cover Nut - St/St (6 req'd)                                                           |                           |
| 16BE00             | Shaft Bearing/Upper Bearing - Brass                                                        | 1                         |
| 17BE00             | Fine Screen Handle                                                                         |                           |
| 18BE00             | Fine Screen O-Ring (2 req'd)                                                               | 2                         |
| 19DS13             | Dirt Collector Shaft - St/St                                                               |                           |
| 21DS13             | Hydraulic Motor - St/St                                                                    |                           |
| 22BE13             | Lower Bearing - St/St                                                                      | 1                         |
| 23BE00             | 2" Rinse Valve Actuator (2 req'd)                                                          | 1                         |
| 24BE00             | Rinse Valve Actuator O-Ring (2 req'd)                                                      | 1                         |
| 25BE00             | 2" Nipple (Rinse Valve to Body) (2 req'd)                                                  |                           |
| 29BE13             | Bushing Assembly - St/St                                                                   | 1                         |
| 30BE00             | Differential Pressure Switch                                                               | 1                         |
| 33BE00             | Manifold O-Ring                                                                            |                           |
| 43BE00             | Three Way Mini Valve                                                                       |                           |
| 45BE00             | Fine Screen Extractor                                                                      | 1                         |
| 46DS00             | 4" Controlled Outlet Valve Assembly supplied with a<br>Solenoid Valve, 24 Vac, 3-Way, N.C. |                           |
| 47BE00             | 2" Rinse Valve Body (90°)                                                                  |                           |
| 50BE00             | Fitting and Tubing Kit                                                                     | 1                         |
| 52BE13             | Two Stage Manifold - St/St                                                                 |                           |
| 53BE00             | Solenoid Valve, 24 Vac, 2-Way, N.C.                                                        | 1                         |
| 66BE00             | Pneumatic Control Conversion Kit                                                           |                           |
| 68BE00             | 2" Plug                                                                                    |                           |
| 70BE00             | 2-Wire Latching Solenoid Valve                                                             |                           |
| 75BE00             | 1/2" Vacuum Breaker                                                                        |                           |
| G37AE00            | Pressure Gauge                                                                             |                           |
| 10221034           | Silicone Tube                                                                              | 2                         |
| 10221035           | Teflon Tape                                                                                | 1                         |

Prices in effect as of 7/1/2008 and are subject to change without notice. Last revised 2/21/2011.

\* Z - 5, Y - 10, A - 15, B - 25, C - 30, D - 40, E - 50, F - 80, G - 100, H - 120, J - 150, K - 200, R - 300, L - 400, M - 800, N - 1000,

**RAIN BIRD IRRIGATION FILTRATION SYSTEMS  
REVISED PARTS LIST  
JUNE 17, 2015**

P - 1500, Q - 3000. \*\* 15 & 25 are priced at \$1,026.00 each; 30 & 40 are priced at \$783.00 each. All screen sizes are in microns. Wedge Wire & Multi-Layered, Sintered St/St Screens are also available. Please contact Rain Bird for additional details.

| <b>Part Number</b> | <b>HS-I-04-PE Spare Parts Description</b>                                                          | <b>Recommended Spares</b> |
|--------------------|----------------------------------------------------------------------------------------------------|---------------------------|
| 02BE00             | Cover                                                                                              |                           |
| 03DE00             | Coarse Screen                                                                                      |                           |
| 4*DE00             | Fine Screen Assembly (50 - 3000 micron only)** supplied<br>with P/N 16CE13, 17BE00, and two 18BE00 | 1                         |
| 05DE00             | Dirt Collector Assembly - PVC supplied with P/N 19DE00,<br>four 20DE00, 21DE00, and 22DE00         | 1                         |
| 05DE0A             | Dirt Collector Plain Front Cap - PVC                                                               |                           |
| 05DE0B             | Dirt Collector Threaded Back Cap - PVC                                                             |                           |
| 05DE0C             | Dirt Collector Shaft Holder Assembly - PVC supplied with<br>P/N 05DE0D                             |                           |
| 05DE0D             | Dirt Collector Shaft Threaded Insert - Brass                                                       |                           |
| 06BE00             | 2" Rinse Valve Assembly                                                                            |                           |
| 07CE13             | Hydraulic Piston Assembly - 38 mm                                                                  | 1                         |
| 7ACE13             | Hydraulic Piston Repair Kit - 38 mm                                                                |                           |
| 11CE00             | Hydraulic Motor Chamber Cover                                                                      |                           |
| 12BE00             | Cover/Housing Seal                                                                                 | 1                         |
| 13BE13             | 1/2" Cover Bolt - St/St (6 req'd)                                                                  |                           |
| 14BE13             | 1/2" Cover/Housing Washer - St/St (6 req'd)                                                        |                           |
| 15BE13             | 1/2" Cover Nut - St/St (6 req'd)                                                                   |                           |
| 16CE13             | Shaft Bearing/Upper Bearing - St/St                                                                | 1                         |
| 17BE00             | Fine Screen Handle                                                                                 |                           |
| 18BE00             | Fine Screen O-Ring (2 req'd)                                                                       | 2                         |
| 19DE00             | Dirt Collector Shaft - Brass                                                                       |                           |
| 20DE00             | Dirt Collector Nozzle - PVC                                                                        |                           |
| 21DE00             | Hydraulic Motor - PVC                                                                              |                           |
| 22DE00             | Lower Bearing                                                                                      | 1                         |
| 23BE00             | 2" Rinse Valve Actuator (2 req'd)                                                                  | 1                         |
| 24BE00             | Rinse Valve Actuator O-Ring (2 req'd)                                                              | 1                         |
| 25BE00             | 2" Nipple (Rinse Valve to Body) (2 req'd)                                                          |                           |
| 26CE00             | Hydraulic Piston Outer Guard                                                                       |                           |
| 27CE00             | Hydraulic Piston Outer Guard O-Ring (2 req'd)                                                      |                           |
| 29CE13             | Bushing Assembly - St/St                                                                           | 1                         |
| 30BE00             | Differential Pressure Switch                                                                       | 1                         |
| 33BE00             | Manifold O-Ring                                                                                    |                           |
| 34CE00             | Hydraulic Motor Chamber Cover Seal                                                                 | 1                         |
| 35CE13             | Hydraulic Motor Chamber Cover Bolt -St/St (4 req'd)                                                |                           |
| 36CE13             | Hydraulic Motor Chamber Cover Washer -St/St (8 req'd)                                              |                           |

**RAIN BIRD IRRIGATION FILTRATION SYSTEMS  
REVISED PARTS LIST  
JUNE 17, 2015**

|          |                                                                                         |   |
|----------|-----------------------------------------------------------------------------------------|---|
| 37CE13   | Hydraulic Motor Chamber Cover Nut - St/St (4 req'd)                                     |   |
| 43BE00   | Three Way Mini Valve                                                                    |   |
| 45BE00   | Fine Screen Extractor                                                                   | 1 |
| 46DS00   | 4" Controlled Outlet Valve Assembly supplied with a Solenoid Valve, 24 Vac, 3-Way, N.C. |   |
| 47BE00   | 2" Rinse Valve Body (90°)                                                               |   |
| 50BE00   | Fitting and Tubing Kit                                                                  | 1 |
| 52BE13   | Two Stage Manifold - St/St                                                              |   |
| 53BE00   | Solenoid Valve, 24 Vac, 2-Way, N.C.                                                     | 1 |
| 66CE00   | Pneumatic Control Conversion Kit                                                        |   |
| 68BE00   | 2" Plug                                                                                 |   |
| 70BE00   | 2-Wire Latching Solenoid Valve                                                          |   |
| 72BE00   | 1/4" Flow Control Needle Valve                                                          |   |
| 75BE00   | 1/2" Vacuum Breaker                                                                     |   |
| 76BE13   | 1/4" Piston Mounting Stud - St/St (6 req'd)                                             |   |
| 77BE13   | 1/4" Piston Mounting Nut - St/St (6 req'd)                                              |   |
| G37AE00  | Pressure Gauge                                                                          |   |
| 10221034 | Silicone Tube                                                                           | 2 |
| 10221035 | Teflon Tape                                                                             | 1 |

Prices in effect as of 7/1/2008 and are subject to change without notice. Last revised 2/21/2011.

\* Z - 5, Y - 10, A - 15, B - 25, C - 30, D - 40, E - 50, F - 80, G - 100, H - 120, J - 150, K - 200, R - 300, L - 400, M - 800, N - 1000,

P - 1500, Q - 3000. \*\* 15 & 25 are priced at \$2,503.00 each; 30 & 40 are priced at \$1,891.00 each. All screen sizes are in microns. Wedge Wire & Multi-Layered, Sintered St/St Screens are also available. Please contact Rain Bird for additional details.

| <b>Part Number</b> | <b>HS-I-06-PE Spare Parts Description</b>                                                       | <b>Recommended Spares</b> |
|--------------------|-------------------------------------------------------------------------------------------------|---------------------------|
| 02BE00             | Cover                                                                                           |                           |
| 03EE00             | Coarse Screen                                                                                   |                           |
| 4*DE00             | Fine Screen Assembly (50 - 3000 micron only)** supplied with P/N 16CE13, 17BE00, and two 18BE00 | 1                         |
| 05DE00             | Dirt Collector Assembly - PVC supplied with P/N 19DE00, four 20DE00, 21DE00, and 22DE00         | 1                         |
| 05DE0A             | Dirt Collector Plain Front Cap - PVC                                                            |                           |
| 05DE0B             | Dirt Collector Threaded Back Cap - PVC                                                          |                           |
| 05DE0C             | Dirt Collector Shaft Holder Assembly - PVC supplied with P/N 05DE0D                             |                           |
| 05DE0D             | Dirt Collector Shaft Threaded Insert - Brass                                                    |                           |
| 06BE00             | 2" Rinse Valve Assembly                                                                         |                           |
| 07CE13             | Hydraulic Piston Assembly - 38 mm                                                               | 1                         |
| 7ACE13             | Hydraulic Piston Repair Kit - 38 mm                                                             |                           |
| 11CE00             | Hydraulic Motor Chamber Cover                                                                   |                           |
| 12BE00             | Cover/Housing Seal                                                                              | 1                         |

**RAIN BIRD IRRIGATION FILTRATION SYSTEMS  
REVISED PARTS LIST  
JUNE 17, 2015**

|          |                                                                                         |           |   |
|----------|-----------------------------------------------------------------------------------------|-----------|---|
| 13EE13   | 1/2" Cover Stud - St/St                                                                 | (6 req'd) |   |
| 14BE13   | 1/2" Cover/Housing Washer - St/St                                                       | (6 req'd) |   |
| 15BE13   | 1/2" Cover Nut - St/St                                                                  | (6 req'd) |   |
| 16CE13   | Shaft Bearing/Upper Bearing - St/St                                                     |           | 1 |
| 17BE00   | Fine Screen Handle                                                                      |           |   |
| 18BE00   | Fine Screen O-Ring                                                                      | (2 req'd) | 2 |
| 19DE00   | Dirt Collector Shaft - Brass                                                            |           |   |
| 20DE00   | Dirt Collector Nozzle - PVC                                                             |           |   |
| 21DE00   | Hydraulic Motor - PVC                                                                   |           |   |
| 22DE00   | Lower Bearing                                                                           |           | 1 |
| 23BE00   | 2" Rinse Valve Actuator                                                                 | (2 req'd) | 1 |
| 24BE00   | Rinse Valve Actuator O-Ring                                                             | (2 req'd) | 1 |
| 25BE00   | 2" Nipple (Rinse Valve to Body)                                                         | (2 req'd) |   |
| 26CE00   | Hydraulic Piston Outer Guard                                                            |           |   |
| 27CE00   | Hydraulic Piston Outer Guard O-Ring                                                     | (2 req'd) |   |
| 29CE13   | Bushing Assembly - St/St                                                                |           | 1 |
| 30BE00   | Differential Pressure Switch                                                            |           | 1 |
| 33BE00   | Manifold O-Ring                                                                         |           |   |
| 34CE00   | Hydraulic Motor Chamber Cover Seal                                                      |           | 1 |
| 35CE13   | Hydraulic Motor Chamber Cover Bolt -St/St                                               | (4 req'd) |   |
| 36CE13   | Hydraulic Motor Chamber Cover Washer -St/St                                             | (8 req'd) |   |
| 37CE13   | Hydraulic Motor Chamber Cover Nut - St/St                                               | (4 req'd) |   |
| 43BE00   | Three Way Mini Valve                                                                    |           |   |
| 45BE00   | Fine Screen Extractor                                                                   |           | 1 |
| 46EE00   | 6" Controlled Outlet Valve Assembly supplied with a Solenoid Valve, 24 Vac, 3-Way, N.C. |           |   |
| 47BE00   | 2" Rinse Valve Body (90°)                                                               |           |   |
| 50BE00   | Fitting and Tubing Kit                                                                  |           | 1 |
| 52BE13   | Two Stage Manifold - St/St                                                              |           |   |
| 53BE00   | Solenoid Valve, 24 Vac, 2-Way, N.C.                                                     |           | 1 |
| 66CE00   | Pneumatic Control Conversion Kit                                                        |           |   |
| 68BE00   | 2" Plug                                                                                 |           |   |
| 70BE00   | 2-Wire Latching Solenoid Valve                                                          |           |   |
| 72BE00   | 1/4" Flow Control Needle Valve                                                          |           |   |
| 75BE00   | 1/2" Vacuum Breaker                                                                     |           |   |
| 76BE13   | 1/4" Piston Mounting Stud - St/St                                                       | (6 req'd) |   |
| 77BE13   | 1/4" Piston Mounting Nut - St/St                                                        | (6 req'd) |   |
| G37AE00  | Pressure Gauge                                                                          |           |   |
| 10221034 | Silicone Tube                                                                           |           | 2 |
| 10221035 | Teflon Tape                                                                             |           | 1 |

Prices in effect as of 7/1/2008 and are subject to change without notice. Last revised 2/21/2011.

\* Z - 5, Y - 10, A - 15, B - 25, C - 30, D - 40, E - 50, F - 80, G - 100, H - 120, J - 150, K - 200, R - 300, L - 400, M - 800, N - 1000, P - 1500, Q - 3000. \*\* 15 & 25 are priced at \$2,503.00 each; 30 & 40 are priced at \$1,891.00 each. All screen sizes are in microns.

**RAIN BIRD IRRIGATION FILTRATION SYSTEMS  
REVISED PARTS LIST  
JUNE 17, 2015**

Wedge Wire & Multi-Layered, Sintered St/St Screens are also available. Please contact Rain Bird for additional details.

| <b>Part Number</b> | <b>HS-I-08-PS Spare Parts Description</b>                                                          | <b>Recommended Spares</b> |
|--------------------|----------------------------------------------------------------------------------------------------|---------------------------|
| 02BE00             | Cover                                                                                              |                           |
| 03FS00             | Coarse Screen                                                                                      |                           |
| 4*DE00             | Fine Screen Assembly (50 - 3000 micron only)** supplied<br>with P/N 16CE13, 17BE00, and two 18BE00 | 1                         |
| 05DE00             | Dirt Collector Assembly - PVC supplied with P/N 19DE00,<br>four 20DE00, 21DE00, and 22DE00         | 1                         |
| 05DE0A             | Dirt Collector Plain Front Cap - PVC                                                               |                           |
| 05DE0B             | Dirt Collector Threaded Back Cap - PVC                                                             |                           |
| 05DE0C             | Dirt Collector Shaft Holder Assembly - PVC supplied with<br>P/N 05DE0D                             |                           |
| 05DE0D             | Dirt Collector Shaft Threaded Insert - Brass                                                       |                           |
| 06BE00             | 2" Rinse Valve Assembly                                                                            |                           |
| 07CE13             | Hydraulic Piston Assembly - 38 mm                                                                  | 1                         |
| 7ACE13             | Hydraulic Piston Repair Kit - 38 mm                                                                |                           |
| 11CE00             | Hydraulic Motor Chamber Cover                                                                      |                           |
| 12BE00             | Cover/Housing Seal                                                                                 | 1                         |
| 13EE13             | 1/2" Cover Stud - St/St (6 req'd)                                                                  |                           |
| 14BE13             | 1/2" Cover/Housing Washer - St/St (6 req'd)                                                        |                           |
| 15BE13             | 1/2" Cover Nut - St/St (6 req'd)                                                                   |                           |
| 16CE13             | Shaft Bearing/Upper Bearing - St/St                                                                | 1                         |
| 17BE00             | Fine Screen Handle                                                                                 |                           |
| 18BE00             | Fine Screen O-Ring (2 req'd)                                                                       | 2                         |
| 19DE00             | Dirt Collector Shaft - Brass                                                                       |                           |
| 20DE00             | Dirt Collector Nozzle - PVC                                                                        |                           |
| 21DE00             | Hydraulic Motor - PVC                                                                              |                           |
| 22DE00             | Lower Bearing                                                                                      | 1                         |
| 23BE00             | 2" Rinse Valve Actuator (2 req'd)                                                                  | 1                         |
| 24BE00             | Rinse Valve Actuator O-Ring (2 req'd)                                                              | 1                         |
| 25BE00             | 2" Nipple (Rinse Valve to Body) (2 req'd)                                                          |                           |
| 26CE00             | Hydraulic Piston Outer Guard                                                                       |                           |
| 27CE00             | Hydraulic Piston Outer Guard O-Ring (2 req'd)                                                      |                           |
| 29CE13             | Bushing Assembly - St/St                                                                           | 1                         |
| 30BE00             | Differential Pressure Switch                                                                       | 1                         |
| 33BE00             | Manifold O-Ring                                                                                    |                           |
| 34CE00             | Hydraulic Motor Chamber Cover Seal                                                                 | 1                         |
| 35CE13             | Hydraulic Motor Chamber Cover Bolt -St/St (4 req'd)                                                |                           |
| 36CE13             | Hydraulic Motor Chamber Cover Washer -St/St (8 req'd)                                              |                           |
| 37CE13             | Hydraulic Motor Chamber Cover Nut - St/St (4 req'd)                                                |                           |



**RAIN BIRD IRRIGATION FILTRATION SYSTEMS  
REVISED PARTS LIST  
JUNE 17, 2015**

|          |                                                                                         |   |
|----------|-----------------------------------------------------------------------------------------|---|
| 43BE00   | Three Way Mini Valve                                                                    |   |
| 45BE00   | Fine Screen Extractor                                                                   | 1 |
| 46FS00   | 8" Controlled Outlet Valve Assembly supplied with a Solenoid Valve, 24 Vac, 3-Way, N.C. |   |
| 47BE00   | 2" Rinse Valve Body (90°)                                                               |   |
| 50BE00   | Fitting and Tubing Kit                                                                  | 1 |
| 52BE13   | Two Stage Manifold - St/St                                                              |   |
| 53BE00   | Solenoid Valve, 24 Vac, 2-Way, N.C.                                                     | 1 |
| 66CE00   | Pneumatic Control Conversion Kit                                                        |   |
| 68BE00   | 2" Plug                                                                                 |   |
| 70BE00   | 2-Wire Latching Solenoid Valve                                                          |   |
| 72BE00   | 1/4" Flow Control Needle Valve                                                          |   |
| 75BE00   | 1/2" Vacuum Breaker                                                                     |   |
| 76BE13   | 1/4" Piston Mounting Stud - St/St (6 req'd)                                             |   |
| 77BE13   | 1/4" Piston Mounting Nut - St/St (6 req'd)                                              |   |
| G37AE00  | Pressure Gauge                                                                          |   |
| 10221034 | Silicone Tube                                                                           | 2 |
| 10221035 | Teflon Tape                                                                             | 1 |

Prices in effect as of 7/1/2008 and are subject to change without notice. Last revised 2/21/2011.

\* Z - 5, Y - 10, A - 15, B - 25, C - 30, D - 40, E - 50, F - 80, G - 100, H - 120, J - 150, K - 200, R - 300, L - 400, M - 800, N - 1000, P - 1500, Q - 3000. \*\* 15 & 25 are priced at \$2,503.00 each; 30 & 40 are priced at \$1,891.00 each. All screen sizes are in microns.

Wedge Wire & Multi-Layered, Sintered St/St Screens are also available. Please contact Rain Bird for additional details.

| Part Number | HS-I-08-PE Spare Parts Description                                                              | Recommended Spares |
|-------------|-------------------------------------------------------------------------------------------------|--------------------|
| 02BE00      | Cover                                                                                           |                    |
| 03FS00      | Coarse Screen                                                                                   |                    |
| 4*FE00      | Fine Screen Assembly (50 - 3000 micron only)** supplied with P/N 16CE13, 17BE00, and two 18BE00 | 1                  |
| 05FE13      | Dirt Collector Assembly - St/St supplied with P/N 19DE00, six 20FE00, 21FE13, and 22DE00        | 1                  |
| 05FE0A      | Dirt Collector Plain Front Cap - PVC                                                            |                    |
| 05FE0B      | Dirt Collector Threaded Back Cap - PVC                                                          |                    |
| 05FE0C      | Dirt Collector Shaft Holder Assembly - PVC supplied with P/N 05DE0D                             |                    |
| 05DE0D      | Dirt Collector Shaft Threaded Insert - Brass                                                    |                    |
| 06BE00      | 2" Rinse Valve Assembly                                                                         |                    |
| 07CE13      | Hydraulic Piston Assembly - 38 mm                                                               | 1                  |
| 7ACE13      | Hydraulic Piston Repair Kit - 38 mm                                                             |                    |
| 11CE00      | Hydraulic Motor Chamber Cover                                                                   |                    |
| 12BE00      | Cover/Housing Seal                                                                              | 1                  |
| 13EE13      | 1/2" Cover Stud - St/St (6 req'd)                                                               |                    |

**RAIN BIRD IRRIGATION FILTRATION SYSTEMS  
REVISED PARTS LIST  
JUNE 17, 2015**

|          |                                                                                            |           |   |
|----------|--------------------------------------------------------------------------------------------|-----------|---|
| 14BE13   | 1/2" Cover/Housing Washer - St/St                                                          | (6 req'd) |   |
| 15BE13   | 1/2" Cover Nut - St/St                                                                     | (6 req'd) |   |
| 16CE13   | Shaft Bearing/Upper Bearing - St/St                                                        |           | 1 |
| 17BE00   | Fine Screen Handle                                                                         |           |   |
| 18BE00   | Fine Screen O-Ring                                                                         | (2 req'd) | 2 |
| 19DE00   | Dirt Collector Shaft - Brass                                                               |           |   |
| 20FE00   | Dirt Collector Nozzle - PVC                                                                |           |   |
| 21FE13   | Hydraulic Motor - St/St                                                                    |           |   |
| 22DE00   | Lower Bearing                                                                              |           | 1 |
| 23BE00   | 2" Rinse Valve Actuator                                                                    | (3 req'd) | 1 |
| 24BE00   | Rinse Valve Actuator O-Ring                                                                | (3 req'd) | 1 |
| 25BE00   | 2" Nipple (Rinse Valve to Body)                                                            | (3 req'd) |   |
| 26CE00   | Hydraulic Piston Outer Guard                                                               |           |   |
| 27CE00   | Hydraulic Piston Outer Guard O-Ring                                                        | (2 req'd) |   |
| 29CE13   | Bushing Assembly - St/St                                                                   |           | 1 |
| 30BE00   | Differential Pressure Switch                                                               |           | 1 |
| 33BE00   | Manifold O-Ring                                                                            |           |   |
| 34CE00   | Hydraulic Motor Chamber Cover Seal                                                         |           | 1 |
| 35CE13   | Hydraulic Motor Chamber Cover Bolt -St/St                                                  | (4 req'd) |   |
| 36CE13   | Hydraulic Motor Chamber Cover Washer -St/St                                                | (8 req'd) |   |
| 37CE13   | Hydraulic Motor Chamber Cover Nut - St/St                                                  | (4 req'd) |   |
| 43BE00   | Three Way Mini Valve                                                                       |           |   |
| 45BE00   | Fine Screen Extractor                                                                      |           | 1 |
| 46FS00   | 8" Controlled Outlet Valve Assembly supplied with a<br>Solenoid Valve, 24 Vac, 3-Way, N.C. |           |   |
| 47BE00   | 2" Rinse Valve Body (90°)                                                                  |           |   |
| 50BE00   | Fitting and Tubing Kit                                                                     |           | 1 |
| 52BE13   | Two Stage Manifold - St/St                                                                 |           |   |
| 53BE00   | Solenoid Valve, 24 Vac, 2-Way, N.C.                                                        |           | 1 |
| 66CE00   | Pneumatic Control Conversion Kit                                                           |           |   |
| 68BE00   | 2" Plug                                                                                    |           |   |
| 70BE00   | 2-Wire Latching Solenoid Valve                                                             |           |   |
| 72BE00   | 1/4" Flow Control Needle Valve                                                             |           |   |
| 75BE00   | 1/2" Vacuum Breaker                                                                        |           |   |
| 76BE13   | 1/4" Piston Mounting Stud - St/St                                                          | (6 req'd) |   |
| 77BE13   | 1/4" Piston Mounting Nut - St/St                                                           | (6 req'd) |   |
| G37AE00  | Pressure Gauge                                                                             |           |   |
| 10221034 | Silicone Tube                                                                              |           | 2 |
| 10221035 | Teflon Tape                                                                                |           | 1 |

Prices in effect as of 7/1/2008 and are subject to change without notice. Last revised 2/21/2011.

\* Z - 5, Y - 10, A - 15, B - 25, C - 30, D - 40, E - 50, F - 80, G - 100, H - 120, J - 150, K - 200, R - 300, L - 400, M - 800, N - 1000, P - 1500, Q - 3000. \*\* 15 & 25 are priced at \$3,724.00 each; 30 & 40 are priced at \$2,808.00 each. All screen sizes are in microns.

Wedge Wire & Multi-Layered, Sintered St/St Screens are also available. Please contact Rain Bird for additional details.

**RAIN BIRD IRRIGATION FILTRATION SYSTEMS  
REVISED PARTS LIST  
JUNE 17, 2015**

| <b>Part Number</b> | <b>HS-I-10-PS Spare Parts Description</b>                                                          | <b>Recommended Spares</b> |
|--------------------|----------------------------------------------------------------------------------------------------|---------------------------|
| 02GS00             | Cover                                                                                              |                           |
| 03GS00             | Coarse Screen                                                                                      |                           |
| 4*GS00             | Fine Screen Assembly (50 - 3000 micron only)** supplied<br>with P/N 16CE13, 17GS00, and two 18GS00 | 1                         |
| 05GS13             | Dirt Collector Assembly - St/St supplied with P/N 19GS00,<br>four 20GS00, 21GS13, and 22DE00       | 1                         |
| 05GS0A             | Dirt Collector Plain Front Cap - PVC                                                               |                           |
| 05GS0B             | Dirt Collector Threaded Back Cap - PVC                                                             |                           |
| 05GS0C             | Dirt Collector Shaft Holder Assembly - PVC supplied with<br>P/N 05DE0D                             |                           |
| 05DE0D             | Dirt Collector Shaft Threaded Insert - Brass                                                       |                           |
| 06BE00             | 2" Rinse Valve Assembly                                                                            |                           |
| 07GS13             | Hydraulic Piston Assembly - 50 mm                                                                  | 1                         |
| 7AGS13             | Hydraulic Piston Repair Kit - 50 mm                                                                |                           |
| 11CE00             | Hydraulic Motor Chamber Cover                                                                      |                           |
| 12GS00             | Cover/Housing Seal                                                                                 | 1                         |
| 13GS13             | 3/4" Cover Stud - St/St (8 req'd)                                                                  |                           |
| 14GS13             | 3/4" Cover/Housing Washer - St/St (8 req'd)                                                        |                           |
| 15GS13             | 3/4" Cover Nut - St/St (8 req'd)                                                                   |                           |
| 16CE13             | Shaft Bearing/Upper Bearing - St/St                                                                | 1                         |
| 17GS00             | Fine Screen Handle                                                                                 |                           |
| 18GS00             | Fine Screen O-Ring (2 req'd)                                                                       | 2                         |
| 19GS00             | Dirt Collector Shaft - Brass                                                                       |                           |
| 20GS00             | Dirt Collector Nozzle - PVC                                                                        |                           |
| 21GS13             | Hydraulic Motor - St/St                                                                            |                           |
| 22DE00             | Lower Bearing                                                                                      | 1                         |
| 23BE00             | 2" Rinse Valve Actuator (2 req'd)                                                                  | 1                         |
| 24BE00             | Rinse Valve Actuator O-Ring (2 req'd)                                                              | 1                         |
| 25BE00             | 2" Nipple (Rinse Valve to Body) (2 req'd)                                                          |                           |
| 26CE00             | Hydraulic Piston Outer Guard                                                                       |                           |
| 27CE00             | Hydraulic Piston Outer Guard O-Ring (2 req'd)                                                      |                           |
| 29CE13             | Bushing Assembly - St/St                                                                           | 1                         |
| 30BE00             | Differential Pressure Switch                                                                       | 1                         |
| 33BE00             | Manifold O-Ring                                                                                    |                           |
| 34CE00             | Hydraulic Motor Chamber Cover Seal                                                                 | 1                         |
| 35CE13             | Hydraulic Motor Chamber Cover Bolt -St/St (4 req'd)                                                |                           |
| 36CE13             | Hydraulic Motor Chamber Cover Washer -St/St (8 req'd)                                              |                           |
| 37CE13             | Hydraulic Motor Chamber Cover Nut - St/St (4 req'd)                                                |                           |
| 43BE00             | Three Way Mini Valve                                                                               |                           |

**RAIN BIRD IRRIGATION FILTRATION SYSTEMS  
REVISED PARTS LIST  
JUNE 17, 2015**

|          |                                                                                          |   |
|----------|------------------------------------------------------------------------------------------|---|
| 45GS00   | Fine Screen Extractor                                                                    | 1 |
| 45GS01   | Fine Screen Spanner Wrenches - 1 pair                                                    | 1 |
| 46GS00   | 10" Controlled Outlet Valve Assembly supplied with a Solenoid Valve, 24 Vac, 3-Way, N.C. |   |
| 47BE00   | 2" Rinse Valve Body (90°)                                                                |   |
| 50BE00   | Fitting and Tubing Kit                                                                   | 1 |
| 52BE13   | Two Stage Manifold - St/St                                                               |   |
| 53BE00   | Solenoid Valve, 24 Vac, 2-Way, N.C.                                                      | 1 |
| 66CE00   | Pneumatic Control Conversion Kit                                                         |   |
| 68BE00   | 2" Plug                                                                                  |   |
| 70BE00   | 2-Wire Latching Solenoid Valve                                                           |   |
| 72BE00   | 1/4" Flow Control Needle Valve                                                           |   |
| 75BE00   | 1/2" Vacuum Breaker                                                                      |   |
| 76BE13   | 1/4" Piston Mounting Stud - St/St (6 req'd)                                              |   |
| 77BE13   | 1/4" Piston Mounting Nut - St/St (6 req'd)                                               |   |
| G37AE00  | Pressure Gauge                                                                           |   |
| 10221034 | Silicone Tube                                                                            | 2 |
| 10221035 | Teflon Tape                                                                              | 1 |

Prices in effect as of 7/1/2008 and are subject to change without notice. Last revised 2/21/2011.

\* Z - 5, Y - 10, A - 15, B - 25, C - 30, D - 40, E - 50, F - 80, G - 100, H - 120, J - 150, K - 200, R - 300, L - 400, M - 800, N - 1000, P - 1500, Q - 3000. \*\* 15 & 25 are priced at \$3,727.00 each; 30 & 40 are priced at \$2,811.00 each. All screen sizes are in microns.

Wedge Wire & Multi-Layered, Sintered St/St Screens are also available. Please contact Rain Bird for additional details.

| <b>Part Number</b> | <b>HS-I-10-PE Spare Parts Description</b>                                                       | <b>Recommended Spares</b> |
|--------------------|-------------------------------------------------------------------------------------------------|---------------------------|
| 02GS00             | Cover                                                                                           |                           |
| 03HS00             | Coarse Screen                                                                                   |                           |
| 4*HS00             | Fine Screen Assembly (50 - 3000 micron only)** supplied with P/N 16CE13, 17GS00, and two 18GS00 | 1                         |
| 05HS13             | Dirt Collector Assembly - St/St supplied with P/N 19GS00, six 20GS00, 21HS13, and 22DE00        | 1                         |
| 05GS0A             | Dirt Collector Plain Front Cap - PVC                                                            |                           |
| 05GS0B             | Dirt Collector Threaded Back Cap - PVC                                                          |                           |
| 05GS0C             | Dirt Collector Shaft Holder Assembly - PVC supplied with P/N 05DE0D                             |                           |
| 05DE0D             | Dirt Collector Shaft Threaded Insert - Brass                                                    |                           |
| 06BE00             | 2" Rinse Valve Assembly                                                                         |                           |
| 07GS13             | Hydraulic Piston Assembly - 50 mm                                                               | 1                         |
| 7AGS13             | Hydraulic Piston Repair Kit - 50 mm                                                             |                           |
| 11CE00             | Hydraulic Motor Chamber Cover                                                                   |                           |
| 12GS00             | Cover/Housing Seal                                                                              | 1                         |
| 13GS13             | 3/4" Cover Stud - St/St (8 req'd)                                                               |                           |

**RAIN BIRD IRRIGATION FILTRATION SYSTEMS  
REVISED PARTS LIST  
JUNE 17, 2015**

|          |                                                                                          |           |   |
|----------|------------------------------------------------------------------------------------------|-----------|---|
| 14GS13   | 3/4" Cover/Housing Washer - St/St                                                        | (8 req'd) |   |
| 15GS13   | 3/4" Cover Nut - St/St                                                                   | (8 req'd) |   |
| 16CE13   | Shaft Bearing/Upper Bearing - St/St                                                      |           | 1 |
| 17GS00   | Fine Screen Handle                                                                       |           |   |
| 18GS00   | Fine Screen O-Ring                                                                       | (2 req'd) | 2 |
| 19GS00   | Dirt Collector Shaft - Brass                                                             |           |   |
| 20GS00   | Dirt Collector Nozzle - PVC                                                              |           |   |
| 21HS13   | Hydraulic Motor - St/St                                                                  |           |   |
| 22DE00   | Lower Bearing                                                                            |           | 1 |
| 23BE00   | 2" Rinse Valve Actuator                                                                  | (3 req'd) | 1 |
| 24BE00   | Rinse Valve Actuator O-Ring                                                              | (3 req'd) | 1 |
| 25BE00   | 2" Nipple (Rinse Valve to Body)                                                          | (3 req'd) |   |
| 26CE00   | Hydraulic Piston Outer Guard                                                             |           |   |
| 27CE00   | Hydraulic Piston Outer Guard O-Ring                                                      | (2 req'd) |   |
| 29CE13   | Bushing Assembly - St/St                                                                 |           | 1 |
| 30BE00   | Differential Pressure Switch                                                             |           | 1 |
| 33BE00   | Manifold O-Ring                                                                          |           |   |
| 34CE00   | Hydraulic Motor Chamber Cover Seal                                                       |           | 1 |
| 35CE13   | Hydraulic Motor Chamber Cover Bolt -St/St                                                | (4 req'd) |   |
| 36CE13   | Hydraulic Motor Chamber Cover Washer -St/St                                              | (8 req'd) |   |
| 37CE13   | Hydraulic Motor Chamber Cover Nut - St/St                                                | (4 req'd) |   |
| 43BE00   | Three Way Mini Valve                                                                     |           |   |
| 45GS00   | Fine Screen Extractor                                                                    |           | 1 |
| 45GS01   | Fine Screen Spanner Wrenches - 1 pair                                                    |           | 1 |
| 46GS00   | 10" Controlled Outlet Valve Assembly supplied with a Solenoid Valve, 24 Vac, 3-Way, N.C. |           |   |
| 47BE00   | 2" Rinse Valve Body (90°)                                                                |           |   |
| 50BE00   | Fitting and Tubing Kit                                                                   |           | 1 |
| 52BE13   | Two Stage Manifold - St/St                                                               |           |   |
| 53BE00   | Solenoid Valve, 24 Vac, 2-Way, N.C.                                                      |           | 1 |
| 66CE00   | Pneumatic Control Conversion Kit                                                         |           |   |
| 68BE00   | 2" Plug                                                                                  |           |   |
| 70BE00   | 2-Wire Latching Solenoid Valve                                                           |           |   |
| 72BE00   | 1/4" Flow Control Needle Valve                                                           |           |   |
| 75BE00   | 1/2" Vacuum Breaker                                                                      |           |   |
| 76BE13   | 1/4" Piston Mounting Stud - St/St                                                        | (6 req'd) |   |
| 77BE13   | 1/4" Piston Mounting Nut - St/St                                                         | (6 req'd) |   |
| G37AE00  | Pressure Gauge                                                                           |           |   |
| 10221034 | Silicone Tube                                                                            |           | 2 |
| 10221035 | Teflon Tape                                                                              |           | 1 |

Prices in effect as of 7/1/2008 and are subject to change without notice. Last revised 2/21/2011.

\* Z - 5, Y - 10, A - 15, B - 25, C - 30, D - 40, E - 50, F - 80, G - 100, H - 120, J - 150, K - 200, R - 300, L - 400, M - 800, N - 1000, P - 1500, Q - 3000. \*\* 15 & 25 are priced at \$4,528.00 each; 30 & 40 are priced at \$3,412.00 each. All screen sizes are in microns.

**RAIN BIRD IRRIGATION FILTRATION SYSTEMS  
REVISED PARTS LIST  
JUNE 17, 2015**

Wedge Wire & Multi-Layered, Sintered St/St Screens are also available. Please contact Rain Bird for additional details.

| <b>Part Number</b> | <b>HS-I-12-PS Spare Parts Description</b>                                                          | <b>Recommended Spares</b> |
|--------------------|----------------------------------------------------------------------------------------------------|---------------------------|
| 02GS00             | Cover                                                                                              |                           |
| 03HS00             | Coarse Screen                                                                                      |                           |
| 4*HS00             | Fine Screen Assembly (50 - 3000 micron only)** supplied<br>with P/N 16CE13, 17GS00, and two 18GS00 | 1                         |
| 05HS13             | Dirt Collector Assembly - St/St supplied with P/N 19GS00,<br>six 20GS00, 21HS13, and 22DE00        | 1                         |
| 05GS0A             | Dirt Collector Plain Front Cap - PVC                                                               |                           |
| 05GS0B             | Dirt Collector Threaded Back Cap - PVC                                                             |                           |
| 05GS0C             | Dirt Collector Shaft Holder Assembly - PVC supplied with<br>P/N 05DE0D                             |                           |
| 05DE0D             | Dirt Collector Shaft Threaded Insert - Brass                                                       |                           |
| 06BE00             | 2" Rinse Valve Assembly                                                                            |                           |
| 07GS13             | Hydraulic Piston Assembly - 50 mm                                                                  | 1                         |
| 7AGS13             | Hydraulic Piston Repair Kit - 50 mm                                                                |                           |
| 11CE00             | Hydraulic Motor Chamber Cover                                                                      |                           |
| 12GS00             | Cover/Housing Seal                                                                                 | 1                         |
| 13GS13             | 3/4" Cover Stud - St/St (8 req'd)                                                                  |                           |
| 14GS13             | 3/4" Cover/Housing Washer - St/St (8 req'd)                                                        |                           |
| 15GS13             | 3/4" Cover Nut - St/St (8 req'd)                                                                   |                           |
| 16CE13             | Shaft Bearing/Upper Bearing - St/St                                                                | 1                         |
| 17GS00             | Fine Screen Handle                                                                                 |                           |
| 18GS00             | Fine Screen O-Ring (2 req'd)                                                                       | 2                         |
| 19GS00             | Dirt Collector Shaft - Brass                                                                       |                           |
| 20GS00             | Dirt Collector Nozzle - PVC                                                                        |                           |
| 21HS13             | Hydraulic Motor - St/St                                                                            |                           |
| 22DE00             | Lower Bearing                                                                                      | 1                         |
| 23BE00             | 2" Rinse Valve Actuator (3 req'd)                                                                  | 1                         |
| 24BE00             | Rinse Valve Actuator O-Ring (3 req'd)                                                              | 1                         |
| 25BE00             | 2" Nipple (Rinse Valve to Body) (3 req'd)                                                          |                           |
| 26CE00             | Hydraulic Piston Outer Guard                                                                       |                           |
| 27CE00             | Hydraulic Piston Outer Guard O-Ring (2 req'd)                                                      |                           |
| 29CE13             | Bushing Assembly - St/St                                                                           | 1                         |
| 30BE00             | Differential Pressure Switch                                                                       | 1                         |
| 33BE00             | Manifold O-Ring                                                                                    |                           |
| 34CE00             | Hydraulic Motor Chamber Cover Seal                                                                 | 1                         |
| 35CE13             | Hydraulic Motor Chamber Cover Bolt -St/St (4 req'd)                                                |                           |
| 36CE13             | Hydraulic Motor Chamber Cover Washer -St/St (8 req'd)                                              |                           |
| 37CE13             | Hydraulic Motor Chamber Cover Nut - St/St (4 req'd)                                                |                           |

**RAIN BIRD IRRIGATION FILTRATION SYSTEMS  
REVISED PARTS LIST  
JUNE 17, 2015**

|          |                                                                                          |   |
|----------|------------------------------------------------------------------------------------------|---|
| 43BE00   | Three Way Mini Valve                                                                     |   |
| 45GS00   | Fine Screen Extractor                                                                    | 1 |
| 45GS01   | Fine Screen Spanner Wrenches - 1 pair                                                    | 1 |
| 46HS00   | 12" Controlled Outlet Valve Assembly supplied with a Solenoid Valve, 24 Vac, 3-Way, N.C. |   |
| 47BE00   | 2" Rinse Valve Body (90°)                                                                |   |
| 50BE00   | Fitting and Tubing Kit                                                                   | 1 |
| 52BE13   | Two Stage Manifold - St/St                                                               |   |
| 53BE00   | Solenoid Valve, 24 Vac, 2-Way, N.C.                                                      | 1 |
| 66CE00   | Pneumatic Control Conversion Kit                                                         |   |
| 68BE00   | 2" Plug                                                                                  |   |
| 70BE00   | 2-Wire Latching Solenoid Valve                                                           |   |
| 72BE00   | 1/4" Flow Control Needle Valve                                                           |   |
| 75BE00   | 1/2" Vacuum Breaker                                                                      |   |
| 76BE13   | 1/4" Piston Mounting Stud - St/St (6 req'd)                                              |   |
| 77BE13   | 1/4" Piston Mounting Nut - St/St (6 req'd)                                               |   |
| G37AE00  | Pressure Gauge                                                                           |   |
| 10221034 | Silicone Tube                                                                            | 2 |
| 10221035 | Teflon Tape                                                                              | 1 |

Prices in effect as of 7/1/2008 and are subject to change without notice. Last revised 2/21/2011.

\* Z - 5, Y - 10, A - 15, B - 25, C - 30, D - 40, E - 50, F - 80, G - 100, H - 120, J - 150, K - 200, R - 300, L - 400, M - 800, N - 1000, P - 1500, Q - 3000. \*\* 15 & 25 are priced at \$4,528.00 each; 30 & 40 are priced at \$3,412.00 each. All screen sizes are in microns.

Wedge Wire & Multi-Layered, Sintered St/St Screens are also available. Please contact Rain Bird for additional details.

| Part Number | HS-I-14-PS Spare Parts Description                                                              | Recommended Spares |
|-------------|-------------------------------------------------------------------------------------------------|--------------------|
| 02JS00      | Cover                                                                                           |                    |
| 03JS00      | Coarse Screen                                                                                   |                    |
| 4*JS00      | Fine Screen Assembly (50 - 3000 micron only)** supplied with P/N 16CE13, 17JS00, and two 18JS00 | 1                  |
| 05JS13      | Dirt Collector Assembly - St/St supplied with P/N 19GS00, six 20JS00, 21JS13, and 22DE00        | 1                  |
| 05GS0A      | Dirt Collector Plain Front Cap - PVC                                                            |                    |
| 05GS0B      | Dirt Collector Threaded Back Cap - PVC                                                          |                    |
| 05GS0C      | Dirt Collector Shaft Holder Assembly - PVC supplied with P/N 05DE0D                             |                    |
| 05DE0D      | Dirt Collector Shaft Threaded Insert - Brass                                                    |                    |
| 06BE00      | 2" Rinse Valve Assembly                                                                         |                    |
| 07GS13      | Hydraulic Piston Assembly - 50 mm                                                               | 1                  |
| 7AGS13      | Hydraulic Piston Repair Kit - 50 mm                                                             |                    |
| 11CE00      | Hydraulic Motor Chamber Cover                                                                   |                    |
| 12JS00      | Cover/Housing Seal                                                                              | 1                  |

**RAIN BIRD IRRIGATION FILTRATION SYSTEMS  
REVISED PARTS LIST  
JUNE 17, 2015**

|          |                                                                                          |   |
|----------|------------------------------------------------------------------------------------------|---|
| 13GS13   | 3/4" Cover Stud - St/St (8 req'd)                                                        |   |
| 14GS13   | 3/4" Cover/Housing Washer - St/St (8 req'd)                                              |   |
| 15GS13   | 3/4" Cover Nut - St/St (8 req'd)                                                         |   |
| 16CE13   | Shaft Bearing/Upper Bearing - St/St                                                      | 1 |
| 17JS00   | Fine Screen Handle                                                                       |   |
| 18JS00   | Fine Screen O-Ring (2 req'd)                                                             | 2 |
| 19GS00   | Dirt Collector Shaft - Brass                                                             |   |
| 20JS00   | Dirt Collector Nozzle - PVC                                                              |   |
| 21HS13   | Hydraulic Motor - St/St                                                                  |   |
| 22DE00   | Lower Bearing                                                                            | 1 |
| 23BE00   | 2" Rinse Valve Actuator (3 req'd)                                                        | 1 |
| 24BE00   | Rinse Valve Actuator O-Ring (3 req'd)                                                    | 1 |
| 25BE00   | 2" Nipple (Rinse Valve to Body) (3 req'd)                                                |   |
| 26CE00   | Hydraulic Piston Outer Guard                                                             |   |
| 27CE00   | Hydraulic Piston Outer Guard O-Ring (2 req'd)                                            |   |
| 29CE13   | Bushing Assembly - St/St                                                                 | 1 |
| 30BE00   | Differential Pressure Switch                                                             | 1 |
| 33BE00   | Manifold O-Ring                                                                          |   |
| 34CE00   | Hydraulic Motor Chamber Cover Seal                                                       | 1 |
| 35CE13   | Hydraulic Motor Chamber Cover Bolt -St/St (4 req'd)                                      |   |
| 36CE13   | Hydraulic Motor Chamber Cover Washer -St/St (8 req'd)                                    |   |
| 37CE13   | Hydraulic Motor Chamber Cover Nut - St/St (4 req'd)                                      |   |
| 43BE00   | Three Way Mini Valve                                                                     |   |
| 45GS00   | Fine Screen Extractor                                                                    | 1 |
| 45JS01   | Fine Screen Spanner Wrenches - 1 pair                                                    | 1 |
| 46JS00   | 14" Controlled Outlet Valve Assembly supplied with a Solenoid Valve, 24 Vac, 3-Way, N.C. |   |
| 47BE00   | 2" Rinse Valve Body (90°)                                                                |   |
| 50BE00   | Fitting and Tubing Kit                                                                   | 1 |
| 52BE13   | Two Stage Manifold - St/St                                                               |   |
| 53BE00   | Solenoid Valve, 24 Vac, 2-Way, N.C.                                                      | 1 |
| 66CE00   | Pneumatic Control Conversion Kit                                                         |   |
| 68BE00   | 2" Plug                                                                                  |   |
| 70BE00   | 2-Wire Latching Solenoid Valve                                                           |   |
| 72BE00   | 1/4" Flow Control Needle Valve                                                           |   |
| 75BE00   | 1/2" Vacuum Breaker                                                                      |   |
| 76BE13   | 1/4" Piston Mounting Stud - St/St (6 req'd)                                              |   |
| 77BE13   | 1/4" Piston Mounting Nut - St/St (6 req'd)                                               |   |
| G37AE00  | Pressure Gauge                                                                           |   |
| 10221034 | Silicone Tube                                                                            | 2 |
| 10221035 | Teflon Tape                                                                              | 1 |

Prices in effect as of 7/1/2008 and are subject to change without notice. Last revised 2/21/2011.

\* Z - 5, Y - 10, A - 15, B - 25, C - 30, D - 40, E - 50, F - 80, G - 100, H - 120, J - 150, K - 200, R - 300, L - 400, M - 800, N - 1000,



**RAIN BIRD IRRIGATION FILTRATION SYSTEMS  
REVISED PARTS LIST  
JUNE 17, 2015**

P - 1500, Q - 3000. \*\* 15 & 25 are priced at \$8,901.00 each; 30 & 40 are priced at \$6,698.00 each. All screen sizes are in microns.  
Wedge Wire & Multi-Layered, Sintered St/St Screens are also available. Please contact Rain Bird for additional details.

**G-Series Filter Parts**

| <b>Part Number</b> | <b>HS-V-01-LE Spare Parts Description</b>            | <b>Recommended Spares</b> |
|--------------------|------------------------------------------------------|---------------------------|
| V02AE00            | Cover                                                |                           |
| V4*AE00            | Fine Screen Assembly (50 - 3000 micron only)**       | 1                         |
|                    | Supplied with P/N 16BE00 and V17BE00                 |                           |
| V05AE00            | Dirt Collector Assembly with Nozzles and St/St Shaft | 1                         |
|                    | Supplied with P/N V21AE00, V22AE13 and V50AE13       |                           |
| G06AE00            | 1" Rinse Valve Assembly                              | 1                         |
| G06AEE0            | 1" Rinse Valve Diaphragm                             |                           |
| V07AE13            | Hydraulic Piston Assembly                            | 1                         |
| V7AAE13            | Hydraulic Piston Repair Kit                          |                           |
| V11AE00            | Hydraulic Motor Chamber Spacer - PVC                 |                           |
| V12AE00            | Cover/Housing Seal                                   | 1                         |
| V13AE13            | 1/2" Cover Bolt - St/St (6 req'd)                    |                           |
| 14BE13             | 1/2" Cover/Housing Washer - St/St (6 req'd)          |                           |
| 16BE00             | Shaft Bearing/Upper Bearing - Brass                  | 1                         |
| V17BE00            | Fine Screen Handle                                   |                           |
| V18AE00            | Fine Screen Inner Gasket                             | 1                         |
| V20AE00            | Dirt Collector Nozzle - PVC                          |                           |
| V21AE00            | Hydraulic Motor - PVC                                |                           |
| V22AE13            | Dirt Collector Locking Plug - St/St                  |                           |
| V28AE00            | Separator Plate and Bearing Assembly                 |                           |
| 30BE00             | Differential Pressure Switch                         | 1                         |
| 31BE00             | Solenoid Valve, 24 Vac, 3-Way, N.O.                  | 1                         |
| G32AE00            | 1/4" Mini Filter with 1/8" port                      |                           |
| G33AE00            | Pressure Gauge Enclosure                             | 1                         |
| G37AE00            | Pressure Gauge                                       |                           |
| 43BE00             | Three Way Mini Valve                                 |                           |
| V46AE00            | 1" Controlled Outlet Valve                           |                           |
| V50AE13            | Dirt Collector Bearing Sleeve - St/St                |                           |
| G55AE00            | Fitting and Tubing Kit                               |                           |
| 70BE00             | 2-Wire Latching Solenoid Valve                       |                           |
| 72BE00             | 1/4" Flow Control Needle Valve                       |                           |
| 10221034           | Silicon Tube                                         | 1                         |
| 10221035           | Teflon Tape                                          | 1                         |

\* Z - 5, Y - 10, A - 15, B - 25, C - 30, D - 40, E - 50, F - 80, G - 100, H - 120, J - 150, K - 200, R - 300, L - 400, M - 800, N - 1000,

P - 1500, Q - 3000. All screen sizes are in microns.

\*\* 15 & 25 micron screens are priced at \$511.00 each; 30 & 40 micron screens are priced at \$388.00 each

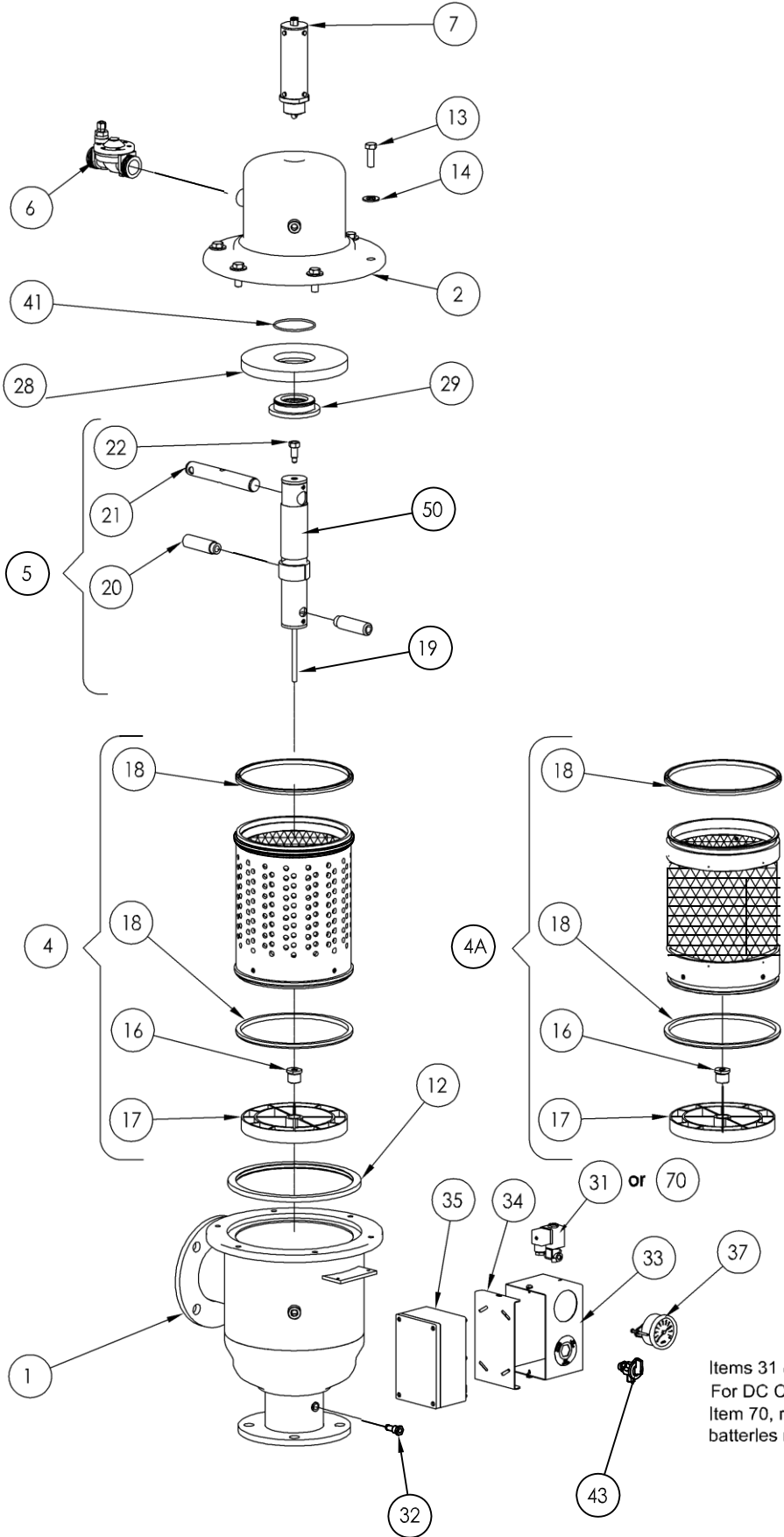
**RAIN BIRD IRRIGATION FILTRATION SYSTEMS  
REVISED PARTS LIST  
JUNE 17, 2015**

Wedge Wire & Multi-Layered, Sintered Stainless Steel Screen are also available. Please contact Rain Bird for additional details.

| <b>Part Number</b> | <b>HS-V-015-LE Spare Parts Description</b>                                                       | <b>Recommended Spares</b> |
|--------------------|--------------------------------------------------------------------------------------------------|---------------------------|
| G01AE00            | Housing, Bottom                                                                                  |                           |
| GA02AE00           | Housing, Cover                                                                                   |                           |
| GA4*AE00           | Fine Screen Assembly (50 - 3000 micron only)** supplied with P/N 16BE00, 17BE00, and two E18BS00 | 1                         |
| GA05AE00           | Dirt Collector Assembly supplied with P/N GA19AE13, two G20AE00, GA21AE00, G22AE13, and GA50AE13 | 1                         |
| G05AE0A            | Dirt Collector Threaded Cap - PVC (2 req'd)                                                      |                           |
| G06AE00            | 1" Rinse Valve Assembly                                                                          | 1                         |
| GA07AE13           | Hydraulic Piston Assembly                                                                        | 1                         |
| G7ACE13            | Hydraulic Piston Repair Kit                                                                      |                           |
| 12BE00             | Housing/Cover Seal                                                                               | 1                         |
| G13AE13            | 1/2" Housing Bolt - St/St (6 req'd)                                                              |                           |
| 14BE13             | 1/2" Housing/Cover Washer - St/St (6 req'd)                                                      |                           |
| 16BE00             | Shaft Bearing/Upper Bearing - Brass                                                              | 1                         |
| 17BE00             | Fine Screen Handle                                                                               |                           |
| E18BS00            | Fine Screen Seal (2 req'd)                                                                       | 2                         |
| GA19AE13           | Dirt Collector Shaft - St/St                                                                     |                           |
| G20AE00            | Dirt Collector Nozzle - PVC                                                                      |                           |
| GA21AE00           | Hydraulic Motor - PVC                                                                            |                           |
| G22AE13            | Dirt Collector Locking Plug - St/St                                                              |                           |
| GA28AE00           | Separator Plate & Bearing Assembly supplied with P/N GA29AE00 and EA41BS00                       |                           |
| GA29AE00           | Dirt Collector Bearing - PVC                                                                     |                           |
| 30BE00             | Differential Pressure Switch                                                                     | 1                         |
| 31BE00             | Solenoid Valve, 24 Vac, 3-Way, N.O.                                                              | 1                         |
| G32AE00            | 1/4" Mini Filter with 1/8" port                                                                  |                           |
| G33AE00            | Pressure Gauge Enclosure                                                                         |                           |
| G34AE00            | Pressure Gauge Enclosure Cover                                                                   |                           |
| Item 35            | OMNITROL 400 Controller for AC Operation (with item 31)                                          |                           |
| Item 35            | OMNITROL 150 Controller for DC Operation (with Item 70)                                          |                           |
| G37AE00            | Pressure Gauge                                                                                   |                           |
| EA41BS00           | O-Ring Seal/Retainer                                                                             |                           |
| 43BE00             | Three Way Mini Valve                                                                             |                           |
| G46AE00            | 1-1/2" Controlled Outlet Valve Assembly supplied with a Solenoid Valve, 24 Vac, 3-Way, N.C.      |                           |
| GA50AE13           | Dirt Collector Bearing Sleeve - St/St                                                            |                           |
| G55AE00            | Fitting and Tubing Kit                                                                           |                           |
| 70BE00             | 2-Wire Latching Solenoid Valve                                                                   |                           |
| 72BE00             | 1/4" Flow Control Needle Valve                                                                   |                           |

# TYPICAL G/A SERIES FILTER ASSEMBLY

## Exploded View For Models G/A-015-LE thru G/A-040-LS



| Item | Description                                                            |
|------|------------------------------------------------------------------------|
| 1    | Housing, Bottom                                                        |
| 2    | Housing, Cover                                                         |
| 4    | Fine Screen Assembly - PVC<br>Supplied with Items 16, 17 & two 18      |
| 4A   | Fine Screen Assembly - Sintered<br>Supplied with Items 16, 17 & two 18 |
| 5    | Dirt Collector Assembly<br>Supplied with Items 19, 20, 21, 22 & 50     |
| 6    | 1" Rinse Valve Assembly                                                |
| 7    | Hydraulic Piston Assembly                                              |
| 12   | Housing/Cover Seal                                                     |
| 13   | 1/2" Housing Bolt - St/St                                              |
| 14   | 1/2" Housing/Cover Washer - St/St                                      |
| 16   | Shaft Bearing/Upper Bearing - Brass                                    |
| 17   | Fine Screen Handle                                                     |
| 18   | Fine Screen Seal                                                       |
| 19   | Dirt Collector Shaft                                                   |
| 20   | Dirt Collector Nozzle - PVC                                            |
| 21   | Hydraulic Motor - PVC                                                  |
| 22   | Dirt Collector Locking Plug - St/St                                    |
| 28   | Separator Plate & Bearing Assembly                                     |
| 29   | Dirt Collector Bearing - Delrin                                        |
| 31   | Solenoid Valve, 24 Vac, 3-Way, N.O.                                    |
| 32   | 1/4" Mini Filter with 1/8" Port                                        |
| 33   | Pressure Gauge Enclosure                                               |
| 34   | Pressure Gauge Enclosure Cover                                         |
| 35   | Controller                                                             |
| 37   | Pressure Gauge                                                         |
| 41   | O-Ring Seal & Retainer                                                 |
| 43   | Three Way Mini Valve                                                   |
| 50   | Dirt Collector Bearing Sleeve                                          |
| 70   | 2-Wire Latch Solenoid Valve                                            |

Items 31 & 35 are shown for AC powered 400 Controller. For DC Controller operation, a Two-Wire Latch Solenoid, Item 70, replaces Item 31, & a 150 Controller powered by batteries replaces Item 35.

|          |              |   |
|----------|--------------|---|
| 10221034 | Silicon Tube | 1 |
| 10221035 | Teflon Tape  | 1 |

\* Z - 5, Y - 10, A - 15, B - 25, C - 30, D - 40, E - 50, F - 80, G - 100, H - 120, J - 150, K - 200, R - 300, L - 400, M - 800, N - 1000,

P - 1500, Q - 3000. All screen sizes are in microns.

\*\* 5 & 10 micron screens are \$1,065.00; 15 & 20 micron screens are \$859.00; 25, 30, & 40 micron screens are \$653.00

Wedge Wire & Multi-Layered, Sintered Stainless Steel Screen are also available. Please contact Rain Bird for additional details.

| Part Number | HS-G-02-LE Spare Parts Description                                                               | Recommended Spares |
|-------------|--------------------------------------------------------------------------------------------------|--------------------|
| G01BE00     | Housing, Bottom                                                                                  |                    |
| GA02AE00    | Housing, Cover                                                                                   |                    |
| GA4*AE00    | Fine Screen Assembly (50 - 3000 micron only)** supplied with P/N 16BE00, 17BE00, and two E18BS00 | 1                  |
| GA05AE00    | Dirt Collector Assembly supplied with P/N GA19AE13, two G20AE00, GA21AE00, G22AE13, and GA50AE13 | 1                  |
| G05AE0A     | Dirt Collector Threaded Cap - PVC (2 req'd)                                                      |                    |
| G06AE00     | 1" Rinse Valve Assembly                                                                          | 1                  |
| GA07AE13    | Hydraulic Piston Assembly                                                                        | 1                  |
| G7ACE13     | Hydraulic Piston Repair Kit                                                                      |                    |
| 12BE00      | Housing/Cover Seal                                                                               | 1                  |
| G13AE13     | 1/2" Housing Bolt - St/St (6 req'd)                                                              |                    |
| 14BE13      | 1/2" Housing/Cover Washer - St/St (6 req'd)                                                      |                    |
| 16BE00      | Shaft Bearing/Upper Bearing - Brass                                                              | 1                  |
| 17BE00      | Fine Screen Handle                                                                               |                    |
| E18BS00     | Fine Screen Seal (2 req'd)                                                                       | 2                  |
| GA19AE13    | Dirt Collector Shaft - St/St                                                                     |                    |
| G20AE00     | Dirt Collector Nozzle - PVC                                                                      |                    |
| GA21AE00    | Hydraulic Motor - PVC                                                                            |                    |
| G22AE13     | Dirt Collector Locking Plug - St/St                                                              |                    |
| GA28AE00    | Separator Plate & Bearing Assembly supplied with P/N GA29AE00 and EA41BS00                       |                    |
| GA29AE00    | Dirt Collector Bearing - PVC                                                                     |                    |
| 30BE00      | Differential Pressure Switch                                                                     | 1                  |
| 31BE00      | Solenoid Valve, 24 Vac, 3-Way, N.O.                                                              | 1                  |
| G32AE00     | 1/4" Mini Filter with 1/8" port                                                                  |                    |
| G33AE00     | Pressure Gauge Enclosure                                                                         |                    |
| G34AE00     | Pressure Gauge Enclosure Cover                                                                   |                    |
| Item 35     | OMNITROL 400 Controller for AC Operation (with item 31)                                          |                    |
| Item 35     | OMNITROL 150 Controller for DC Operation (with Item 70)                                          |                    |
| G37AE00     | Pressure Gauge                                                                                   |                    |
| EA41BS00    | O-Ring Seal/Retainer                                                                             |                    |
| 43BE00      | Three Way Mini Valve                                                                             |                    |

|          |                                                     |   |
|----------|-----------------------------------------------------|---|
| G46BE00  | 2" Controlled Outlet Valve Assembly supplied with a |   |
|          | Solenoid Valve, 24 Vac, 3-Way, N.C.                 |   |
| GA50AE13 | Dirt Collector Bearing Sleeve - St/St               |   |
| G55AE00  | Fitting and Tubing Kit                              |   |
| 70BE00   | 2-Wire Latching Solenoid Valve                      |   |
| 72BE00   | 1/4" Flow Control Needle Valve                      |   |
| 10221034 | Silicon Tube                                        | 1 |
| 10221035 | Teflon Tape                                         | 1 |

\* Z - 5, Y - 10, A - 15, B - 25, C - 30, D - 40, E - 50, F - 80, G - 100, H - 120, J - 150, K - 200, R - 300, L - 400, M - 800, N - 1000,

P - 1500, Q - 3000. All screen sizes are in microns.

\*\* 5 & 10 micron screens are \$1,065.00; 15 & 20 micron screens are \$859.00; 25, 30, & 40 micron screens are \$653.00

Wedge Wire & Multi-Layered, Sintered Stainless Steel Screen are also available. Please contact Rain Bird for additional details.

| Part Number | HS-G-03-LE Spare Parts Description                      | Recommended Spares |
|-------------|---------------------------------------------------------|--------------------|
| G01CE00     | Housing, Bottom                                         |                    |
| GA02CE00    | Housing, Cover                                          |                    |
| GA4*CE00    | Fine Screen Assembly (50 - 3000 micron only)** supplied | 1                  |
|             | with P/N 16BE00, 17BE00, and two E18BS00                |                    |
| GA05CE00    | Dirt Collector Assembly supplied with P/N GA19CE13, two | 1                  |
|             | G20AE00, GA21AE00, G22AE13, and GA50ACE13               |                    |
| G05AE0A     | Dirt Collector Threaded Cap - PVC (2 req'd)             |                    |
| G06AE00     | 1" Rinse Valve Assembly                                 | 1                  |
| G07CE13     | Hydraulic Piston Assembly                               | 1                  |
| G7ACE13     | Hydraulic Piston Repair Kit                             |                    |
| 12BE00      | Housing/Cover Seal                                      | 1                  |
| G13AE13     | 1/2" Housing Bolt - St/St (6 req'd)                     |                    |
| 14BE13      | 1/2" Housing/Cover Washer - St/St (6 req'd)             |                    |
| 16BE00      | Shaft Bearing/Upper Bearing - Brass                     | 1                  |
| 17BE00      | Fine Screen Handle                                      |                    |
| E18BS00     | Fine Screen Seal (2 req'd)                              | 2                  |
| GA19CE13    | Dirt Collector Shaft - St/St                            |                    |
| G20AE00     | Dirt Collector Nozzle - PVC                             |                    |
| GA21AE00    | Hydraulic Motor - PVC                                   |                    |
| G22AE13     | Dirt Collector Locking Plug - St/St                     |                    |
| GA28AE00    | Separator Plate & Bearing Assembly supplied with P/N    |                    |
|             | GA29AE00 and EA41BS00                                   |                    |
| GA29AE00    | Dirt Collector Bearing - PVC                            |                    |
| 30BE00      | Differential Pressure Switch                            | 1                  |
| 31BE00      | Solenoid Valve, 24 Vac, 3-Way, N.O.                     | 1                  |
| G32AE00     | 1/4" Mini Filter with 1/8" port                         |                    |
| G33AE00     | Pressure Gauge Enclosure                                |                    |

|          |                                                                                            |   |
|----------|--------------------------------------------------------------------------------------------|---|
| G34AE00  | Pressure Gauge Enclosure Cover                                                             |   |
| Item 35  | OMNITROL 400 Controller for AC Operation (with item 31)                                    |   |
| Item 35  | OMNITROL 150 Controller for DC Operation (with Item 70)                                    |   |
| G37AE00  | Pressure Gauge                                                                             |   |
| EA41BS00 | O-Ring Seal/Retainer                                                                       |   |
| 43BE00   | Three Way Mini Valve                                                                       |   |
| 46CS00   | 3" Controlled Outlet Valve Assembly supplied with a<br>Solenoid Valve, 24 Vac, 3-Way, N.C. |   |
| GA50CE13 | Dirt Collector Bearing Sleeve - St/St                                                      |   |
| G55AE00  | Fitting and Tubing Kit                                                                     |   |
| 70BE00   | 2-Wire Latching Solenoid Valve                                                             |   |
| 72BE00   | 1/4" Flow Control Needle Valve                                                             |   |
| 10221034 | Silicon Tube                                                                               | 1 |
| 10221035 | Teflon Tape                                                                                | 1 |

\* Z - 5, Y - 10, A - 15, B - 25, C - 30, D - 40, E - 50, F - 80, G - 100, H - 120, J - 150, K - 200, R - 300, L - 400, M - 800, N - 1000,

P - 1500, Q - 3000. All screen sizes are in microns.

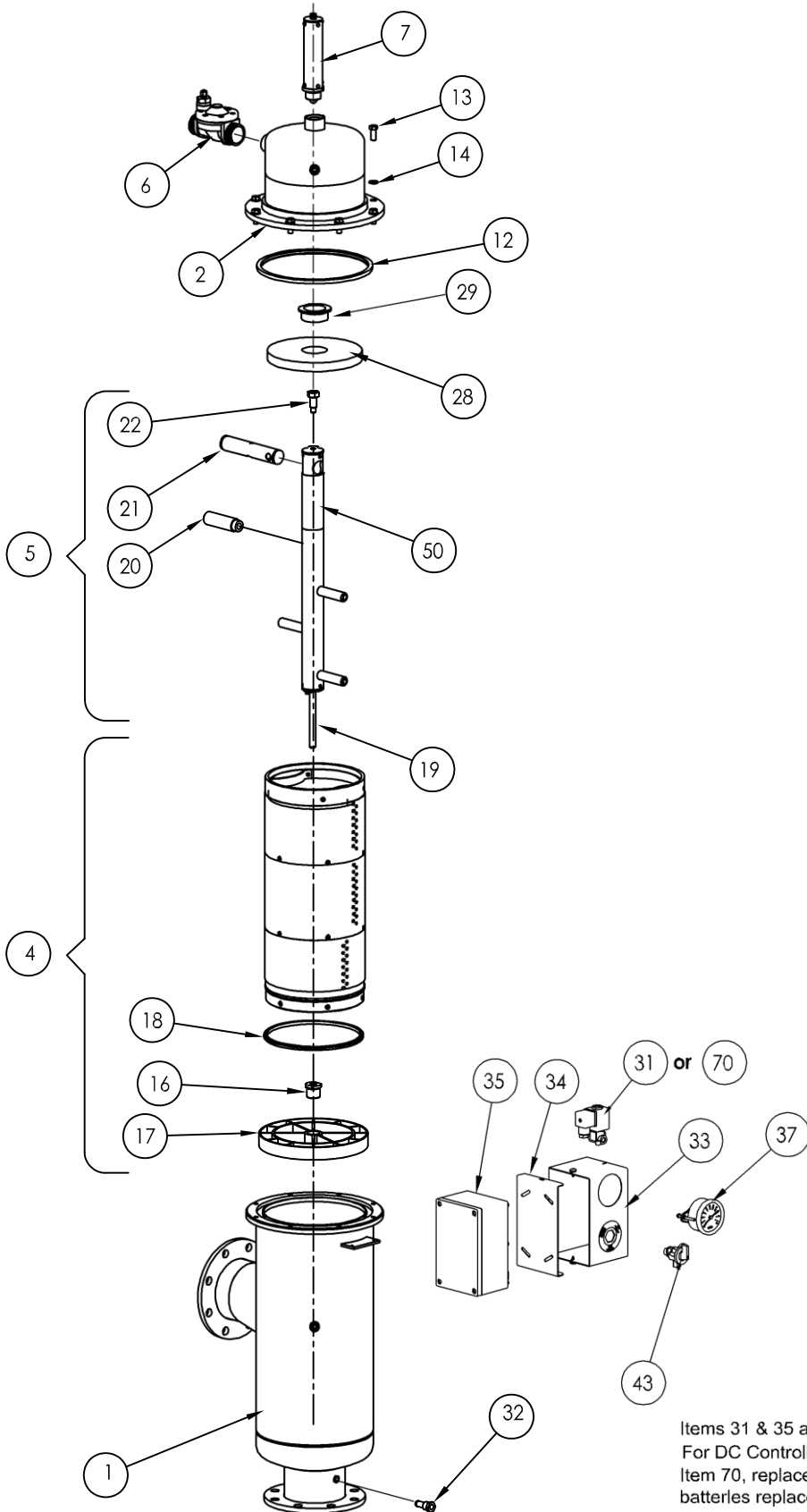
\*\* 5 & 10 micron screens are \$1,249.00; 15 & 20 micron screens are \$1,008.00; 25, 30, & 40 micron screens are \$767.00

Wedge Wire & Multi-Layered, Sintered Stainless Steel Screen are also available. Please contact Rain Bird for additional details.

| Part Number | HS-G-04-LS Spare Parts Description                                                                   | Recommended Spares |
|-------------|------------------------------------------------------------------------------------------------------|--------------------|
| G01DS00     | Housing, Bottom                                                                                      |                    |
| GA02CE00    | Housing, Cover                                                                                       |                    |
| GA4*CE00    | Fine Screen Assembly (50 - 3000 micron only)** supplied<br>with P/N 16BE00, 17BE00, and two E18BS00  | 1                  |
| GA05CE00    | Dirt Collector Assembly supplied with P/N GA19CE13, two<br>G20AE00, GA21AE00, G22AE13, and GA50ACE13 | 1                  |
| G05AE0A     | Dirt Collector Threaded Cap - PVC (2 req'd)                                                          |                    |
| G06AE00     | 1" Rinse Valve Assembly                                                                              | 1                  |
| G07CE13     | Hydraulic Piston Assembly                                                                            | 1                  |
| G7ACE13     | Hydraulic Piston Repair Kit                                                                          |                    |
| 12BE00      | Housing/Cover Seal                                                                                   | 1                  |
| G13AE13     | 1/2" Housing Bolt - St/St (6 req'd)                                                                  |                    |
| 14BE13      | 1/2" Housing/Cover Washer - St/St (6 req'd)                                                          |                    |
| 16BE00      | Shaft Bearing/Upper Bearing - Brass                                                                  | 1                  |
| 17BE00      | Fine Screen Handle                                                                                   |                    |
| E18BS00     | Fine Screen Seal (2 req'd)                                                                           | 2                  |
| GA19CE13    | Dirt Collector Shaft - St/St                                                                         |                    |
| G20AE00     | Dirt Collector Nozzle - PVC                                                                          |                    |
| GA21AE00    | Hydraulic Motor - PVC                                                                                |                    |
| G22AE13     | Dirt Collector Locking Plug - St/St                                                                  |                    |
| GA28AE00    | Separator Plate & Bearing Assembly supplied with P/N                                                 |                    |

# TYPICAL G SERIES FILTER ASSEMBLY

## Exploded View For Models G-040-LE thru G-100-LS



| Item | Description                                                        |
|------|--------------------------------------------------------------------|
| 1    | Housing, Bottom                                                    |
| 2    | Housing, Cover                                                     |
| 4    | Fine Screen Assembly - PVC<br>Supplied with Items 16, 17 & two 18  |
| 5    | Dirt Collector Assembly<br>Supplied with Items 19, 20, 21, 22 & 50 |
| 6    | 1-1/2" Rinse Valve Assembly                                        |
| 7    | Hydraulic Piston Assembly                                          |
| 12   | Housing/Cover Seal                                                 |
| 13   | 1/2" Housing Bolt - St/St                                          |
| 14   | 1/2" Housing/Cover Washer - St/St                                  |
| 16   | Shaft Bearing/Upper Bearing - St/St                                |
| 17   | Fine Screen Handle                                                 |
| 18   | Fine Screen Seal                                                   |
| 19   | Dirt Collector Shaft - Brass                                       |
| 20   | Dirt Collector Nozzle - PVC                                        |
| 21   | Hydraulic Motor - PVC                                              |
| 22   | Dirt Collector Locking Plug - St/St                                |
| 28   | Separator Plate And Bearing Assembly                               |
| 29   | Dirt Collector Bearing - Brass                                     |
| 31   | Solenoid Valve, 24 Vac, 3-Way, N.O.                                |
| 32   | 1/4" Mini Filter with 1/8" Port                                    |
| 33   | Pressure Gauge Enclosure                                           |
| 34   | Pressure Gauge Enclosure Cover                                     |
| 35   | Controller                                                         |
| 37   | Pressure Gauge                                                     |
| 43   | Three Way Mini Valve                                               |
| 50   | Dirt Collector Bearing Sleeve - St/St                              |
| 70   | 2-Wire Latch Solenoid Valve                                        |

Items 31 & 35 are shown for AC powered 400 Controller. For DC Controller operation, a Two-Wire Latch Solenoid, Item 70, replaces Item 31, & a 150 Controller powered by batteries replaces Item 35.

|          |                                                         |   |
|----------|---------------------------------------------------------|---|
|          | GA29AE00 and EA41BS00                                   |   |
| GA29AE00 | Dirt Collector Bearing - PVC                            |   |
| 30BE00   | Differential Pressure Switch                            | 1 |
| 31BE00   | Solenoid Valve, 24 Vac, 3-Way, N.O.                     | 1 |
| G32AE00  | 1/4" Mini Filter with 1/8" port                         |   |
| G33AE00  | Pressure Gauge Enclosure                                |   |
| G34AE00  | Pressure Gauge Enclosure Cover                          |   |
| Item 35  | OMNITROL 400 Controller for AC Operation (with item 31) |   |
| Item 35  | OMNITROL 150 Controller for DC Operation (with Item 70) |   |
| G37AE00  | Pressure Gauge                                          |   |
| EA41BS00 | O-Ring Seal/Retainer                                    |   |
| 43BE00   | Three Way Mini Valve                                    |   |
| 46DS00   | 4" Controlled Outlet Valve Assembly supplied with a     |   |
|          | Solenoid Valve, 24 Vac, 3-Way, N.C.                     |   |
| GA50CE13 | Dirt Collector Bearing Sleeve - St/St                   |   |
| G55AE00  | Fitting and Tubing Kit                                  |   |
| 70BE00   | 2-Wire Latching Solenoid Valve                          |   |
| 72BE00   | 1/4" Flow Control Needle Valve                          |   |
| 10221034 | Silicon Tube                                            | 1 |
| 10221035 | Teflon Tape                                             | 1 |

\* Z - 5, Y - 10, A - 15, B - 25, C - 30, D - 40, E - 50, F - 80, G - 100, H - 120, J - 150, K - 200, R - 300, L - 400, M - 800, N - 1000,

P - 1500, Q - 3000. All screen sizes are in microns.

\*\* 5 & 10 micron screens are \$1,249.00; 15 & 20 micron screens are \$1,008.00; 25, 30, & 40 micron screens are \$767.00

Wedge Wire & Multi-Layered, Sintered Stainless Steel Screen are also available. Please

contact Rain Bird for additional details.

| Part Number | HS-G-04-LE Spare Parts Description                                                             | Recommended Spares |
|-------------|------------------------------------------------------------------------------------------------|--------------------|
| G01DE00     | Housing, Bottom                                                                                |                    |
| G02DE00     | Housing, Top                                                                                   |                    |
| G4*DE00     | Fine Screen Assembly (50 - 3000 micron only)** supplied with P/N 16CE13, 17GS00, and G18DE00   | 1                  |
| G05DE00     | Dirt Collector Assembly supplied with P/N G19DE00, four G20DE00, G21DE00, G22CE13, and G50DE13 | 1                  |
| G05DE0A     | Dirt Collector Threaded Cap - PVC (2 req'd)                                                    |                    |
| G06DE00     | 1-1/2" Rinse Valve Assembly                                                                    | 1                  |
| G07DE13     | Hydraulic Piston Assembly                                                                      | 1                  |
| G7ACE13     | Hydraulic Piston Repair Kit                                                                    |                    |
| 12GS00      | Housing/Cover Seal                                                                             | 1                  |
| G13DE13     | 1/2" Housing Bolt - St/St (8 req'd)                                                            |                    |
| 14BE13      | 1/2" Housing/Cover Washer - St/St (8 req'd)                                                    |                    |
| 16CE13      | Shaft Bearing/Upper Bearing - St/St                                                            | 1                  |
| 17GS00      | Fine Screen Handle                                                                             |                    |



|          |                                                                                         |   |
|----------|-----------------------------------------------------------------------------------------|---|
| G18DE00  | Fine Screen Seal (2 req'd)                                                              | 2 |
| G19DE00  | Dirt Collector Shaft - Brass                                                            |   |
| G20DE00  | Dirt Collector Nozzle - PVC                                                             |   |
| G21DE00  | Hydraulic Motor - PVC                                                                   |   |
| G22CE13  | Dirt Collector Locking Plug - St/St                                                     |   |
| G28DE00  | Separator Plate and Bearing Assembly supplied with P/N G29DE00                          |   |
| G29DE00  | Dirt Collector Bearing - Brass                                                          |   |
| 30BE00   | Differential Pressure Switch                                                            | 1 |
| 31BE00   | Solenoid Valve, 24 Vac, 3-Way, N.O.                                                     | 1 |
| G32DE00  | 1/4" Mini Filter with 1/8" port                                                         |   |
| G33AE00  | Pressure Gauge Enclosure                                                                |   |
| G34AE00  | Pressure Gauge Enclosure Cover                                                          |   |
| G37AE00  | Pressure Gauge                                                                          |   |
| 43BE00   | Three Way Mini Valve                                                                    |   |
| 46DS00   | 4" Controlled Outlet Valve Assembly supplied with a Solenoid Valve, 24 Vac, 3-Way, N.C. |   |
| G50DE13  | Dirt Collector Bearing Sleeve - St/St                                                   |   |
| G55DE00  | Fitting and Tubing Kit                                                                  |   |
| 70BE00   | 2-Wire Latching Solenoid Valve                                                          |   |
| 72BE00   | 1/4" Flow Control Needle Valve                                                          |   |
| 10221034 | Silicon Tube                                                                            | 1 |
| 10221035 | Teflon Tape                                                                             | 1 |

\* Z - 5, Y - 10, A - 15, B - 25, C - 30, D - 40, E - 50, F - 80, G - 100, H - 120, J - 150, K - 200, R - 300, L - 400, M - 800, N - 1000,

P - 1500, Q - 3000. All screen sizes are in microns.

\*\* 15 & 25 micron screens are priced at \$2,341.00 each; 30 & 40 micron screens are priced at \$2,112.00 each

Wedge Wire & Multi-Layered, Sintered Stainless Steel Screen are also available. Please contact Rain Bird for additional details.

| Part Number | HS-G-06-LS Spare Parts Description                                                             | Recommended Spares |
|-------------|------------------------------------------------------------------------------------------------|--------------------|
| G01ES00     | Housing, Bottom                                                                                |                    |
| G02DE00     | Housing, Top                                                                                   |                    |
| G4*DE00     | Fine Screen Assembly (50 - 3000 micron only)** supplied with P/N 16CE13, 17GS00, and G18DE00   | 1                  |
| G05DE00     | Dirt Collector Assembly supplied with P/N G19DE00, four G20DE00, G21DE00, G22CE13, and G50DE13 | 1                  |
| G05DE0A     | Dirt Collector Threaded Cap - PVC (2 req'd)                                                    |                    |
| G06DE00     | 1-1/2" Rinse Valve Assembly                                                                    | 1                  |
| G07DE13     | Hydraulic Piston Assembly                                                                      | 1                  |
| G7ACE13     | Hydraulic Piston Repair Kit                                                                    |                    |
| 12GS00      | Housing/Cover Seal                                                                             | 1                  |
| G13DE13     | 1/2" Housing Bolt - St/St (8 req'd)                                                            |                    |

|          |                                                                                            |   |
|----------|--------------------------------------------------------------------------------------------|---|
| 14BE13   | 1/2" Housing/Cover Washer - St/St (8 req'd)                                                |   |
| 16CE13   | Shaft Bearing/Upper Bearing - St/St                                                        | 1 |
| 17GS00   | Fine Screen Handle                                                                         |   |
| G18DE00  | Fine Screen Seal (2 req'd)                                                                 | 2 |
| G19DE00  | Dirt Collector Shaft - Brass                                                               |   |
| G20DE00  | Dirt Collector Nozzle - PVC                                                                |   |
| G21DE00  | Hydraulic Motor - PVC                                                                      |   |
| G22CE13  | Dirt Collector Locking Plug - St/St                                                        |   |
| G28DE00  | Separator Plate and Bearing Assembly supplied with P/N                                     |   |
|          | G29DE00                                                                                    |   |
| G29DE00  | Dirt Collector Bearing - Brass                                                             |   |
| 30BE00   | Differential Pressure Switch                                                               | 1 |
| 31BE00   | Solenoid Valve, 24 Vac, 3-Way, N.O.                                                        | 1 |
| G32DE00  | 1/4" Mini Filter with 1/8" port                                                            |   |
| G33AE00  | Pressure Gauge Enclosure                                                                   |   |
| G34AE00  | Pressure Gauge Enclosure Cover                                                             |   |
| G37AE00  | Pressure Gauge                                                                             |   |
| 43BE00   | Three Way Mini Valve                                                                       |   |
| 46EE00   | 6" Controlled Outlet Valve Assembly supplied with a<br>Solenoid Valve, 24 Vac, 3-Way, N.C. |   |
| G50DE13  | Dirt Collector Bearing Sleeve - St/St                                                      |   |
| G55DE00  | Fitting and Tubing Kit                                                                     |   |
| 70BE00   | 2-Wire Latching Solenoid Valve                                                             |   |
| 72BE00   | 1/4" Flow Control Needle Valve                                                             |   |
| 10221034 | Silicon Tube                                                                               | 1 |
| 10221035 | Teflon Tape                                                                                | 1 |

\* Z - 5, Y - 10, A - 15, B - 25, C - 30, D - 40, E - 50, F - 80, G - 100, H - 120, J - 150, K - 200, R - 300, L - 400, M - 800, N - 1000,

P - 1500, Q - 3000. All screen sizes are in microns.

\*\* 15 & 25 micron screens are priced at \$2,341.00 each; 30 & 40 micron screens are priced at \$2,112.00 each

Wedge Wire & Multi-Layered, Sintered Stainless Steel Screen are also available.

| Part Number | HS-G-06-LE Spare Parts Description                                                               | Recommended Spares |
|-------------|--------------------------------------------------------------------------------------------------|--------------------|
| G01EE00     | Housing, Bottom                                                                                  |                    |
| G02DE00     | Housing, Top                                                                                     |                    |
| G4*EE00     | Fine Screen Assembly (50 - 3000 micron only)** supplied<br>with P/N 16CE13, 17GS00, and G18DE00  | 1                  |
| G05EE00     | Dirt Collector Assembly supplied with P/N G19DE00, six<br>G20DE00, G21DE00, G22CE13, and G50DE13 | 1                  |
| G05DE0A     | Dirt Collector Threaded Cap - PVC (2 req'd)                                                      |                    |
| G06DE00     | 1-1/2" Rinse Valve Assembly                                                                      | 1                  |
| G07DE13     | Hydraulic Piston Assembly                                                                        | 1                  |
| G7ACE13     | Hydraulic Piston Repair Kit                                                                      |                    |

|          |                                                                                         |   |
|----------|-----------------------------------------------------------------------------------------|---|
| 12GS00   | Housing/Cover Seal                                                                      | 1 |
| G13DE13  | 1/2" Housing Bolt - St/St (8 req'd)                                                     |   |
| 14BE13   | 1/2" Housing/Cover Washer - St/St (8 req'd)                                             |   |
| 16CE13   | Shaft Bearing/Upper Bearing - St/St                                                     | 1 |
| 17GS00   | Fine Screen Handle                                                                      |   |
| G18DE00  | Fine Screen Seal (2 req'd)                                                              | 2 |
| G19DE00  | Dirt Collector Shaft - Brass                                                            |   |
| G20DE00  | Dirt Collector Nozzle - PVC                                                             |   |
| G21DE00  | Hydraulic Motor - PVC                                                                   |   |
| G22CE13  | Dirt Collector Locking Plug - St/St                                                     |   |
| G28DE00  | Separator Plate and Bearing Assembly supplied with P/N G29DE00                          |   |
| G29DE00  | Dirt Collector Bearing - Brass                                                          |   |
| 30BE00   | Differential Pressure Switch                                                            | 1 |
| 31BE00   | Solenoid Valve, 24 Vac, 3-Way, N.O.                                                     | 1 |
| G32DE00  | 1/4" Mini Filter with 1/8" port                                                         |   |
| G33AE00  | Pressure Gauge Enclosure                                                                |   |
| G34AE00  | Pressure Gauge Enclosure Cover                                                          |   |
| G37AE00  | Pressure Gauge                                                                          |   |
| 43BE00   | Three Way Mini Valve                                                                    |   |
| 46EE00   | 6" Controlled Outlet Valve Assembly supplied with a Solenoid Valve, 24 Vac, 3-Way, N.C. |   |
| G50DE13  | Dirt Collector Bearing Sleeve - St/St                                                   |   |
| G55DE00  | Fitting and Tubing Kit                                                                  |   |
| 70BE00   | 2-Wire Latching Solenoid Valve                                                          |   |
| 72BE00   | 1/4" Flow Control Needle Valve                                                          |   |
| 10221034 | Silicon Tube                                                                            | 1 |
| 10221035 | Teflon Tape                                                                             | 1 |

\* Z - 5, Y - 10, A - 15, B - 25, C - 30, D - 40, E - 50, F - 80, G - 100, H - 120, J - 150, K - 200, R - 300, L - 400, M - 800, N - 1000,

P - 1500, Q - 3000. All screen sizes are in microns.

\*\* 15 & 25 micron screens are priced at \$3,498.00 each; 30 & 40 micron screens are priced at \$2,811.00 each

Wedge Wire & Multi-Layered, Sintered Stainless Steel Screen are also available. Please contact Rain Bird for additional details.

| Part Number | HS-G-08-LS Spare Parts Description                                                            | Recommended Spares |
|-------------|-----------------------------------------------------------------------------------------------|--------------------|
| G01FS00     | Housing, Bottom                                                                               |                    |
| G02DE00     | Housing, Top                                                                                  |                    |
| G4*EE00     | Fine Screen Assembly (50 - 3000 micron only)** supplied with P/N 16CE13, 17GS00, and G18DE00  | 1                  |
| G05EE00     | Dirt Collector Assembly supplied with P/N G19DE00, six G20DE00, G21DE00, G22CE13, and G50DE13 | 1                  |
| G05DE0A     | Dirt Collector Threaded Cap - PVC (2 req'd)                                                   |                    |

|          |                                                                                         |   |
|----------|-----------------------------------------------------------------------------------------|---|
| G06DE00  | 1-1/2" Rinse Valve Assembly                                                             | 1 |
| G07DE13  | Hydraulic Piston Assembly                                                               | 1 |
| G7ACE13  | Hydraulic Piston Repair Kit                                                             |   |
| 12GS00   | Housing/Cover Seal                                                                      | 1 |
| G13DE13  | 1/2" Housing Bolt - St/St (8 req'd)                                                     |   |
| 14BE13   | 1/2" Housing/Cover Washer - St/St (8 req'd)                                             |   |
| 16CE13   | Shaft Bearing/Upper Bearing - St/St                                                     | 1 |
| 17GS00   | Fine Screen Handle                                                                      |   |
| G18DE00  | Fine Screen Seal (2 req'd)                                                              | 2 |
| G19DE00  | Dirt Collector Shaft - Brass                                                            |   |
| G20DE00  | Dirt Collector Nozzle - PVC                                                             |   |
| G21DE00  | Hydraulic Motor - PVC                                                                   |   |
| G22CE13  | Dirt Collector Locking Plug - St/St                                                     |   |
| G28DE00  | Separator Plate and Bearing Assembly supplied with P/N G29DE00                          |   |
| G29DE00  | Dirt Collector Bearing - Brass                                                          |   |
| 30BE00   | Differential Pressure Switch                                                            | 1 |
| 31BE00   | Solenoid Valve, 24 Vac, 3-Way, N.O.                                                     | 1 |
| G32DE00  | 1/4" Mini Filter with 1/8" port                                                         |   |
| G33AE00  | Pressure Gauge Enclosure                                                                |   |
| G34AE00  | Pressure Gauge Enclosure Cover                                                          |   |
| G37AE00  | Pressure Gauge                                                                          |   |
| 43BE00   | Three Way Mini Valve                                                                    |   |
| 46FS00   | 8" Controlled Outlet Valve Assembly supplied with a Solenoid Valve, 24 Vac, 3-Way, N.C. |   |
| G50DE13  | Dirt Collector Bearing Sleeve - St/St                                                   |   |
| G55DE00  | Fitting and Tubing Kit                                                                  |   |
| 70BE00   | 2-Wire Latching Solenoid Valve                                                          |   |
| 72BE00   | 1/4" Flow Control Needle Valve                                                          |   |
| 10221034 | Silicon Tube                                                                            | 1 |
| 10221035 | Teflon Tape                                                                             | 1 |

\* Z - 5, Y - 10, A - 15, B - 25, C - 30, D - 40, E - 50, F - 80, G - 100, H - 120, J - 150, K - 200, R - 300, L - 400, M - 800, N - 1000,

P - 1500, Q - 3000. All screen sizes are in microns.

\*\* 15 & 25 micron screens are priced at \$3,498.00 each; 30 & 40 micron screens are priced at \$2,811.00 each

Wedge Wire & Multi-Layered, Sintered Stainless Steel Screen are also available. Please contact Rain Bird for additional details.

| Part Number | HS-G-10-LS Spare Parts Description                                                           | Recommended Spares |
|-------------|----------------------------------------------------------------------------------------------|--------------------|
| G01GS00     | Housing, Bottom                                                                              |                    |
| G02DE00     | Housing, Top                                                                                 |                    |
| G4*EE00     | Fine Screen Assembly (50 - 3000 micron only)** supplied with P/N 16CE13, 17GS00, and G18DE00 | 1                  |

|          |                                                                                                  |   |
|----------|--------------------------------------------------------------------------------------------------|---|
| G05EE00  | Dirt Collector Assembly supplied with P/N G19DE00, six<br>G20DE00, G21DE00, G22CE13, and G50DE13 | 1 |
| G05DE0A  | Dirt Collector Threaded Cap - PVC (2 req'd)                                                      |   |
| G06DE00  | 1-1/2" Rinse Valve Assembly                                                                      | 1 |
| G07DE13  | Hydraulic Piston Assembly                                                                        | 1 |
| G7ACE13  | Hydraulic Piston Repair Kit                                                                      |   |
| 12GS00   | Housing/Cover Seal                                                                               | 1 |
| G13DE13  | 1/2" Housing Bolt - St/St (8 req'd)                                                              |   |
| 14BE13   | 1/2" Housing/Cover Washer - St/St (8 req'd)                                                      |   |
| 16CE13   | Shaft Bearing/Upper Bearing - St/St                                                              | 1 |
| 17GS00   | Fine Screen Handle                                                                               |   |
| G18DE00  | Fine Screen Seal (2 req'd)                                                                       | 2 |
| G19DE00  | Dirt Collector Shaft - Brass                                                                     |   |
| G20DE00  | Dirt Collector Nozzle - PVC                                                                      |   |
| G21DE00  | Hydraulic Motor - PVC                                                                            |   |
| G22CE13  | Dirt Collector Locking Plug - St/St                                                              |   |
| G28DE00  | Separator Plate and Bearing Assembly supplied with P/N<br>G29DE00                                |   |
| G29DE00  | Dirt Collector Bearing - Brass                                                                   |   |
| 30BE00   | Differential Pressure Switch                                                                     | 1 |
| 31BE00   | Solenoid Valve, 24 Vac, 3-Way, N.O.                                                              | 1 |
| G32DE00  | 1/4" Mini Filter with 1/8" port                                                                  |   |
| G33AE00  | Pressure Gauge Enclosure                                                                         |   |
| G34AE00  | Pressure Gauge Enclosure Cover                                                                   |   |
| G37AE00  | Pressure Gauge                                                                                   |   |
| 43BE00   | Three Way Mini Valve                                                                             |   |
| 46GS00   | 10" Controlled Outlet Valve Assembly supplied with a<br>Solenoid Valve, 24 Vac, 3-Way, N.C.      |   |
| G50DE13  | Dirt Collector Bearing Sleeve - St/St                                                            |   |
| G55DE00  | Fitting and Tubing Kit                                                                           |   |
| 70BE00   | 2-Wire Latching Solenoid Valve                                                                   |   |
| 72BE00   | 1/4" Flow Control Needle Valve                                                                   |   |
| 10221034 | Silicon Tube                                                                                     | 1 |
| 10221035 | Teflon Tape                                                                                      | 1 |

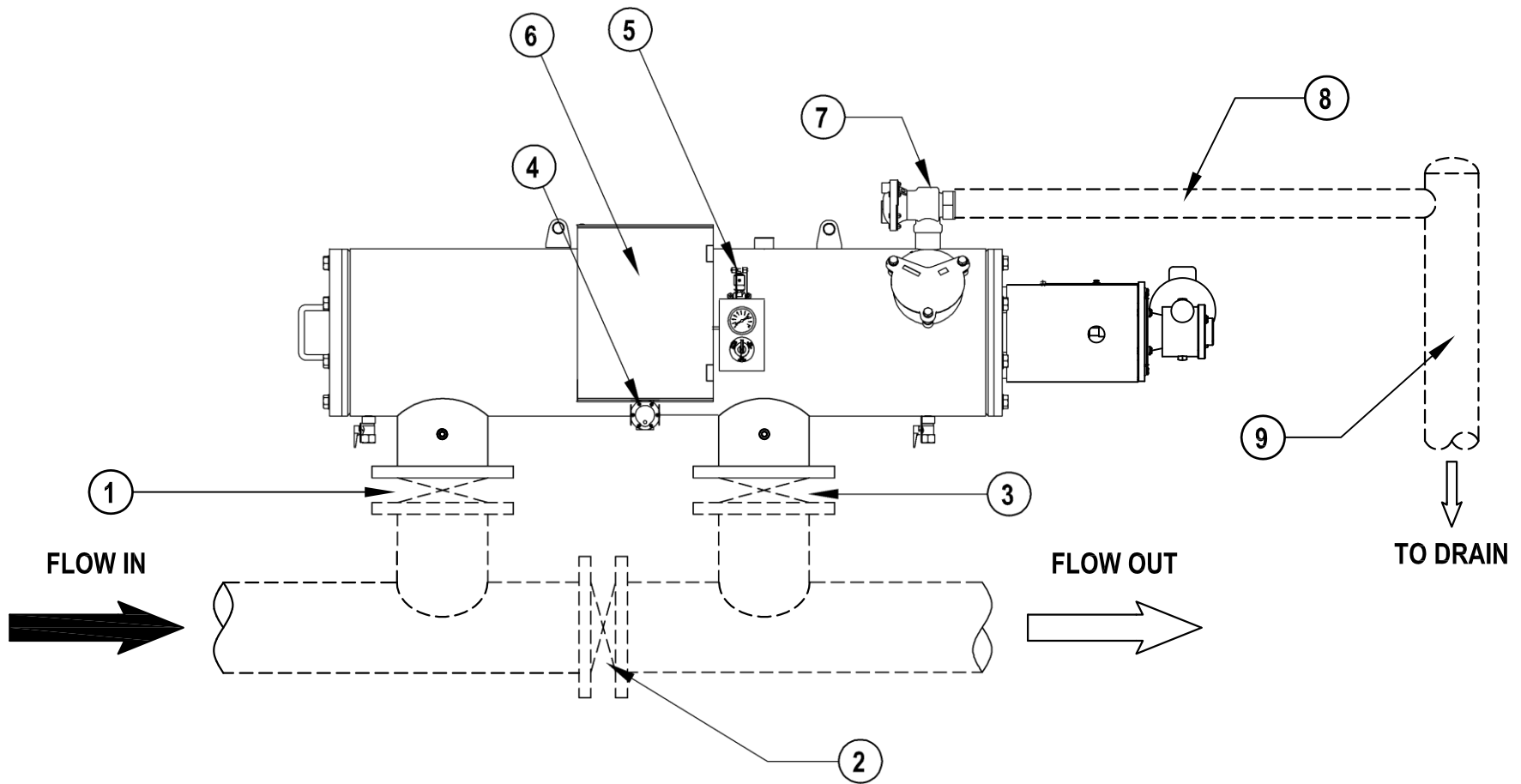
\* Z - 5, Y - 10, A - 15, B - 25, C - 30, D - 40, E - 50, F - 80, G - 100, H - 120, J - 150, K - 200, R - 300, L - 400, M - 800, N - 1000,

P - 1500, Q - 3000. All screen sizes are in microns.

\*\* 15 & 25 micron screens are priced at \$3,498.00 each; 30 & 40 micron screens are priced at \$2,811.00 each

Wedge Wire & Multi-Layered, Sintered Stainless Steel Screen are also available.

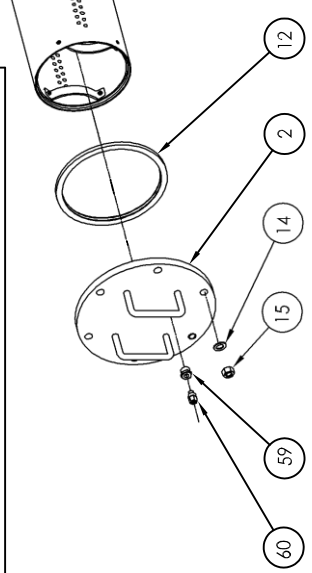
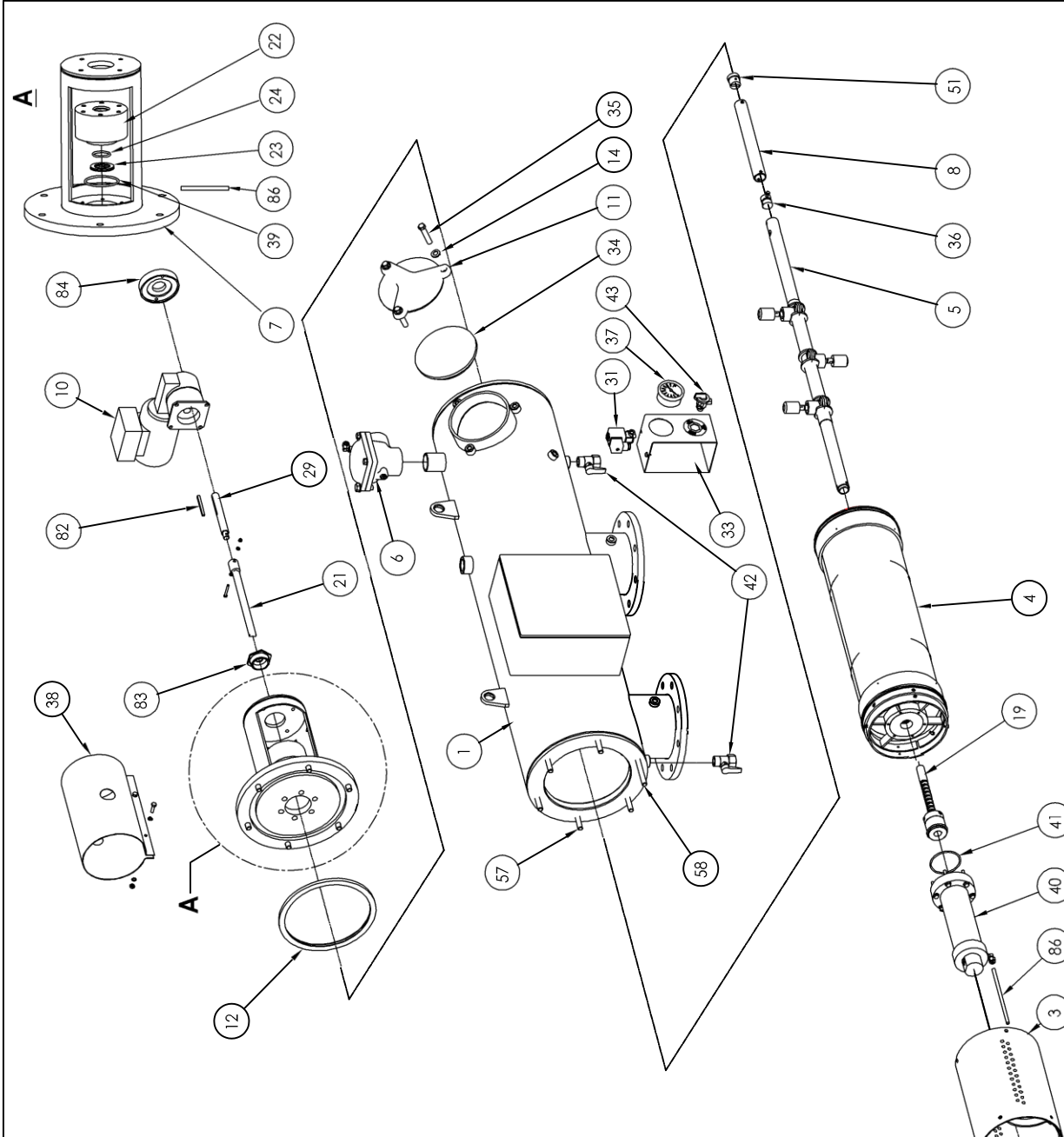
Please contact Rain Bird for additional details.



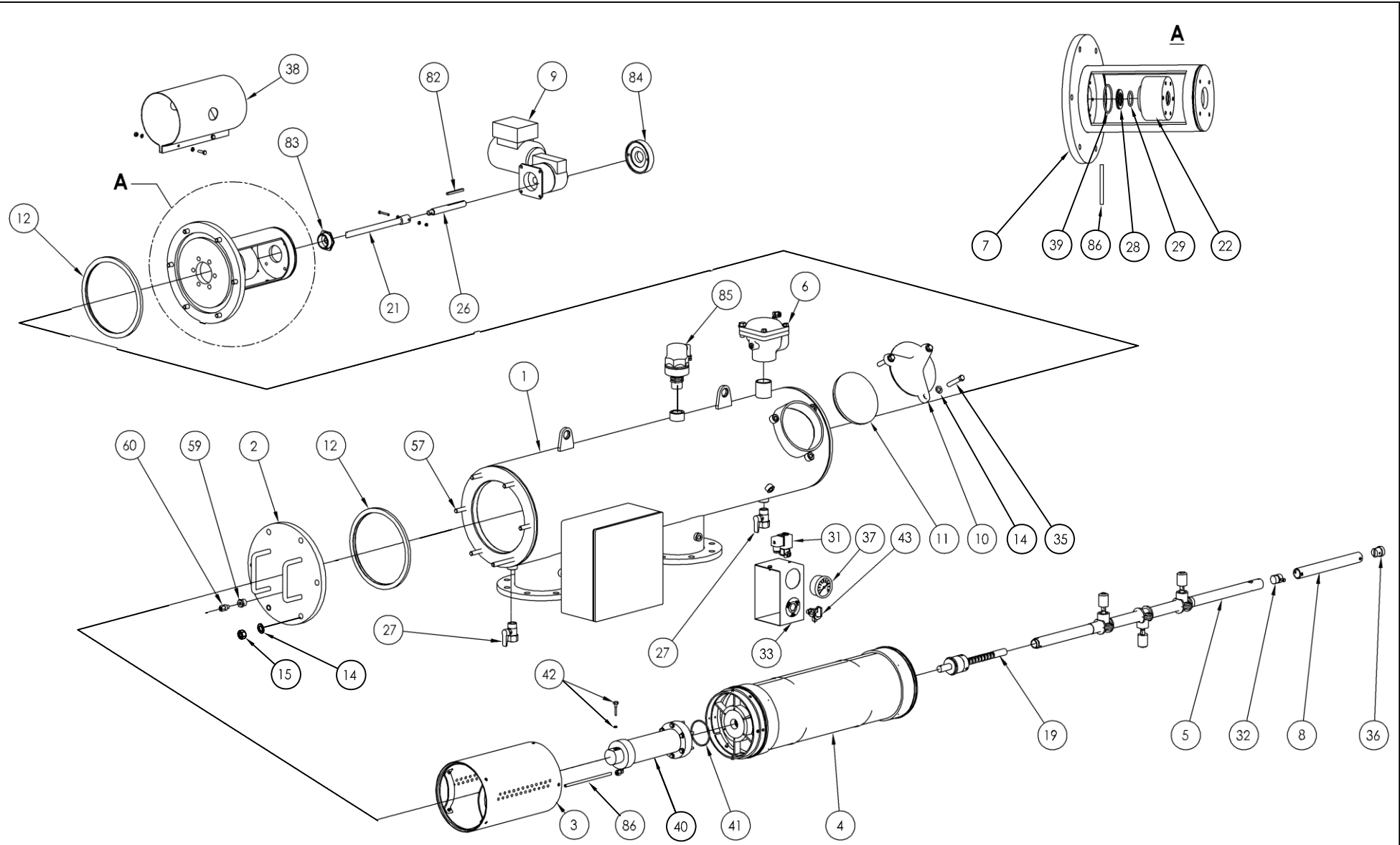
| 9   | Drain Header                 | Customer Supplied    |
|-----|------------------------------|----------------------|
| 8   | Drain Line                   | Customer Supplied    |
| 7   | Rinse Valve                  | Supplied with Filter |
| 6   | 4000E Controller             | In NEMA 4X Enclosure |
| 5   | 3-Way NO Solenoid Valve      | 24 Vac, 60 Hz, N.C.  |
| 4   | Differential Pressure Switch | Preset to 7 psi      |
| 3   | Outlet Isolation Valve       | Customer Supplied    |
| 2   | System Bypass Valve          | Customer Supplied    |
| 1   | Inlet Isolation Valve        | Customer Supplied    |
| No. | Description                  | Notes                |

|           |             |                                                                                                                                                               |
|-----------|-------------|---------------------------------------------------------------------------------------------------------------------------------------------------------------|
| DWG. NO.  | SCALE: NONE | INSTALLATION LAYOUT FOR A TYPICAL<br>ON-LINE E SERIES FILTER WITH BYPASS<br><br><b>RAIN BIRD CORPORATION</b><br>6991 EAST SOUTHPOINT ROAD<br>TUCSON, AZ 85756 |
| DRAWN BY: | DATE:       |                                                                                                                                                               |

| FIND | DESCRIPTION                                  |
|------|----------------------------------------------|
| 1    | FILTER BODY                                  |
| 2    | FILTER FRONT COVER                           |
| 3    | COARSE SCREEN ASSEMBLY                       |
| 4    | FINE SCREEN ASSEMBLY                         |
| 5    | DIRT COLLECTOR ASSEMBLY                      |
| 6    | RINSE VALVE ASSEMBLY                         |
| 7    | REAR COVER & MOTOR SUPPORT                   |
| 8    | DIRT COLLECTOR EXTENSION SHAFT               |
| 10   | 1/4 HP GEARED MOTOR ASSEMBLY                 |
| 11   | CHAMBER SERVICE PORT COVER                   |
| 12   | COVER SEAL                                   |
| 14   | COVER WASHER                                 |
| 15   | COVER HEX NUT                                |
| 19   | LINEAR MOTION SHAFT                          |
| 21   | DRIVE SHAFT                                  |
| 22   | DIRT COLLECTOR REAR HOUSING                  |
| 23   | FRONT & REAR DIRT COLLECTOR HOUSING O-RING   |
| 24   | FRONT & REAR DIRT COLLECTOR HOUSING SEAL SET |
| 29   | MOTOR EXTENSION SHAFT                        |
| 31   | 3-WAY SOLENOID VALVE                         |
| 33   | PRESSURE GAUGE ENCLOSURE                     |
| 34   | CHAMBER SERVICE PORT COVER SEAL              |
| 35   | CHAMBER SERVICE PORT COVER BOLT              |
| 36   | DIRT COLLECTOR SHAFT COUPLING                |
| 37   | PRESSURE GAUGE                               |
| 38   | DRIVE SHAFT & MOTOR SUPPORT COVER            |
| 39   | DIRT COLLECTOR REAR SUPPORT HOUSING O-RING   |
| 40   | LINEAR MOTION SHAFT COVER                    |
| 41   | LINEAR MOTION SHAFT COVER O-RING             |
| 42   | BOTTOM DRAIN BALL VALVE                      |
| 43   | 3-WAY MINI-VALVE                             |
| 51   | DRIVE SHAFT SLOTTED DRIVE BUSHING            |
| 57   | FRONT COVER STUD                             |
| 58   | FRONT COVER LONG STUD                        |
| 59   | FRONT COVER BUSHING                          |
| 60   | FRONT COVER TUBING SEAL FITTING              |
| 82   | MOTOR EXTENSION SHAFT KEY                    |
| 83   | MOTOR CENTERING BUSHING                      |
| 84   | MOTOR END COVER                              |
| 86   | VENT TUBE                                    |

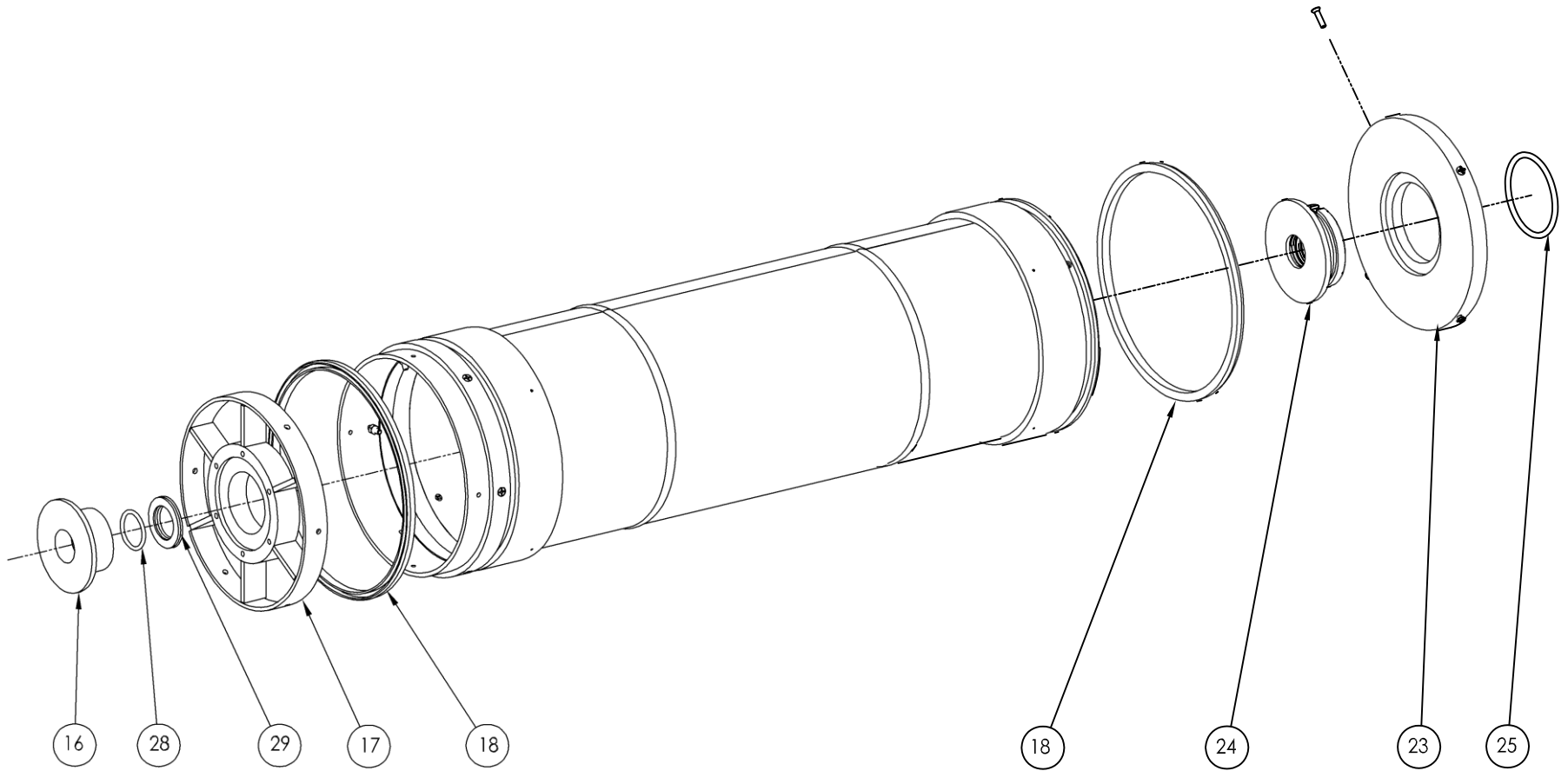


|                           |                   |
|---------------------------|-------------------|
| DRAWING NO.:<br>7100      | SCALE: NONE       |
| DRAWN BY:<br>G KALINOWSKI | DATE:<br>03/01/13 |

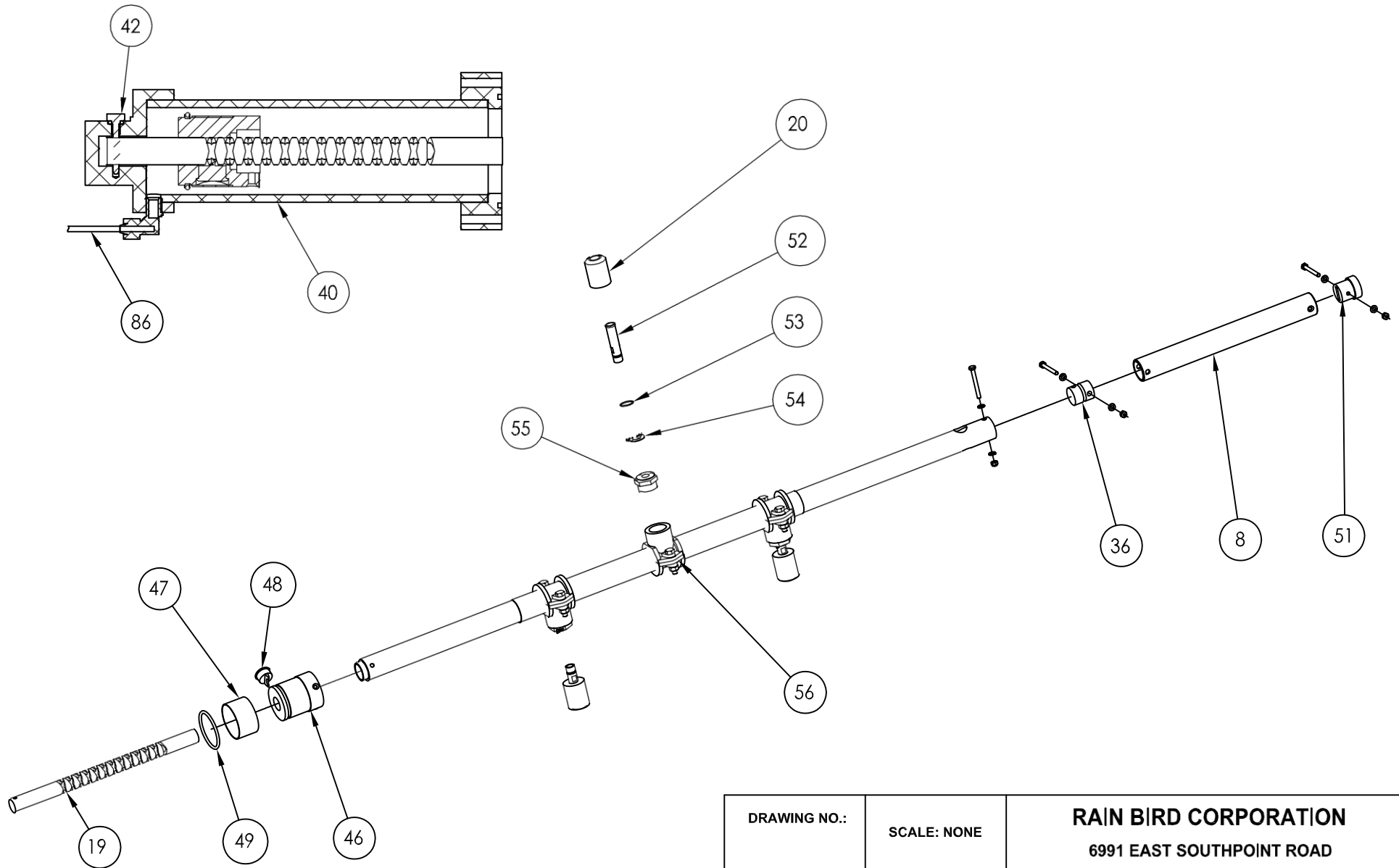


|                                                                                                  |             |                                                                               |
|--------------------------------------------------------------------------------------------------|-------------|-------------------------------------------------------------------------------|
| DRAWING NO.:                                                                                     | SCALE: NONE | <b>RAIN BIRD CORPORATION</b><br>6991 EAST SOUTHPOINT ROAD<br>TUCSON, AZ 85756 |
| DRAWN BY:                                                                                        | DATE:       |                                                                               |
| TYPICAL E SERIES FILTER ASSEMBLY DRAWING<br>SEE EXACT MODEL'S PARTS LIST FOR PART IDENTIFICATION |             |                                                                               |





|              |             |                                                                               |
|--------------|-------------|-------------------------------------------------------------------------------|
| DRAWING NO.: | SCALE: NONE | <b>RAIN BIRD CORPORATION</b><br>6991 EAST SOUTHPOINT ROAD<br>TUCSON, AZ 85756 |
| DRAWN BY:    | DATE:       |                                                                               |



|              |             |                                                                               |
|--------------|-------------|-------------------------------------------------------------------------------|
| DRAWING NO.: | SCALE: NONE | <b>RAIN BIRD CORPORATION</b><br>6991 EAST SOUTHPOINT ROAD<br>TUCSON, AZ 85756 |
| DRAWN BY:    | DATE:       |                                                                               |

# E-Series Spare Parts

| Identifier<br><br>number<br>in<br>manual | <b>Model ES-E-03-PS</b>     |          |                                                                                                         |                               |
|------------------------------------------|-----------------------------|----------|---------------------------------------------------------------------------------------------------------|-------------------------------|
|                                          | <b>Quantity<br/>Ordered</b> |          | <b>Description</b>                                                                                      | <b>Recommended<br/>Spares</b> |
| 2                                        |                             | EA02BS00 | Front Cover                                                                                             |                               |
| 3                                        |                             | EA03BS00 | Coarse Screen Assembly                                                                                  |                               |
| 4                                        |                             | EA4*BS17 | Fine Screen Assembly supplied with P/N EA17BS00,<br>(2) BE18BS00, EA23BS00, EA24BS00 & EA25BS00         |                               |
| 5                                        |                             | EA05BS13 | Dirt Collector Assembly supplied with P/N EA20BS00,<br>EA52BS13, EA53BS00, EA54BS00, EA55BS00, EA56BS00 |                               |
| 6                                        |                             | EA06BS00 | 1-1/2" Rinse Valve Assembly                                                                             |                               |
| 7                                        |                             | EA07BS00 | Rear Cover & Motor Support                                                                              |                               |
| 8                                        |                             | EA08BS13 | Dirt Collector Extension Shaft - St/St                                                                  |                               |
| 9                                        |                             | EA09BS12 | 1/4 Hp Geared Motor Assembly - 1ph,120v, 60 Hz - R28                                                    |                               |
| 9                                        |                             | EA09BS23 | 1/4 Hp Geared Motor Assembly - 1ph, 230v, 50 Hz - R28                                                   |                               |
| 10                                       |                             | EA10BS00 | Chamber Service Port Cover                                                                              |                               |
| 11                                       |                             | EA11BS00 | Chamber Service Port Cover Seal                                                                         | 1                             |
| 12                                       |                             | 12BE00   | Cover Seal                                                                                              | 1                             |
| 13                                       |                             | EA13BS13 | Rear Cover Hex Bolt - 1/2" St/St                                                                        |                               |
| 14                                       |                             | 14BE13   | Cover Washer - 1/2" St/St                                                                               |                               |
| 15                                       |                             | 15BE13   | Front Cover Hex Nut - 1/2" St/St                                                                        |                               |
| 16                                       |                             | EA16BS00 | Dirt Collector Front Support Housing - Delrin                                                           | 1                             |
| 17                                       |                             | EA17BS00 | Fine Screen Handle                                                                                      |                               |
| 18                                       |                             | E18BS00  | Fine Screen Seal                                                                                        | 2                             |
| 19                                       |                             | EA19BS00 | Linear Motion Shaft - Navel Brass                                                                       | 1                             |
| 20                                       |                             | EA20BS00 | Adjustable Nozzle - Delrin                                                                              | 6                             |
| 21                                       |                             | EA21BS13 | Drive Shaft - St/St                                                                                     | 1                             |
| 22                                       |                             | EA22BS00 | Dirt Collector Rear Support Housing - Delrin                                                            |                               |
| 23                                       |                             | EA23BS00 | Dirt Collector Screen Guide Disc - PVC                                                                  |                               |
| 24                                       |                             | EA24BS00 | Dirt Collector Screen Guide - Delrin                                                                    | 1                             |
| 25                                       |                             | EA25BS00 | Dirt Collector Screen Guide O-Ring                                                                      |                               |
| 26                                       |                             | EA26BS13 | Drive Motor Extension Shaft - St/St                                                                     |                               |
| 27                                       |                             | EA27BS00 | Bottom Drain Valve                                                                                      |                               |
| 28                                       |                             | EA28BS00 | Front & Rear Dirt Collector Support Housing O-Ring                                                      | 2                             |
| 29                                       |                             | EA29BS00 | Front & Rear Dirt Collector Support Housing Seal Set                                                    | 2                             |
| 30                                       |                             | 30BE00   | Differential Pressure Switch                                                                            |                               |
| 31                                       |                             | 31BE00   | Solenoid Valve, 24 Vac, 3-Way, N.O.                                                                     | 1                             |
| 32                                       |                             | G32AE00  | 1/4" Mini Filter with 1/8" Port                                                                         | 2                             |
| 33                                       |                             | G33AE00  | Pressure Gauge Enclosure                                                                                |                               |
| 34                                       |                             | G34AE00  | Pressure Gauge Enclosure Cover (optional)                                                               |                               |
| 35                                       |                             | EA35BS13 | Chamber Service Port Cover Bolt - 1/2" St/St                                                            |                               |

|    |  |          |                                               |   |
|----|--|----------|-----------------------------------------------|---|
| 36 |  | EA36BS00 | Dirt Collector Shaft Coupling                 | 1 |
| 37 |  | G37AE00  | Pressure Gauge                                |   |
| 38 |  | EA38BS13 | Drive Shaft & Motor Support Cover - St/St     |   |
| 39 |  | EA39BS00 | Dirt Collector Rear Support Housing - O-Ring  | 1 |
| 40 |  | EA40BS00 | Linear Motion Shaft Cover - PVC               |   |
| 41 |  | EA41BS00 | O-Ring Seal/Retainer                          | 1 |
| 42 |  | EA42BS13 | Linear Motion Shaft Pin & O-Ring Set          | 1 |
| 43 |  | 43BE00   | Three Way Mini Valve                          |   |
| 44 |  | EA44BS13 | Linear Motion Shaft Cover Bolt - 1/4" - St/St |   |
| 45 |  | EA45BS13 | Linear Motion Shaft Cover Washer - 1/4" St/St |   |
| 46 |  | EA46BS13 | Linear Motion Shaft Bushing - St/St           | 1 |
| 47 |  | EA47BS13 | Linear Motion Shaft Bushing Cover - St/St     |   |
| 48 |  | EA48BS13 | Linear Motion Shaft Drive Pin - St/St         | 1 |
| 49 |  | EA49BS00 | Linear Motion Shaft Bushing Cover O-Ring      |   |
| 50 |  | EA50BS13 | Linear Motion Shaft Bushing Screws - St/St    |   |
| 51 |  | EA51BS00 | Drive Shaft Slotted Drive Bushing             | 1 |
| 52 |  | EA52BS13 | Nozzle Stem - St/St                           |   |
| 53 |  | EA53BS00 | Nozzle Stop O-Ring                            |   |
| 54 |  | EA54BS00 | Nozzle Retaining Clip                         |   |
| 55 |  | EA55BS00 | Nozzle Stem Bushing                           |   |
| 56 |  | EA56BS00 | Nozzle Base & Clamp Assembly with hardware    |   |
| 57 |  | EA57BS13 | Front Cover Stud - 1/2" - St/St               |   |
| 58 |  | EA58BS13 | Front Cover Long Stud - 1/2" - St/St          |   |
| 59 |  | EA59BS00 | Front Cover Bushing                           |   |
| 60 |  | EA60BS00 | Front Cover Tubing Seal Fitting               |   |
|    |  | EA79BS00 | Single Use Silicone Grease Tube               | 1 |
|    |  | EA80BS00 | Aluminum Complex Grease - small tube          | 1 |
|    |  | EA81BS00 | Thread Locking Compound                       |   |
| 82 |  | EA82BS13 | Drive Motor Extension shaft Drive Key - St/St |   |
| 83 |  | EA83BS00 | Motor Centering Bushing                       |   |
| 84 |  | EA84BS00 | Motor Cover                                   |   |
| 85 |  | EA85BS00 | 1" Pressure Relief Valve (optional)           |   |
| 86 |  | EA86BS00 | 8 mm Vent Tube - 5 foot                       |   |
|    |  | EA87BS00 | Tubing & Fitting Kit                          |   |
|    |  | EA88BS00 | 1" Plug                                       |   |

\* E - 50, F - 80, G - 100, H - 120, J - 150, K - 200, R - 300, L - 400, M - 800, N - 1000, P - 1500, Q - 3000.

All screen sizes are in microns.

Fine screens below 50 microns are also available. Contact Rain Bird for current pricing.

| Identifier | Model ES-E-03-PS |             |                                                                                                      |                    |
|------------|------------------|-------------|------------------------------------------------------------------------------------------------------|--------------------|
|            | Quantity Ordered | Part Number | Description                                                                                          | Recommended Spares |
|            |                  |             |                                                                                                      |                    |
| 2          |                  | EA02BS00    | Front Cover                                                                                          |                    |
| 3          |                  | EA03DS00    | Coarse Screen Assembly                                                                               |                    |
| 4          |                  | EA4*DS17    | Fine Screen Assembly supplied with P/N EA17BS00, (2) BE18BS00, EA23BS00, EA24BS00 & EA25BS00         |                    |
| 5          |                  | EA05DS13    | Dirt Collector Assembly supplied with P/N EA20BS00, EA52BS13, EA53BS00, EA54BS00, EA55BS00, EA56BS00 |                    |
| 6          |                  | EA06BS00    | 1-1/2" Rinse Valve Assembly                                                                          |                    |
| 7          |                  | EA07BS00    | Rear Cover & Motor Support                                                                           |                    |
| 8          |                  | EA08BS13    | Dirt Collector Extension Shaft - St/St                                                               |                    |
| 9          |                  | EA09BS12    | 1/4 Hp Geared Motor Assembly - 1ph,120v, 60 Hz - R28                                                 |                    |
| 9          |                  | EA09BS23    | 1/4 Hp Geared Motor Assembly - 1ph, 230v, 50 Hz - R28                                                |                    |
| 10         |                  | EA10BS00    | Chamber Service Port Cover                                                                           |                    |
| 11         |                  | EA11BS00    | Chamber Service Port Cover Seal                                                                      | 1                  |
| 12         |                  | 12BE00      | Cover Seal                                                                                           | 1                  |
| 13         |                  | EA13BS13    | Rear Cover Hex Bolt - 1/2" St/St                                                                     |                    |
| 14         |                  | 14BE13      | Cover Washer - 1/2" St/St                                                                            |                    |
| 15         |                  | 15BE13      | Front Cover Hex Nut - 1/2" St/St                                                                     |                    |
| 16         |                  | EA16BS00    | Dirt Collector Front Support Housing - Delrin                                                        | 1                  |
| 17         |                  | EA17BS00    | Fine Screen Handle                                                                                   |                    |
| 18         |                  | E18BS00     | Fine Screen Seal                                                                                     | 2                  |
| 19         |                  | EA19BS00    | Linear Motion Shaft - Navel Brass                                                                    | 1                  |
| 20         |                  | EA20BS00    | Adjustable Nozzle - Delrin                                                                           | 6                  |
| 21         |                  | EA21BS13    | Drive Shaft - St/St                                                                                  | 1                  |
| 22         |                  | EA22BS00    | Dirt Collector Rear Support Housing - Delrin                                                         |                    |
| 23         |                  | EA23BS00    | Dirt Collector Screen Guide Disc - PVC                                                               |                    |
| 24         |                  | EA24BS00    | Dirt Collector Screen Guide - Delrin                                                                 | 1                  |
| 25         |                  | EA25BS00    | Dirt Collector Screen Guide O-Ring                                                                   |                    |
| 26         |                  | EA26BS13    | Drive Motor Extension Shaft - St/St                                                                  |                    |
| 27         |                  | EA27BS00    | Bottom Drain Valve                                                                                   |                    |
| 28         |                  | EA28BS00    | Front & Rear Dirt Collector Support Housing O-Ring                                                   | 2                  |
| 29         |                  | EA29BS00    | Front & Rear Dirt Collector Support Housing Seal Set                                                 | 2                  |
| 30         |                  | 30BE00      | Differential Pressure Switch                                                                         |                    |
| 31         |                  | 31BE00      | Solenoid Valve, 24 Vac, 3-Way, N.O.                                                                  | 1                  |
| 32         |                  | G32AE00     | 1/4" Mini Filter with 1/8" Port                                                                      | 2                  |
| 33         |                  | G33AE00     | Pressure Gauge Enclosure                                                                             |                    |
| 34         |                  | G34AE00     | Pressure Gauge Enclosure Cover (optional)                                                            |                    |
| 35         |                  | EA35BS13    | Chamber Service Port Cover Bolt - 1/2" St/St                                                         |                    |
| 36         |                  | EA36BS00    | Dirt Collector Shaft Coupling                                                                        | 1                  |
| 37         |                  | G37AE00     | Pressure Gauge                                                                                       |                    |

|    |  |          |                                               |   |
|----|--|----------|-----------------------------------------------|---|
| 38 |  | EA38BS13 | Drive Shaft & Motor Support Cover - St/St     |   |
| 39 |  | EA39BS00 | Dirt Collector Rear Support Housing - O-Ring  | 1 |
| 40 |  | EA40BS00 | Linear Motion Shaft Cover - PVC               |   |
| 41 |  | EA41BS00 | O-Ring Seal/Retainer                          | 1 |
| 42 |  | EA42BS13 | Linear Motion Shaft Pin & O-Ring Set          | 1 |
| 43 |  | 43BE00   | Three Way Mini Valve                          |   |
| 44 |  | EA44BS13 | Linear Motion Shaft Cover Bolt - 1/4" - St/St |   |
| 45 |  | EA45BS13 | Linear Motion Shaft Cover Washer - 1/4" St/St |   |
| 46 |  | EA46BS13 | Linear Motion Shaft Bushing - St/St           | 1 |
|    |  |          |                                               |   |
| 47 |  | EA47BS13 | Linear Motion Shaft Bushing Cover - St/St     |   |
| 48 |  | EA48BS13 | Linear Motion Shaft Drive Pin - St/St         | 1 |
| 49 |  | EA49BS00 | Linear Motion Shaft Bushing Cover O-Ring      |   |
| 50 |  | EA50BS13 | Linear Motion Shaft Bushing Screws - St/St    |   |
| 51 |  | EA51BS00 | Drive Shaft Slotted Drive Bushing             | 1 |
| 52 |  | EA52BS13 | Nozzle Stem - St/St                           |   |
| 53 |  | EA53BS00 | Nozzle Stop O-Ring                            |   |
| 54 |  | EA54BS00 | Nozzle Retaining Clip                         |   |
| 55 |  | EA55BS00 | Nozzle Stem Bushing                           |   |
| 56 |  | EA56BS00 | Nozzle Base & Clamp Assembly with hardware    |   |
| 57 |  | EA57BS13 | Front Cover Stud - 1/2" - St/St               |   |
| 58 |  | EA58BS13 | Front Cover Long Stud - 1/2" - St/St          |   |
| 59 |  | EA59BS00 | Front Cover Bushing                           |   |
| 60 |  | EA60BS00 | Front Cover Tubing Seal Fitting               |   |
|    |  | EA79BS00 | Single Use Silicone Grease Tube               | 1 |
|    |  | EA80BS00 | Aluminum Complex Grease - small tube          | 1 |
|    |  | EA81BS00 | Thread Locking Compound                       |   |
| 82 |  | EA82BS13 | Drive Motor Extension shaft Drive Key - St/St |   |
| 83 |  | EA83BS00 | Motor Centering Bushing                       |   |
| 84 |  | EA84BS00 | Motor Cover                                   |   |
| 85 |  | EA85BS00 | 1" Pressure Relief Valve (optional)           |   |
| 86 |  | EA86BS00 | 8 mm Vent Tube - 5 foot                       |   |
|    |  | EA87BS00 | Tubing & Fitting Kit                          |   |
|    |  | EA88BS00 | 1" Plug                                       |   |

\* E - 50, F - 80, G - 100, H - 120, J - 150, K - 200, R - 300, L - 400, M - 800, N - 1000, P - 1500, Q - 3000.  
All screen sizes are in microns.

Fine screens below 50 microns are also available. Contact Rain Bird for current pricing.

| Identifier number in manual | Model ES-E-08-PS |             |                                                                                                      |                    |
|-----------------------------|------------------|-------------|------------------------------------------------------------------------------------------------------|--------------------|
|                             | Quantity Ordered | Part Number | Description                                                                                          | Recommended Spares |
| 2                           |                  | EA02DE00    | Front Cover                                                                                          |                    |
| 3                           |                  | EA03DE00    | Coarse Screen Assembly                                                                               |                    |
| 4                           |                  | EA4*DE17    | Fine Screen Assembly supplied with P/N EA17DE00, (2) BE18DE00, EA23DE00, EA24DE00 & EA25BS00         |                    |
| 5                           |                  | EA05DE13    | Dirt Collector Assembly supplied with P/N EA20BS00, EA52DE13, EA53BS00, EA54BS00, EA55BS00, EA56DE00 |                    |
| 6                           |                  | EA06DE00    | 2" Rinse Valve Assembly                                                                              |                    |
| 7                           |                  | EA07DE00    | Rear Cover & Motor Support                                                                           |                    |
| 8                           |                  | EA08DE13    | Dirt Collector Extension Shaft - St/St                                                               |                    |
| 9                           |                  | EA09DE12    | 1/4 Hp Geared Motor Assembly - 1ph, 120v, 60 Hz - R40                                                |                    |
| 9                           |                  | EA09DE23    | 1/4 Hp Geared Motor Assembly - 1ph, 230v, 50 Hz - R40                                                |                    |
| 10                          |                  | EA10BS00    | Chamber Service Port Cover                                                                           |                    |
| 11                          |                  | EA11BS00    | Chamber Service Port Cover Seal                                                                      | 1                  |
| 12                          |                  | 12GS00      | Cover Seal                                                                                           | 1                  |
| 13                          |                  | EA13DE13    | Rear Cover Hex Bolt - 3/4" St/St                                                                     |                    |
| 14                          |                  | 14GS13      | Cover Washer - 3/4" St/St                                                                            |                    |
| 15                          |                  | 15GS13      | Front Cover Hex Nut - 13/4" St/St                                                                    |                    |
| 16                          |                  | EA16DE00    | Dirt Collector Front Support Housing - Delrin                                                        | 1                  |
| 17                          |                  | EA17DE00    | Fine Screen Handle                                                                                   |                    |
| 18                          |                  | E18DE00     | Fine Screen Seal                                                                                     | 2                  |
| 19                          |                  | EA19BS00    | Linear Motion Shaft - Navel Brass                                                                    | 1                  |
| 20                          |                  | EA20BS00    | Adjustable Nozzle - Delrin                                                                           | 6                  |
| 21                          |                  | EA21BS13    | Drive Shaft - St/St                                                                                  | 1                  |
| 22                          |                  | EA22DE00    | Dirt Collector Rear Support Housing - Delrin                                                         |                    |
| 23                          |                  | EA23DE00    | Dirt Collector Screen Guide Disc - PVC                                                               |                    |
| 24                          |                  | EA24DE00    | Dirt Collector Screen Guide - Delrin                                                                 | 1                  |
| 25                          |                  | EA25BS00    | Dirt Collector Screen Guide O-Ring                                                                   |                    |
| 26                          |                  | EA26BS13    | Drive Motor Extension Shaft - St/St                                                                  |                    |
| 27                          |                  | EA27BS00    | Bottom Drain Valve                                                                                   |                    |
| 28                          |                  | EA28DE00    | Front & Rear Dirt Collector Support Housing O-Ring                                                   | 2                  |
| 29                          |                  | EA29DE00    | Front & Rear Dirt Collector Support Housing Seal Set                                                 | 2                  |
| 30                          |                  | 30BE00      | Differential Pressure Switch                                                                         |                    |
| 31                          |                  | 31BE00      | Solenoid Valve, 24 Vac, 3-Way, N.O.                                                                  | 1                  |
| 32                          |                  | G32AE00     | 1/4" Mini Filter with 1/8" Port                                                                      | 2                  |
| 33                          |                  | G33AE00     | Pressure Gauge Enclosure                                                                             |                    |
| 34                          |                  | G34AE00     | Pressure Gauge Enclosure Cover (optional)                                                            |                    |
| 35                          |                  | EA35BS13    | Chamber Service Port Cover Bolt - 1/2" St/St                                                         |                    |
| 36                          |                  | EA36DE00    | Dirt Collector Shaft Coupling                                                                        | 1                  |
| 37                          |                  | G37AE00     | Pressure Gauge                                                                                       |                    |
| 38                          |                  | EA38BS13    | Drive Shaft & Motor Support Cover - St/St                                                            |                    |

|    |  |          |                                               |   |
|----|--|----------|-----------------------------------------------|---|
| 39 |  | EA39BS00 | Dirt Collector Rear Support Housing - O-Ring  | 1 |
| 40 |  | EA40BS00 | Linear Motion Shaft Cover - PVC               |   |
| 41 |  | EA41BS00 | O-Ring Seal/Retainer                          | 1 |
| 42 |  | EA42BS13 | Linear Motion Shaft Pin & O-Ring Set          | 1 |
| 43 |  | 43BE00   | Three Way Mini Valve                          |   |
| 44 |  | EA44BS13 | Linear Motion Shaft Cover Bolt - 1/4" - St/St |   |
| 45 |  | EA45BS13 | Linear Motion Shaft Cover Washer - 1/4" St/St |   |
| 46 |  | EA46BS13 | Linear Motion Shaft Bushing - St/St           | 1 |
|    |  |          |                                               |   |
| 47 |  | EA47BS13 | Linear Motion Shaft Bushing Cover - St/St     |   |
| 48 |  | EA48BS13 | Linear Motion Shaft Drive Pin - St/St         | 1 |
| 49 |  | EA49BS00 | Linear Motion Shaft Bushing Cover O-Ring      |   |
| 50 |  | EA50BS13 | Linear Motion Shaft Bushing Screws - St/St    |   |
| 51 |  | EA51DE00 | Drive Shaft Slotted Drive Bushing             | 1 |
| 52 |  | EA52DE13 | Nozzle Stem - St/St                           |   |
| 53 |  | EA53BS00 | Nozzle Stop O-Ring                            |   |
| 54 |  | EA54BS00 | Nozzle Retaining Clip                         |   |
| 55 |  | EA55BS00 | Nozzle Stem Bushing                           |   |
| 56 |  | EA56DE00 | Nozzle Base & Clamp Assembly with hardware    |   |
| 57 |  | EA57DE13 | Front Cover Stud - 3/4" - St/St               |   |
| 58 |  | EA58DE13 | Front Cover Long Stud - 3/4" - St/St          |   |
| 59 |  | EA59BS00 | Front Cover Bushing                           |   |
| 60 |  | EA60BS00 | Front Cover Tubing Seal Fitting               |   |
|    |  | EA79BS00 | Single Use Silicone Grease Tube               | 1 |
|    |  | EA80BS00 | Aluminum Complex Grease - small tube          | 1 |
|    |  | EA81BS00 | Thread Locking Compound                       |   |
| 82 |  | EA82BS13 | Drive Motor Extension shaft Drive Key - St/St |   |
| 83 |  | EA83BS00 | Motor Centering Bushing                       |   |
| 84 |  | EA84BS00 | Motor Cover                                   |   |
| 85 |  | EA85DE00 | 2" Pressure Relief Valve (optional)           |   |
| 86 |  | EA86BS00 | 8 mm Vent Tube - 5 foot                       |   |
|    |  | EA87BS00 | Tubing & Fitting Kit                          |   |
|    |  | EA88DE00 | 2" Plug                                       |   |

\* E - 50, F - 80, G - 100, H - 120, J - 150, K - 200, R - 300, L - 400, M - 800, N - 1000, P - 1500, Q - 3000.  
All screen sizes are in microns.

Fine screens below 50 microns are also available. Contact Rain Bird for current pricing.



| Identifier<br>number<br>in<br>manual | Model ES-E-10-PS    |                |                                                                                                         |                       |
|--------------------------------------|---------------------|----------------|---------------------------------------------------------------------------------------------------------|-----------------------|
|                                      | Quantity<br>Ordered | Part<br>Number | Description                                                                                             | Recommended<br>Spares |
| 2                                    |                     | EA02DE00       | Front Cover                                                                                             |                       |
| 3                                    |                     | EA03DE00       | Coarse Screen Assembly                                                                                  |                       |
| 4                                    |                     | EA4*DE17       | Fine Screen Assembly supplied with P/N EA17DE00,<br>(2) BE18DE00, EA23DE00, EA24DE00 & EA25BS00         |                       |
| 5                                    |                     | EA05DE13       | Dirt Collector Assembly supplied with P/N EA20BS00,<br>EA52DE13, EA53BS00, EA54BS00, EA55BS00, EA56DE00 |                       |
| 6                                    |                     | EA06DE00       | 2" Rinse Valve Assembly                                                                                 |                       |
| 7                                    |                     | EA07DE00       | Rear Cover & Motor Support                                                                              |                       |
| 8                                    |                     | EA08DE13       | Dirt Collector Extension Shaft - St/St                                                                  |                       |
| 9                                    |                     | EA09DE12       | 1/4 Hp Geared Motor Assembly - 1ph,120v, 60 Hz - R40                                                    |                       |
| 9                                    |                     | EA09DE23       | 1/4 Hp Geared Motor Assembly - 1ph, 230v, 50 Hz - R40                                                   |                       |
| 10                                   |                     | EA10BS00       | Chamber Service Port Cover                                                                              |                       |
| 11                                   |                     | EA11BS00       | Chamber Service Port Cover Seal                                                                         | 1                     |
| 12                                   |                     | 12GS00         | Cover Seal                                                                                              | 1                     |
| 13                                   |                     | EA13DE13       | Rear Cover Hex Bolt - 3/4" St/St                                                                        |                       |
| 14                                   |                     | 14GS13         | Cover Washer - 3/4" St/St                                                                               |                       |
| 15                                   |                     | 15GS13         | Front Cover Hex Nut - 13/4" St/St                                                                       |                       |
| 16                                   |                     | EA16DE00       | Dirt Collector Front Support Housing - Delrin                                                           | 1                     |
| 17                                   |                     | EA17DE00       | Fine Screen Handle                                                                                      |                       |
| 18                                   |                     | E18DE00        | Fine Screen Seal                                                                                        | 2                     |
| 19                                   |                     | EA19BS00       | Linear Motion Shaft - Navel Brass                                                                       | 1                     |
| 20                                   |                     | EA20BS00       | Adjustable Nozzle - Delrin                                                                              | 6                     |
| 21                                   |                     | EA21BS13       | Drive Shaft - St/St                                                                                     | 1                     |
| 22                                   |                     | EA22DE00       | Dirt Collector Rear Support Housing - Delrin                                                            |                       |
| 23                                   |                     | EA23DE00       | Dirt Collector Screen Guide Disc - PVC                                                                  |                       |
| 24                                   |                     | EA24DE00       | Dirt Collector Screen Guide - Delrin                                                                    | 1                     |
| 25                                   |                     | EA25BS00       | Dirt Collector Screen Guide O-Ring                                                                      |                       |
| 26                                   |                     | EA26BS13       | Drive Motor Extension Shaft - St/St                                                                     |                       |
| 27                                   |                     | EA27BS00       | Bottom Drain Valve                                                                                      |                       |
| 28                                   |                     | EA28DE00       | Front & Rear Dirt Collector Support Housing O-Ring                                                      | 2                     |
| 29                                   |                     | EA29DE00       | Front & Rear Dirt Collector Support Housing Seal Set                                                    | 2                     |
| 30                                   |                     | 30BE00         | Differential Pressure Switch                                                                            |                       |
| 31                                   |                     | 31BE00         | Solenoid Valve, 24 Vac, 3-Way, N.O.                                                                     | 1                     |
| 32                                   |                     | G32AE00        | 1/4" Mini Filter with 1/8" Port                                                                         | 2                     |
| 33                                   |                     | G33AE00        | Pressure Gauge Enclosure                                                                                |                       |
| 34                                   |                     | G34AE00        | Pressure Gauge Enclosure Cover (optional)                                                               |                       |
| 35                                   |                     | EA35BS13       | Chamber Service Port Cover Bolt - 1/2" St/St                                                            |                       |
| 36                                   |                     | EA36DE00       | Dirt Collector Shaft Coupling                                                                           | 1                     |

|    |  |          |                                               |   |
|----|--|----------|-----------------------------------------------|---|
| 37 |  | G37AE00  | Pressure Gauge                                |   |
| 38 |  | EA38BS13 | Drive Shaft & Motor Support Cover - St/St     |   |
| 39 |  | EA39BS00 | Dirt Collector Rear Support Housing - O-Ring  | 1 |
| 40 |  | EA40BS00 | Linear Motion Shaft Cover - PVC               |   |
| 41 |  | EA41BS00 | O-Ring Seal/Retainer                          | 1 |
| 42 |  | EA42BS13 | Linear Motion Shaft Pin & O-Ring Set          | 1 |
| 43 |  | 43BE00   | Three Way Mini Valve                          |   |
| 44 |  | EA44BS13 | Linear Motion Shaft Cover Bolt - 1/4" - St/St |   |
| 45 |  | EA45BS13 | Linear Motion Shaft Cover Washer - 1/4" St/St |   |
| 46 |  | EA46BS13 | Linear Motion Shaft Bushing - St/St           | 1 |
| 47 |  | EA47BS13 | Linear Motion Shaft Bushing Cover - St/St     |   |
| 48 |  | EA48BS13 | Linear Motion Shaft Drive Pin - St/St         | 1 |
| 49 |  | EA49BS00 | Linear Motion Shaft Bushing Cover O-Ring      |   |
| 50 |  | EA50BS13 | Linear Motion Shaft Bushing Screws - St/St    |   |
| 51 |  | EA51DE00 | Drive Shaft Slotted Drive Bushing             | 1 |
| 52 |  | EA52DE13 | Nozzle Stem - St/St                           |   |
| 53 |  | EA53BS00 | Nozzle Stop O-Ring                            |   |
| 54 |  | EA54BS00 | Nozzle Retaining Clip                         |   |
| 55 |  | EA55BS00 | Nozzle Stem Bushing                           |   |
| 56 |  | EA56DE00 | Nozzle Base & Clamp Assembly with hardware    |   |
| 57 |  | EA57DE13 | Front Cover Stud - 3/4" - St/St               |   |
| 58 |  | EA58DE13 | Front Cover Long Stud - 3/4" - St/St          |   |
| 59 |  | EA59BS00 | Front Cover Bushing                           |   |
| 60 |  | EA60BS00 | Front Cover Tubing Seal Fitting               |   |
|    |  | EA79BS00 | Single Use Silicone Grease Tube               | 1 |
|    |  | EA80BS00 | Aluminum Complex Grease - small tube          | 1 |
|    |  | EA81BS00 | Thread Locking Compound                       |   |
| 82 |  | EA82BS13 | Drive Motor Extension shaft Drive Key - St/St |   |
| 83 |  | EA83BS00 | Motor Centering Bushing                       |   |
| 84 |  | EA84BS00 | Motor Cover                                   |   |
| 85 |  | EA85DE00 | 2" Pressure Relief Valve (optional)           |   |
| 86 |  | EA86BS00 | 8 mm Vent Tube - 5 foot                       |   |
|    |  | EA87BS00 | Tubing & Fitting Kit                          |   |
|    |  | EA88DE00 | 2" Plug                                       |   |

\* E - 50, F - 80, G - 100, H - 120, J - 150, K - 200, R - 300, L - 400, M - 800, N - 1000, P - 1500, Q - 3000.

All screen sizes are in microns.

Fine screens below 50 microns are also available. Contact Rain Bird for current pricing.

| Identifier number in manual | Model ES-E-12-PS |             |                                                                                                      |                    |
|-----------------------------|------------------|-------------|------------------------------------------------------------------------------------------------------|--------------------|
|                             | Quantity Ordered | Part Number | Description                                                                                          | Recommended Spares |
|                             |                  |             |                                                                                                      |                    |
| 2                           |                  | EA02DE00    | Front Cover                                                                                          |                    |
| 3                           |                  | EA03FE00    | Coarse Screen Assembly                                                                               |                    |
| 4                           |                  | EA4*FE17    | Fine Screen Assembly supplied with P/N EA17DE00, (2) BE18DE00, EA23DE00, EA24DE00 & EA25BS00         |                    |
| 5                           |                  | EA05FE13    | Dirt Collector Assembly supplied with P/N EA20BS00, EA52DE13, EA53BS00, EA54BS00, EA55BS00, EA56DE00 |                    |
| 6                           |                  | EA06DE00    | 2" Rinse Valve Assembly                                                                              |                    |
| 7                           |                  | EA07DE00    | Rear Cover & Motor Support                                                                           |                    |
| 8                           |                  | EA08DE13    | Dirt Collector Extension Shaft - St/St                                                               |                    |
| 9                           |                  | EA09DE12    | 1/4 Hp Geared Motor Assembly - 1ph, 120v, 60 Hz - R40                                                |                    |
| 9                           |                  | EA09DE23    | 1/4 Hp Geared Motor Assembly - 1ph, 230v, 50 Hz - R40                                                |                    |
| 10                          |                  | EA10BS00    | Chamber Service Port Cover                                                                           |                    |
| 11                          |                  | EA11BS00    | Chamber Service Port Cover Seal                                                                      | 1                  |
| 12                          |                  | 12GS00      | Cover Seal                                                                                           | 1                  |
| 13                          |                  | EA13DE13    | Rear Cover Hex Bolt - 3/4" St/St                                                                     |                    |
| 14                          |                  | 14GS13      | Cover Washer - 3/4" St/St                                                                            |                    |
| 15                          |                  | 15GS13      | Front Cover Hex Nut - 13/4" St/St                                                                    |                    |
| 16                          |                  | EA16DE00    | Dirt Collector Front Support Housing - Delrin                                                        | 1                  |
| 17                          |                  | EA17DE00    | Fine Screen Handle                                                                                   |                    |
| 18                          |                  | E18DE00     | Fine Screen Seal                                                                                     | 2                  |
| 19                          |                  | EA19BS00    | Linear Motion Shaft - Navel Brass                                                                    | 1                  |
| 20                          |                  | EA20BS00    | Adjustable Nozzle - Delrin                                                                           | 6                  |
| 21                          |                  | EA21BS13    | Drive Shaft - St/St                                                                                  | 1                  |
| 22                          |                  | EA22DE00    | Dirt Collector Rear Support Housing - Delrin                                                         |                    |
| 23                          |                  | EA23DE00    | Dirt Collector Screen Guide Disc - PVC                                                               |                    |
| 24                          |                  | EA24DE00    | Dirt Collector Screen Guide - Delrin                                                                 | 1                  |
| 25                          |                  | EA25BS00    | Dirt Collector Screen Guide O-Ring                                                                   |                    |
| 26                          |                  | EA26BS13    | Drive Motor Extension Shaft - St/St                                                                  |                    |
| 27                          |                  | EA27BS00    | Bottom Drain Valve                                                                                   |                    |
| 28                          |                  | EA28DE00    | Front & Rear Dirt Collector Support Housing O-Ring                                                   | 2                  |
| 29                          |                  | EA29DE00    | Front & Rear Dirt Collector Support Housing Seal Set                                                 | 2                  |
| 30                          |                  | 30BE00      | Differential Pressure Switch                                                                         |                    |
| 31                          |                  | 31BE00      | Solenoid Valve, 24 Vac, 3-Way, N.O.                                                                  | 1                  |
| 32                          |                  | G32AE00     | 1/4" Mini Filter with 1/8" Port                                                                      | 2                  |
| 33                          |                  | G33AE00     | Pressure Gauge Enclosure                                                                             |                    |
| 34                          |                  | G34AE00     | Pressure Gauge Enclosure Cover (optional)                                                            |                    |
| 35                          |                  | EA35BS13    | Chamber Service Port Cover Bolt - 1/2" St/St                                                         |                    |
| 36                          |                  | EA36DE00    | Dirt Collector Shaft Coupling                                                                        | 1                  |
| 37                          |                  | G37AE00     | Pressure Gauge                                                                                       |                    |
| 38                          |                  | EA38BS13    | Drive Shaft & Motor Support Cover - St/St                                                            |                    |
| 39                          |                  | EA39BS00    | Dirt Collector Rear Support Housing - O-Ring                                                         | 1                  |
| 40                          |                  | EA40BS00    | Linear Motion Shaft Cover - PVC                                                                      |                    |
| 41                          |                  | EA41BS00    | O-Ring Seal/Retainer                                                                                 | 1                  |
| 42                          |                  | EA42BS13    | Linear Motion Shaft Pin & O-Ring Set                                                                 | 1                  |

|    |  |          |                                               |   |
|----|--|----------|-----------------------------------------------|---|
| 43 |  | 43BE00   | Three Way Mini Valve                          |   |
| 44 |  | EA44BS13 | Linear Motion Shaft Cover Bolt - 1/4" - St/St |   |
| 45 |  | EA45BS13 | Linear Motion Shaft Cover Washer - 1/4" St/St |   |
| 46 |  | EA46BS13 | Linear Motion Shaft Bushing - St/St           | 1 |
| 47 |  | EA47BS13 | Linear Motion Shaft Bushing Cover - St/St     |   |
| 48 |  | EA48BS13 | Linear Motion Shaft Drive Pin - St/St         | 1 |
| 49 |  | EA49BS00 | Linear Motion Shaft Bushing Cover O-Ring      |   |
| 50 |  | EA50BS13 | Linerar Motion Shaft Bushing Screws - St/St   |   |
| 51 |  | EA51DE00 | Drive Shaft Slotted Drive Bushing             | 1 |
| 52 |  | EA52DE13 | Nozzle Stem - St/St                           |   |
| 53 |  | EA53BS00 | Nozzle Stop O-Ring                            |   |
| 54 |  | EA54BS00 | Nozzle Retaining Clip                         |   |
| 55 |  | EA55BS00 | Nozzle Stem Bushing                           |   |
| 56 |  | EA56DE00 | Nozzle Base & Clamp Assembly with hardware    |   |
| 57 |  | EA57DE13 | Front Cover Stud - 3/4" - St/St               |   |
| 58 |  | EA58DE13 | Front Cover Long Stud - 3/4" - St/St          |   |
| 59 |  | EA59BS00 | Front Cover Bushing                           |   |
| 60 |  | EA60BS00 | Front Cover Tubing Seal Fitting               |   |
|    |  | EA79BS00 | Single Use Silicone Grease Tube               | 1 |
|    |  | EA80BS00 | Aluminum Complex Grease - small tube          | 1 |
|    |  | EA81BS00 | Thread Locking Compound                       |   |
| 82 |  | EA82BS13 | Drive Motor Extension shaft Drive Key - St/St |   |
| 83 |  | EA83BS00 | Motor Centering Bushing                       |   |
| 84 |  | EA84BS00 | Motor Cover                                   |   |
| 85 |  | EA85DE00 | 2" Pressure Relief Valve (optional)           |   |
| 86 |  | EA86BS00 | 8 mm Vent Tube - 5 foot                       |   |
|    |  | EA87BS00 | Tubing & Fitting Kit                          |   |
|    |  | EA88DE00 | 2" Plug                                       |   |

\* E - 50, F - 80, G - 100, H - 120, J - 150, K - 200, R - 300, L - 400, M - 800, N - 1000, P - 1500, Q - 3000.  
All screen sizes are in microns.

Fine screens below 50 microns are also available. Contact Rain Bird for current pricing.