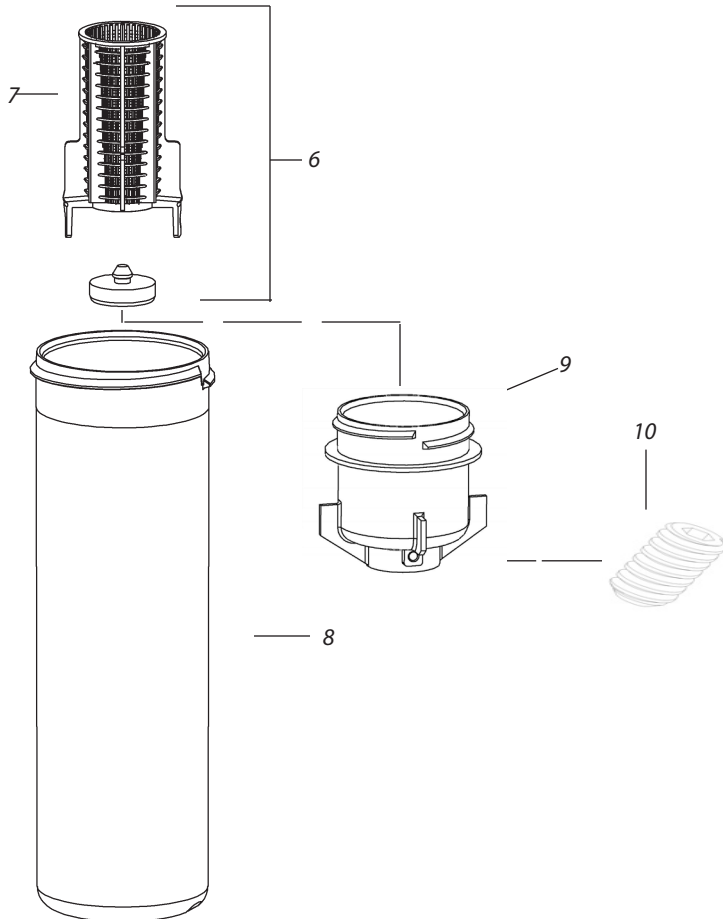


Ref.	Part Description	32SA	32SA Shrub
1	Break-Up Screw	(114210)	(114210)
2	Nozzle (3.0 GPM) (A)	(232226)	(232226)
3	Stem and Cover Assembly	(171150-50)	(171150-51)
4	Turret Cap	(232225)	(232225)
5	Retract Spring	(170973)	(170973)
6	Screen Assembly	-	-
7	Filter Screen	172770	172770
8	Case	(170970)	-
9	Case, Shrub	-	(172594)
10	Set Screw	-	(172487)

(A) Nozzle tree available: Y03500

Tree includes (1) .75, 1.0, 1.5, 2.0, 3.0, and 4.0 nozzle



Note: Part numbers enclosed in brackets ( ) are not available individually, but may be sold in assemblies or kits.