

Other Rain Bird Xerigation® products to use with Rain Bird's Control Zone Kits:

Landscape Dripline - the most clog-resistant, pressure compensating in-line emitter tubing in the world.

XBS - 1/2" UV resistant polyethylene distribution tubing.

DT 025 or PT 025 1/4" Distribution Tubing - extends emitter outlet to desirable discharge locations.

Easy Fit Compression Fittings - for 1/2" tubing.

PPC-200X - tubing cutter

XM-Tool - multi-function installation tool.



Xerigation
Control Zone Kits

XCZ-LF-100-PRF

Rain Bird Corporation

970 West Sierra Madre Avenue, Azusa, CA 91702
Phone: (626) 963-9311 Fax: (626) 812-3411, (626) 812-3608

Rain Bird Corporation

6991 E. Southpoint Rd., Bldg. 1, Tucson, AZ 85706
Phone: (520) 741-6500 Fax: (520) 741-6549

Rain Bird International, Inc.

145 North Grand Avenue, Glendora, CA 91740
Phone: (626) 852-7100 Fax: (626) 963-4287

Rain Bird Technical Services

(800) 247-3782 (U.S. only)

Specification Hotline

800-458-3005 (U.S. only)

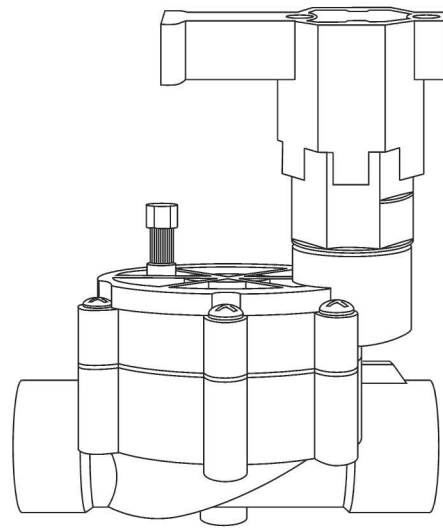
www.rainbird.com

The Intelligent Use of Water™ – Visit www.rainbird.com
to learn about our efforts.

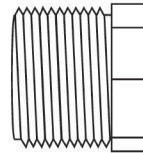
® Registered Trademark of Rain Bird Corporation
© 2004 Rain Bird Corporation 7/04

P/N 176018A

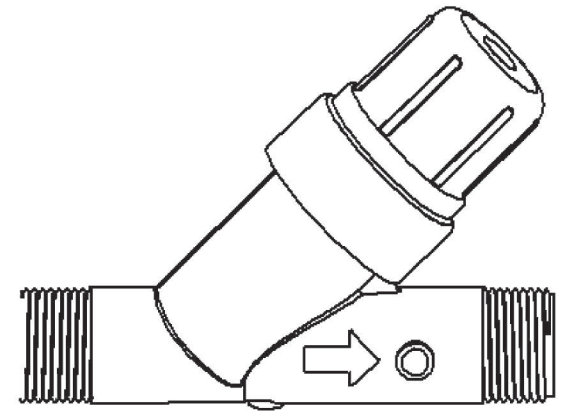




XCZ-LF-100 – 1" LOW FLOW VALVE



1" to 3/4" ADAPTER
(XCZ-LF-100 ONLY)



PRESSURE REGULATING FILTER
PRF-075-RBY

INSTRUCTIONS

1. Teflon™ tape (1½ to 2 turns) all male threads.
2. Assemble components in the above configuration, making sure that the water flow is in the correct direction.
3. Place Pressure Regulating filter at a slight upward angle to allow for flushing. If in a cold climate, place filter at a slight upward angle to assure proper drainage during winterization.

For Technical Assistance,
Call Toll Free
(800) 247-3782

Thank you for using our products.