



Low Flow Series Sprinklers World's Best Uniformity

*New
expanded
flow rates and
5-year extended
warranty*



UNIFORMITY ... Lower Operating Costs

Do you ever worry about your crop getting enough water? Some irrigation methods do not distribute water evenly and more often than not, you may find yourself over watering part of your field to ensure plants in dry areas get enough water. The LF Series Sprinkler has better distribution uniformity than any product on the market. That means that you can save on the water and costs associated with pumping to achieve the same, or better, results. What's more? The LF Series Sprinkler maintains consistent and fast rotation times to give you piece of mind.



DURABILITY ... Lower Maintenance Costs

Your sprinklers are installed in a tough environment. Rain Bird's innovative design and construction of the LF Series Sprinkler has created the most robust sprinkler in its class. That means less breakage, less maintenance, and less money out of your pocket.

"I was a little upset to find that a tree happened to fall on a sprinkler. When I pulled it from the wreckage, the overall structure appeared to be intact, so I put it back on the riser and ran it. To my amazement it worked and the sprinkler has remained a part of my grove."

Tom Rodgers, LF Sprinkler user



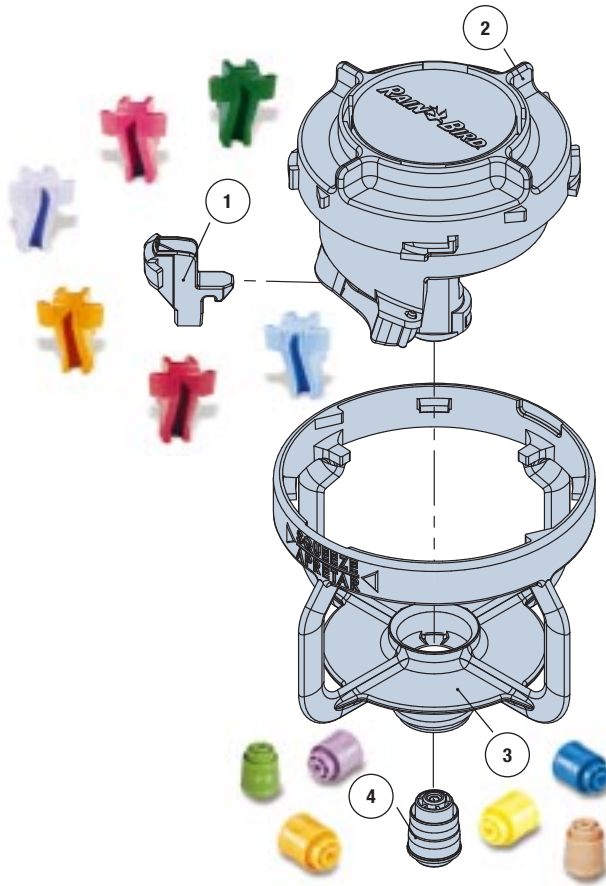
- Withstands temperature cycles from 8 degrees to 140 degrees F without affecting performance
- Resists damage from farm animals
- Weed Guard keeps plant material from growing into the sprinkler
- Withstands harsh agricultural environments

"I keep deer enclosed in my pasture and they usually destroy sprinklers. The LF sprinkler is a tough sprinkler - the deer haven't been able to damage it."

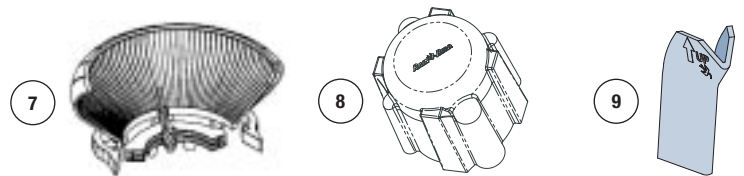
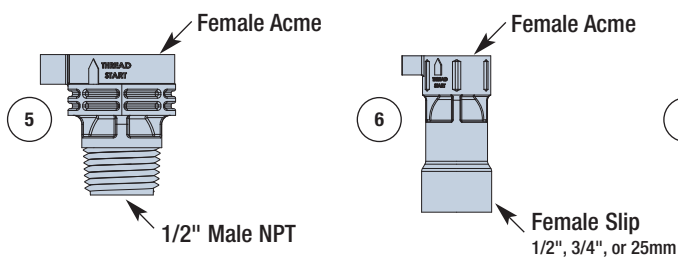
Glenn Bragg, LF Sprinkler user

EASY TO USE ... Saves Time

Don't waste unnecessary time on your irrigation equipment. The simple 4-piece integrated construction makes assembly, deflector changes and nozzle replacement a snap. See why the LF Series Sprinkler is raising the standards in the usability category.



- Current offering includes 10 nozzles ranging from 0.8 gpm to 3.9 gpm and 14 deflectors ranging from 6 degrees to 24 degrees.
- Nozzles and deflectors are color coded for easy identification.
- Snap in nozzles and deflectors have a reliable fit and are easy to remove & replace.
- No tools required for assembly or disassembly.
- Anti-Theft options are available to secure LF sprinkler units.
- Acme x NPT and ACME x slip adapters available for quick attach applications.
- Splash Guard allows users to change or clean nozzles without getting soaked.
- Edge Guard provides users the ability to keep water out of roads, walkways, or just the end of the field by redirecting water back into the desired area.
- Stream Splitter splits the water to avoid direct water streams into tree trunks, equipment, and general areas that do not need watering.



Simple 4-Piece Assembly

1	Deflector
2	LF Drive Unit (800, 1200 or 2400 models available)
3	LF Body (1/2" NPT, Acme, or Acme Anti-theft models available)
4	Nozzle

Optional Accessories

5	Acme x 1/2" Male NPT Adapter
6	Acme x Female Slip Adapter (available with 1/2" x 3/4" or 1/2" x 25mm for international applications)
7	Edge Guard
8	Splash Guard
9	Stream Splitter/Tree Trunk Guard

**Rain Bird is continuously developing new nozzles and deflectors.
Contact us for the latest releases.**

The Intelligent Use of Water™

At Rain Bird, we believe it is our responsibility to develop products and technologies that use water efficiently. Our commitment also extends to education, training and services for our industry and our communities.

The need to conserve water has never been greater. We want to do even more, and with your help, we can. Visit www.rainbird.com for more information about The Intelligent Use of Water.™



Rain Bird Corporation
Rain Bird Agri-Products
970 W. Sierra Madre Avenue
Azusa, CA 91702-1873
Phone: (800) HELLO-AG
Fax: (626) 812-3618

Rain Bird International, Inc.
145 North Grand Avenue
Glendora, CA 91741-2469
Phone: (626) 963-9311
Fax: (626) 963-4287