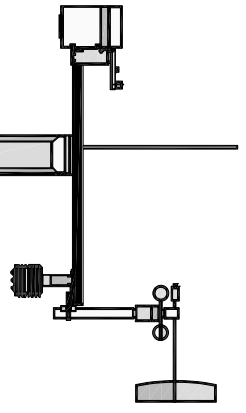
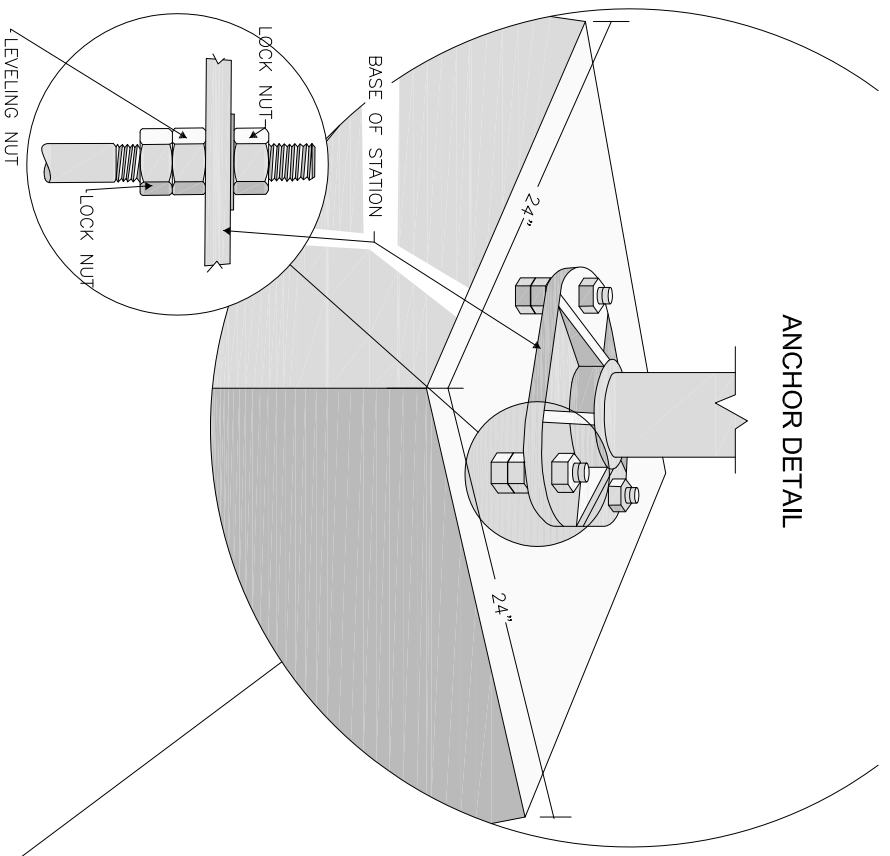
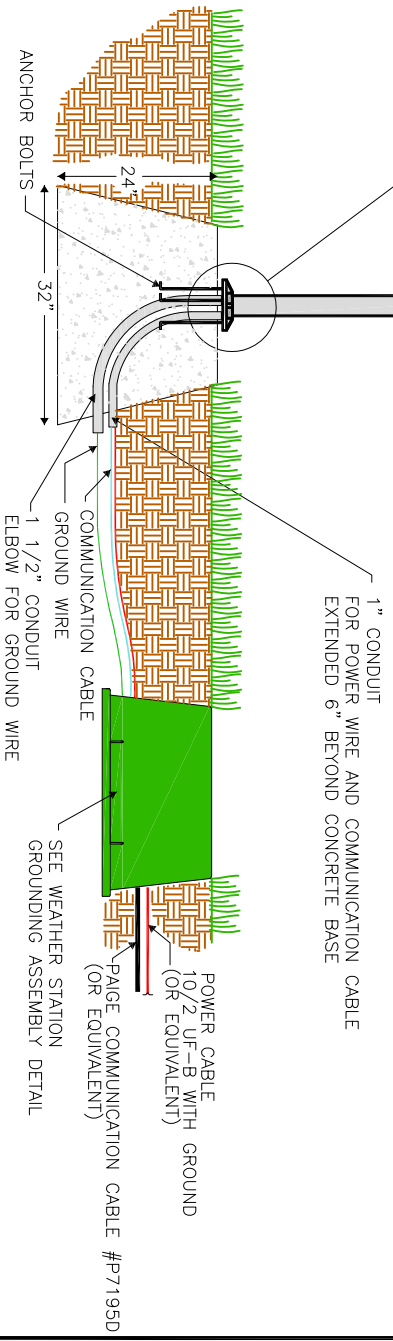


ANCHOR DETAIL



NOTES:

1. MAXIMUM DISTANCE FROM RAIN BIRD, 16 VOLT POWER SUPPLY TO WEATHER STATION SHALL BE 3250' (FT).
2. COMMUNICATION CABLE SHALL BE ROUTED TO CENTRAL COMPUTER.



1" CONDUIT FOR POWER WIRE AND COMMUNICATION CABLE EXTENDED 6" BEYOND CONCRETE BASE

**WEATHER STATION SWEEP AND BASE DETAIL
- HARD WIRED -**

NOT TO SCALE

