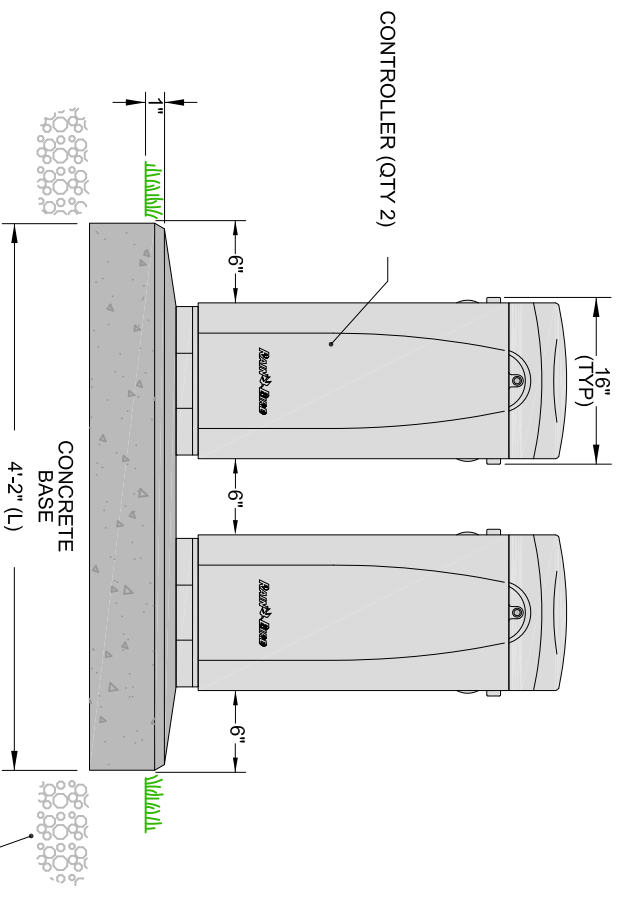


SIDE VIEW

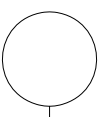


FRONT VIEW

GUIDELINES FOR BASE SIZE - MULTIPLE CONTROLLERS		CONCRETE BASE DIMENSIONS FOR MULTIPLE FIELD CONTROLLERS	
# OF CONTROLLERS	DIMENSIONS L X W	# OF CONTROLLERS	DIMENSIONS L X W
3	6'-0" X 2'-6 1/2"	3	6'-0" X 4'-6 1/2"
4	7'-10" X 2'-6 1/2"	4	7'-10" X 4'-6 1/2"
5	9'-8" X 2'-6 1/2"	5	9'-8" X 4'-6 1/2"
6	11'-6" X 2'-6 1/2"	6	11'-6" X 4'-6 1/2"

NOTE:
 CONTROLLER BASE SHOWS RECOMMENDED MINIMUM DIMENSIONS.
 BASE MAY BE EXTENDED 12" (IN) ON THE FRONT AND BACK.

TYPICAL FIELD CONTROLLER MOUNT ASSEMBLY
 - MULTIPLE CONTROLLERS -
 (PLASTIC PEDESTAL)



NOT TO SCALE

