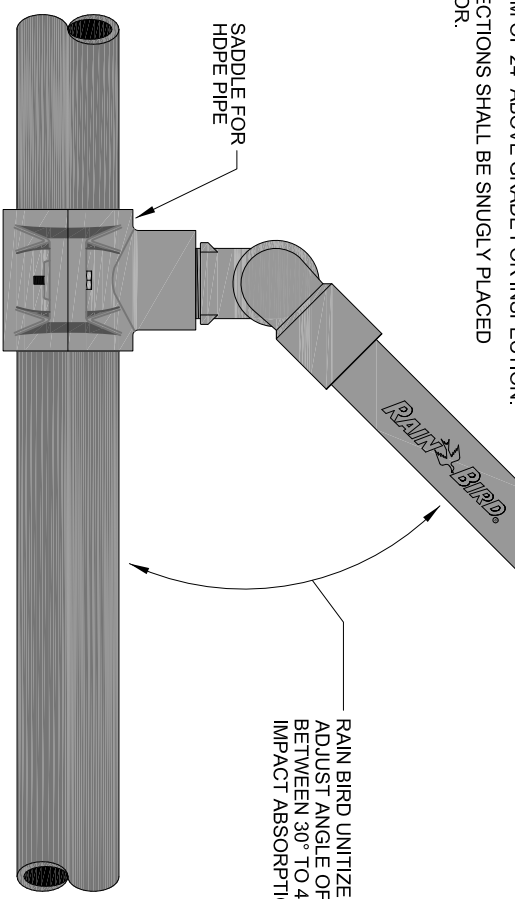


THREADED INLET SIZE: 1 1/2" - ACME
DO NOT USE TEFLON TAPE WITH ACME THREADS.
DO NOT USE PIPE DOPE.

RAIN BIRD UNITIZED SWING JOINT
ADJUST ANGLE OF SWING JOINT LAY ARM
BETWEEN 30° TO 45° TO ALLOW ADEQUATE
IMPACT ABSORPTION.



- NOTES:
1. AT ALL SPLICE LOCATIONS, PROVIDE SUFFICIENT SLACK TO ALLOW THE SPLICE TO BE RAISED A MINIMUM OF 24" ABOVE GRADE FOR INSPECTION.
 2. THE LOCATION OF THE WIRE CONNECTIONS SHALL BE SNUGLY PLACED BENEATH THE FLANGE OF THE ROTOR.

900/950 ROTOR ON TOP MOUNT SADDLE

NOT TO SCALE

