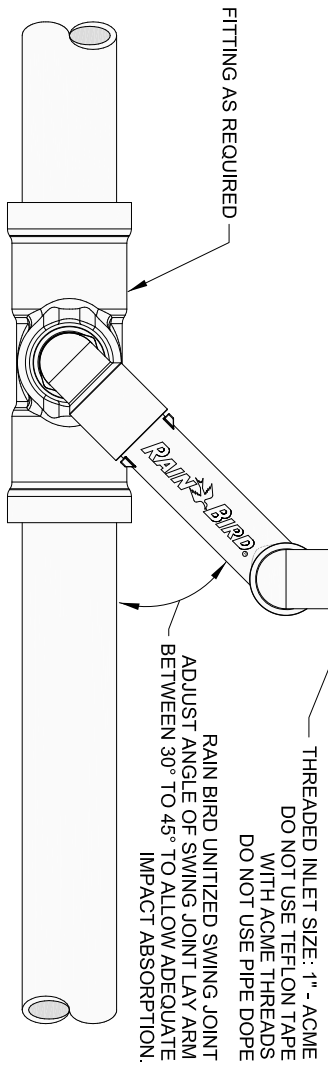


RAIN BIRD 351B ROTOR



FITTING AS REQUIRED

RAIN BIRD 351B

THREADED INLET SIZE: 1" - ACME
DO NOT USE TEFLON TAPE
WITH ACME THREADS
DO NOT USE PIPE DOPE

RAIN BIRD UNITIZED SWING JOINT

ADJUST ANGLE OF SWING JOINT LAY ARM
BETWEEN 30° TO 45° TO ALLOW ADEQUATE
IMPACT ABSORPTION.

RAIN BIRD 351B SERIES ROTOR

NOT TO SCALE

