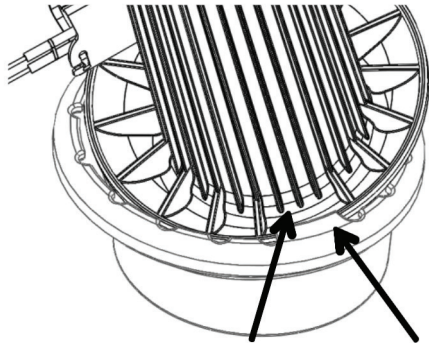
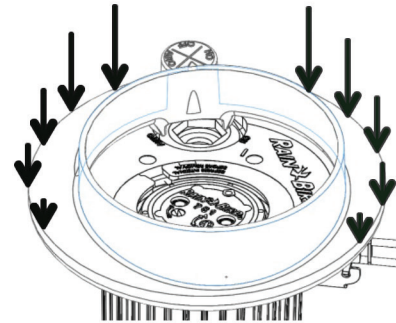


Golf Rotor Sod Cup Kit Installation Instructions

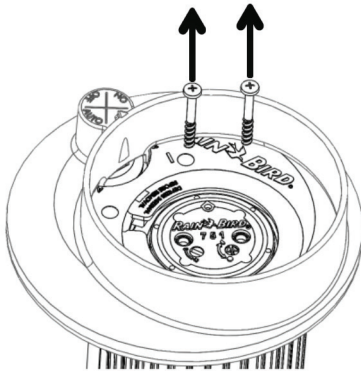
- 1 Align wide tab on flange cover with wide space on case.



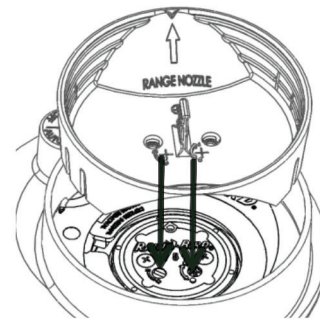
- 2 Press flange cover onto case flange working from wide tab towards valve switch, until flange cover snaps into place.



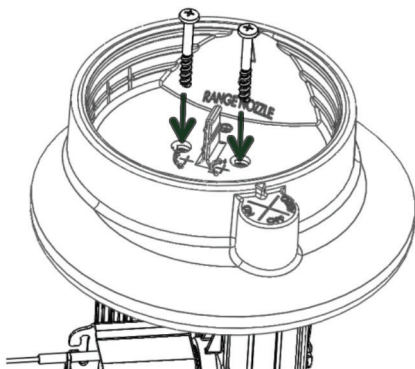
- 3 Using a Phillips head screw driver remove screws from top of rotor.



- 4 Align the adjustment ports on sod cup with the adjustment screws on rotor.

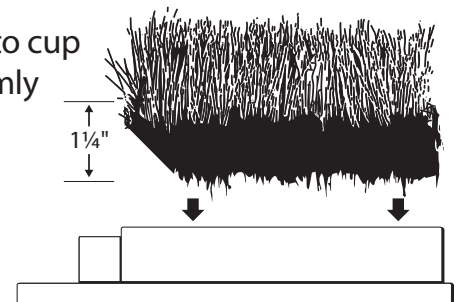


- 5 Place sod cup on top of rotor and secure with screws.



- 6 Using a standard golf hole cutter cut a sod plug. Trim plug to a sod depth of 1 1/4 inches. Trim plug to clear nozzle relief ramp. Place a small slice in the center of the plug to accept the pull up tab.

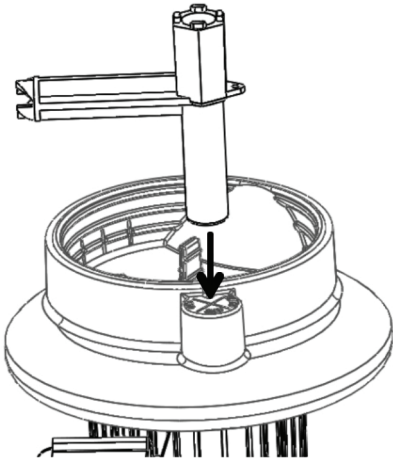
Install sod into cup and press firmly into place.



Golf Rotor Sod Cup Kit Rotor Adjustment

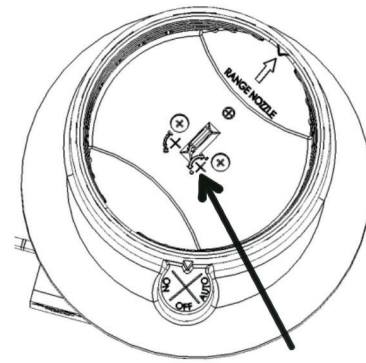
PRS / Valve Adjustment

- 1 Access OFF/ON/Auto and PRS adjustment through tooling tower.
- 2 Push tool through X shaped access port.



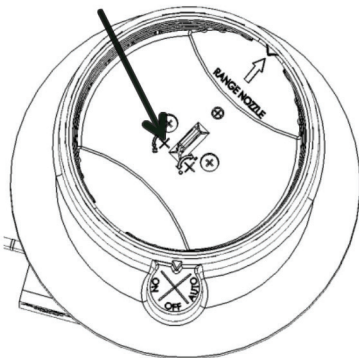
Full/Part Circle Adjustment

- 1 Remove sod plug from sod cup.
- 2 Using flat head screw driver, press through x shaped access port, and select full or part circle mode.
- 3 Replace sod plug.



Arc Adjustment

- 1 Remove sod plug from sod cup.
- 2 Using flat head screw driver, press through x shaped access port, adjust arc to desired angle.
- 3 Replace sod plug.



Nozzle Inspection

- 1 Remove sod plug from sod cup.
- 1 Use pull up tab to pull sprinkler head up to inspect nozzle.

