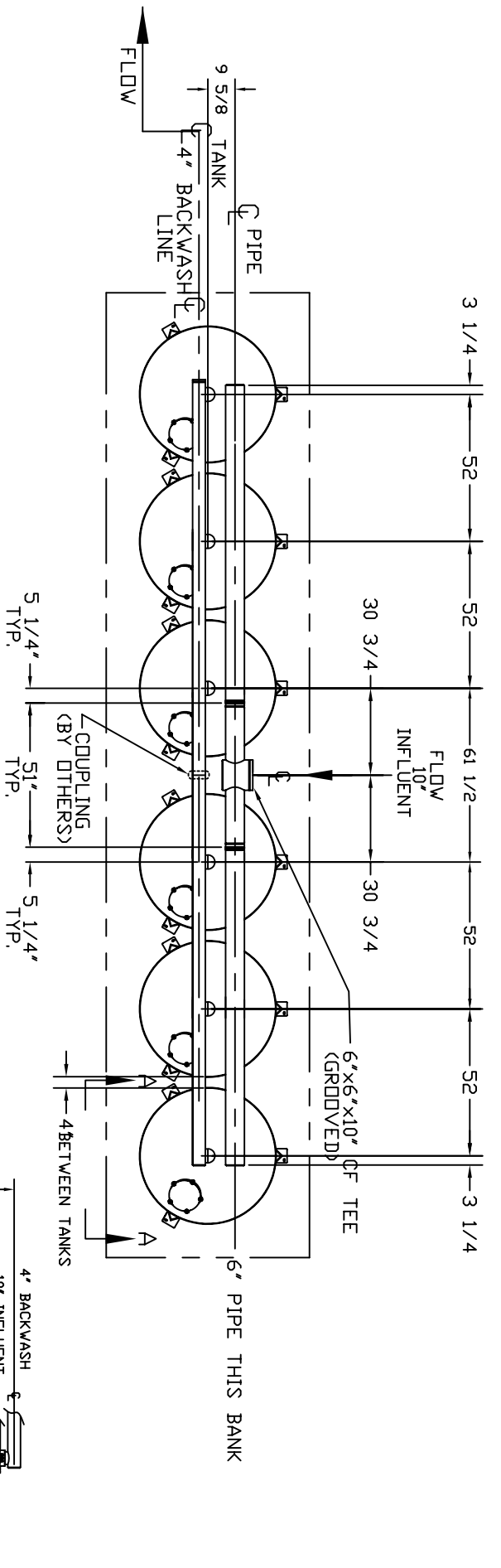
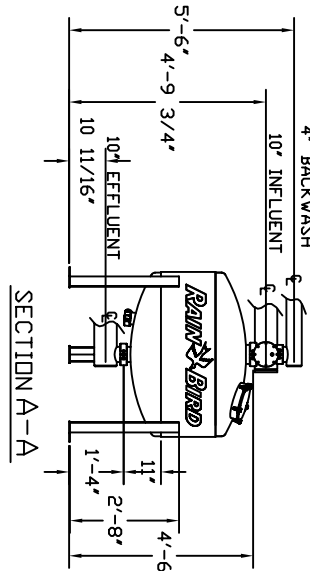
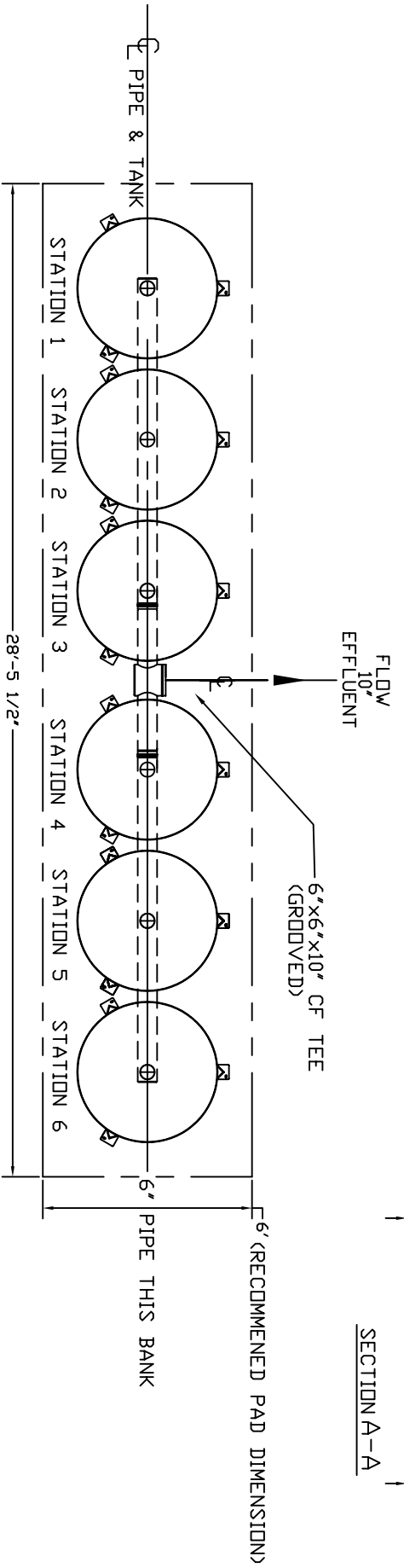


UPPER (INLET) MANIFOLD LAYOUT

4816-6-G LAYOUT



LOWER (OUTLET) MANIFOLD LAYOUT



PART NO.	MODEL	CARBOR STEEL SAND MEDIA FILTER	UNLESS OTHERWISE SPECIFIED	DATE	PROJ. NAME
PF01-09	SM4816-6-G	1275/1875 (GMP)	FRACTIONAL TOLERANCE	09/06/10	FILTER SYSTEMS
PF02-09	SM4816-61-G	W/ID COATING 1275/1875 (GMP)	DRILLED HOLE P		
PF03-09	SM4816-6B-G	W/ID & OD COATING 1275/1875 (GMP)	ANGULAR TOLERANCE		
THIS DRAWING REPRESENTS A CONCEPTUAL REPRESENTATION OF THE DESIGN. MANUFACTURING USE AND SALE RIGHTS RESERVING THE SAME ARE EXPRESSLY RESERVED. IT IS A SPECIFIC PURPOSE AND THE RECIPIENT AGREES BY ACCEPTING THIS DRAWING NOT TO SUPPLY OR DISCLOSE THIS DESIGN OR TO INCORPORATE IN OTHER PRODUCTS ANY SPECIAL FEATURE UNLESS IT IS EXPRESSLY RESERVED. RIGHTS HEREIN ARE EXPRESSLY RESERVED.			DID NOT SCALE DRAWING LAST MODIFIED BY: YVESBIAU DATE: 09/06/10 DVS: YVESBIAU	TITLE	DRAWING NUMBER
			X = 1/8" XX = 1/16" XXX = 1/32"	SAND MEDIA FILTERS	PF01-09 A
					PART NO. / REV.
					SHEET 1 OF 1

(RECOMMENDED PAD DIMENSION)

DD NOT SCALE DWG.