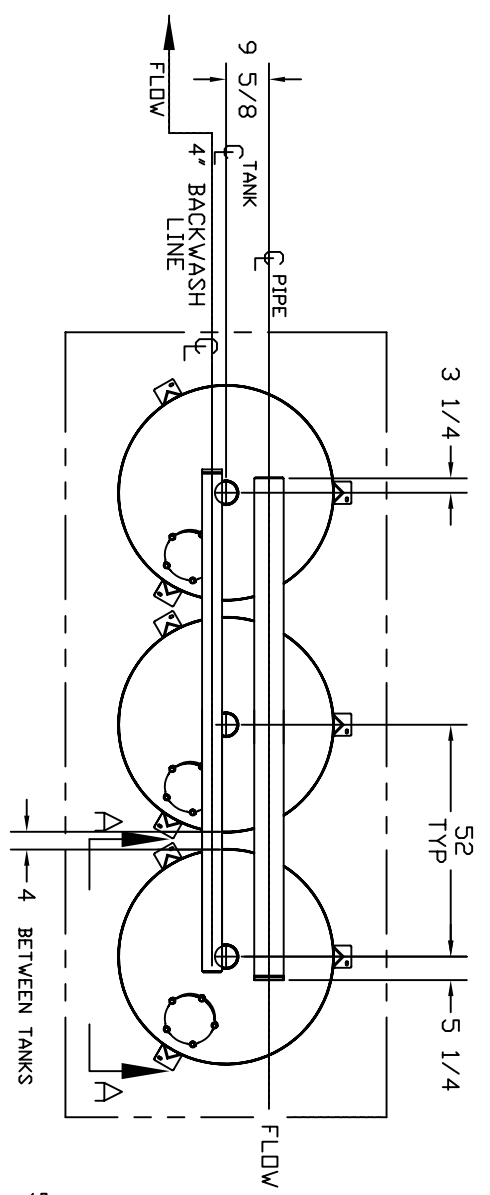
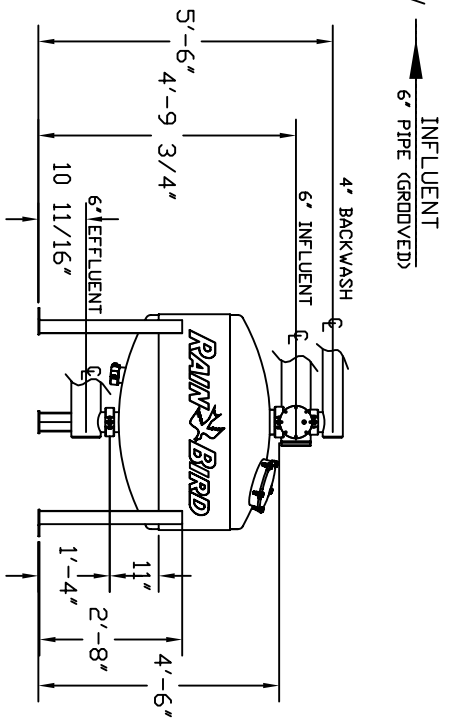


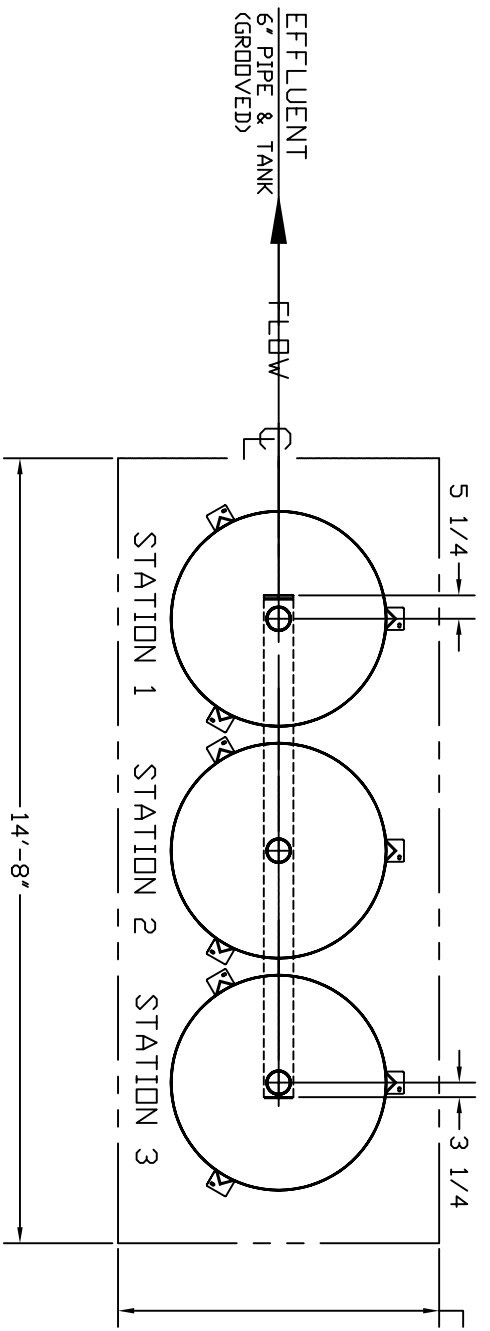
UPPER (INLET) MANIFOLD LAYOUT



4816-3-G LAYOUT



LOWER (OUTLET) MANIFOLD LAYOUT



PART NO.	MODEL	CARBON STEEL SAND MEDIA FILTER
PF01-06	SM4816-3-G	638/938 (GMP)
PF02-06	SM4816-31-G	W/ID COATING 638/938 (GMP)
PF03-06	SM4816-3B-G	W/ID & DD COATING 638/938 (GMP)

UNLESS OTHERWISE SPECIFIED, ALL DIMENSIONS ARE TO CENTER UNLESS INDICATED OTHERWISE. DIMENSIONS ARE TO CENTER UNLESS INDICATED OTHERWISE. DIMENSIONS ARE TO CENTER UNLESS INDICATED OTHERWISE.

UNLESS OTHERWISE SPECIFIED	DRAWN BY	DATE
FRACTIONAL TOLERANCE: ±1/8"	DESIGNED BY	DATE
HOLE: ±1/32"	SCALE	DATE
ANGULAR: ±2°	LAST MODIFIED BY	DATE
FINISH: X = 3.00, Y = 3.00, Z = 3.00	DATE	DATE

RAIN-BIRD SYSTEMS MFG. DIV.
 TUCSON, ARIZONA

PROJ. NAME: SAND MEDIA FILTERS

FILTER SYSTEMS: PF01-06 A

DRAWING NUMBER: PF01-06 A

PART NO. / REV.: PF01-06 A / SHEET 1 OF 1

DD NOT SCALE DWG.