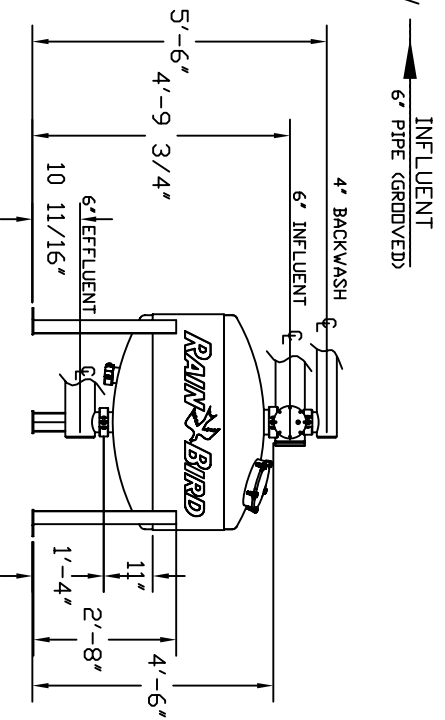
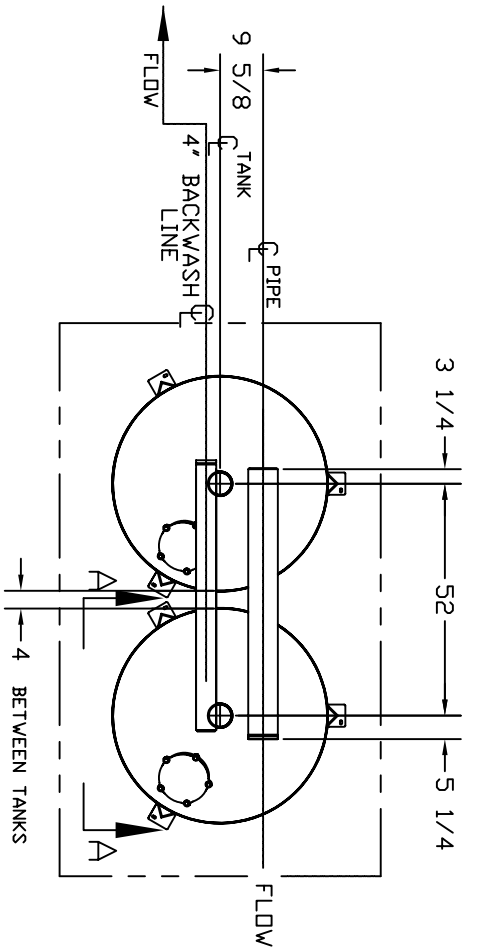
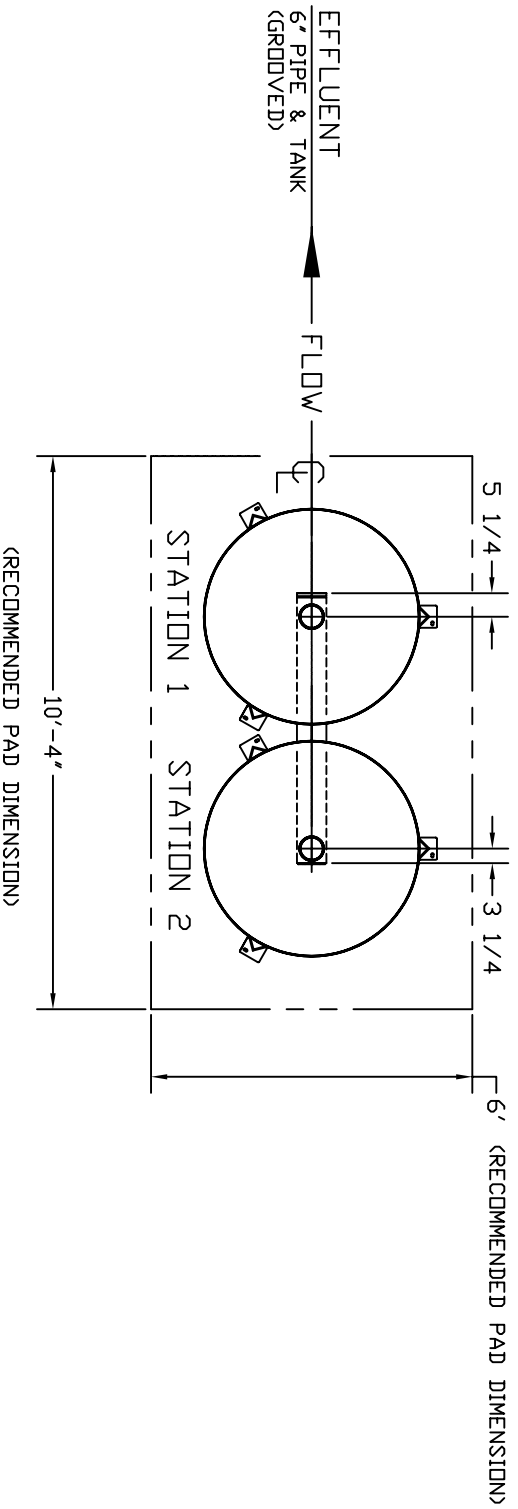


UPPER (INLET) MANIFOLD LAYOUT

4816-2-G LAYOUT



LOWER (OUTLET) MANIFOLD LAYOUT



DO NOT SCALE DWG.

PART NO.	MODEL	CARBOR STEEL SAND MEDIA FILTER	TITLE	DATE	SCALE	BY	CHKD	APP'D	REV
PF01-05	SM4816-2-G	425/625 (GMP)	DESIGN: DRAWING ENGINEER'S A COMPETITIVE, PROPRIETARY DESIGN. MANUFACTURED BY RAIN-BIRD CORPORATION. ALL RIGHTS RESERVED. THIS DRAWING IS THE PROPERTY OF RAIN-BIRD CORPORATION. IT IS TO BE USED ONLY FOR THE PROJECT AND SITE SPECIFICALLY IDENTIFIED HEREIN. ANY REUSE OR MODIFICATION OF THIS DRAWING WITHOUT THE WRITTEN PERMISSION OF RAIN-BIRD CORPORATION IS STRICTLY PROHIBITED. ANY INFORMATION REGARDING IT TO AN UNAUTHORIZED PERSON OR ENTITY IS CONFIDENTIAL AND IS TO BE KEPT STRICTLY CONFIDENTIAL. ANY INFORMATION RECEIVED BY YOU FROM AN UNAUTHORIZED PERSON OR ENTITY IS NOT TO BE DISCLOSED TO ANY OTHER PERSON OR ENTITY WITHOUT THE WRITTEN PERMISSION OF RAIN-BIRD CORPORATION. ALL PATENT RIGHTS ARE RESERVED.	02/26/10	1/8" = 1'-0"	SM	SM		
PF02-05	SM4816-21-G	W/ID COATING 425/625 (GMP)	DATE: 02/26/10	SCALE: 1/8" = 1'-0"	BY: SM	CHKD: SM	APP'D:		
PF03-05	SM4816-2B-G	W/ID & OD COATING 425/625 (GMP)	DATE: 02/26/10	SCALE: 1/8" = 1'-0"	BY: SM	CHKD: SM	APP'D:		
			TITLE	DATE	SCALE	BY	CHKD	APP'D	REV
			CARBON STEEL SAND MEDIA FILTERS	02/26/10	1/8" = 1'-0"	SM	SM		
			FILTER SYSTEMS						
			RAIN-BIRD SYSTEMS						
			PF01-05 A						
			SHEET 1 OF 1						