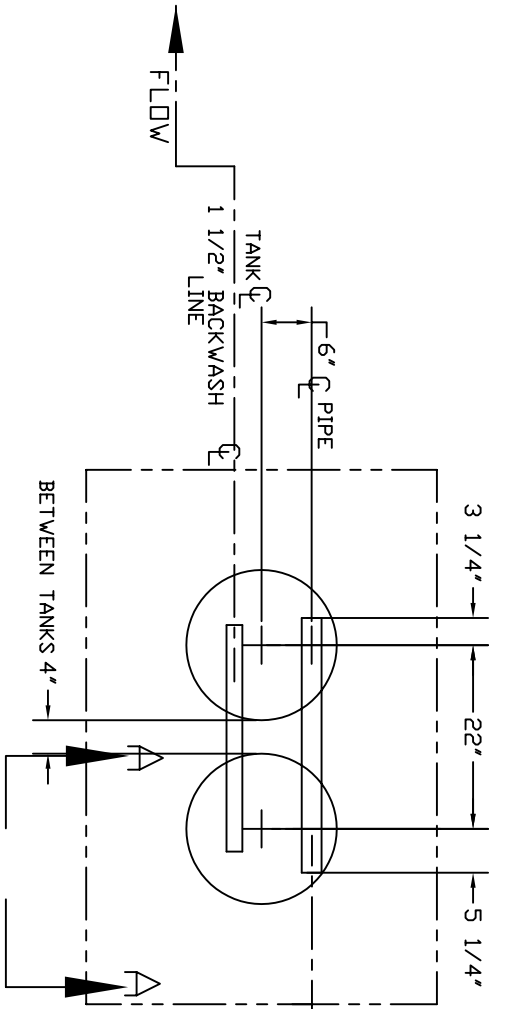
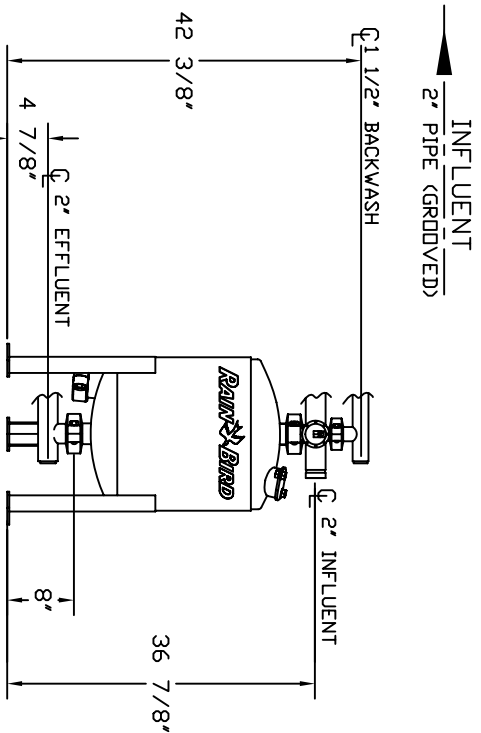


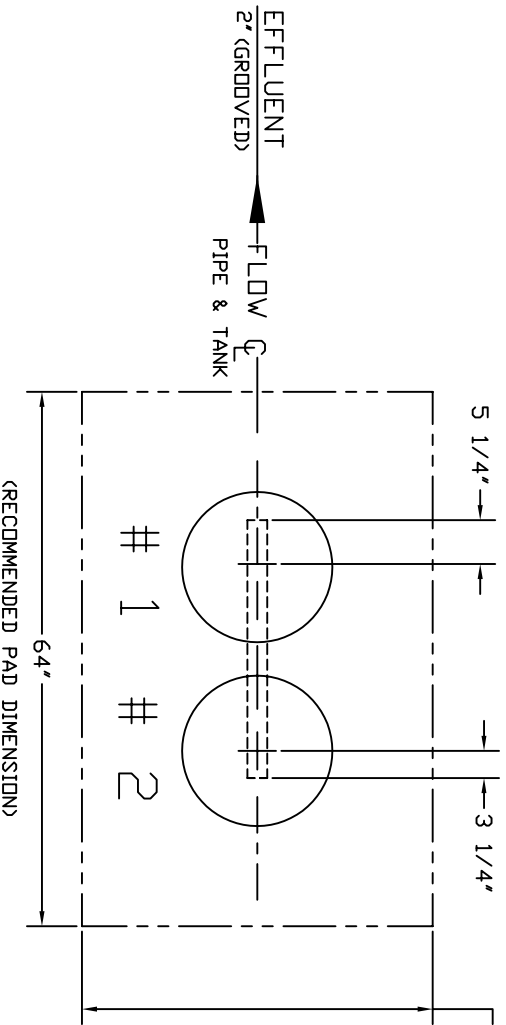
UPPER (INLET) MANIFOLD LAYOUT



1816-2-M LAYOUT



LOWER (OUTLET) MANIFOLD LAYOUT



SECTION A-A

DD NOT SCALE DWG.

PART NO.	MODEL	CARBON STEEL SAND MEDIA FILTER	UNIT PRICE	QUANTITY	TOTAL
CF01-01	SM1816-2-M	60/88 (GMP)	2 = 1/8"	2	2 = 1/8"
CF02-01	SM1816-2I-M	W/ID COATING 60/88 (GMP)	2 = 1/32"	2	2 = 1/32"
CF03-01	SM1816-2B-M	W/ID & OD COATING 60/88 (GMP)	4 = 2"	4	4 = 2"
<p>NOTES:</p> <p>THIS DRAWING EMPLOYS A CONVENTIONAL, PROPRIETARY DESIGN APPROVED BY RAIN BIRD CORPORATION. ALL DIMENSIONS ARE IN INCHES UNLESS OTHERWISE SPECIFIED. DIMENSIONS ARE GIVEN TO THE CENTERLINE UNLESS OTHERWISE SPECIFIED. DIMENSIONS ARE GIVEN TO THE CENTERLINE UNLESS OTHERWISE SPECIFIED. DIMENSIONS ARE GIVEN TO THE CENTERLINE UNLESS OTHERWISE SPECIFIED. DIMENSIONS ARE GIVEN TO THE CENTERLINE UNLESS OTHERWISE SPECIFIED.</p>			<p>DESIGNED BY: 07/20/11</p> <p>DATE: 07/20/11</p> <p>SCALE: 1/8" = 1'-0"</p> <p>TITLE: CARBON STEEL SAND MEDIA FILTERS</p> <p>PROJECT: SAND MEDIA FILTERS</p> <p>DRAWING NUMBER: CF01-01</p> <p>SHEET 1 OF 1</p>		