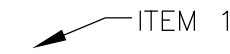


CHOOSING EQUIPMENT CALLOUT METHOD

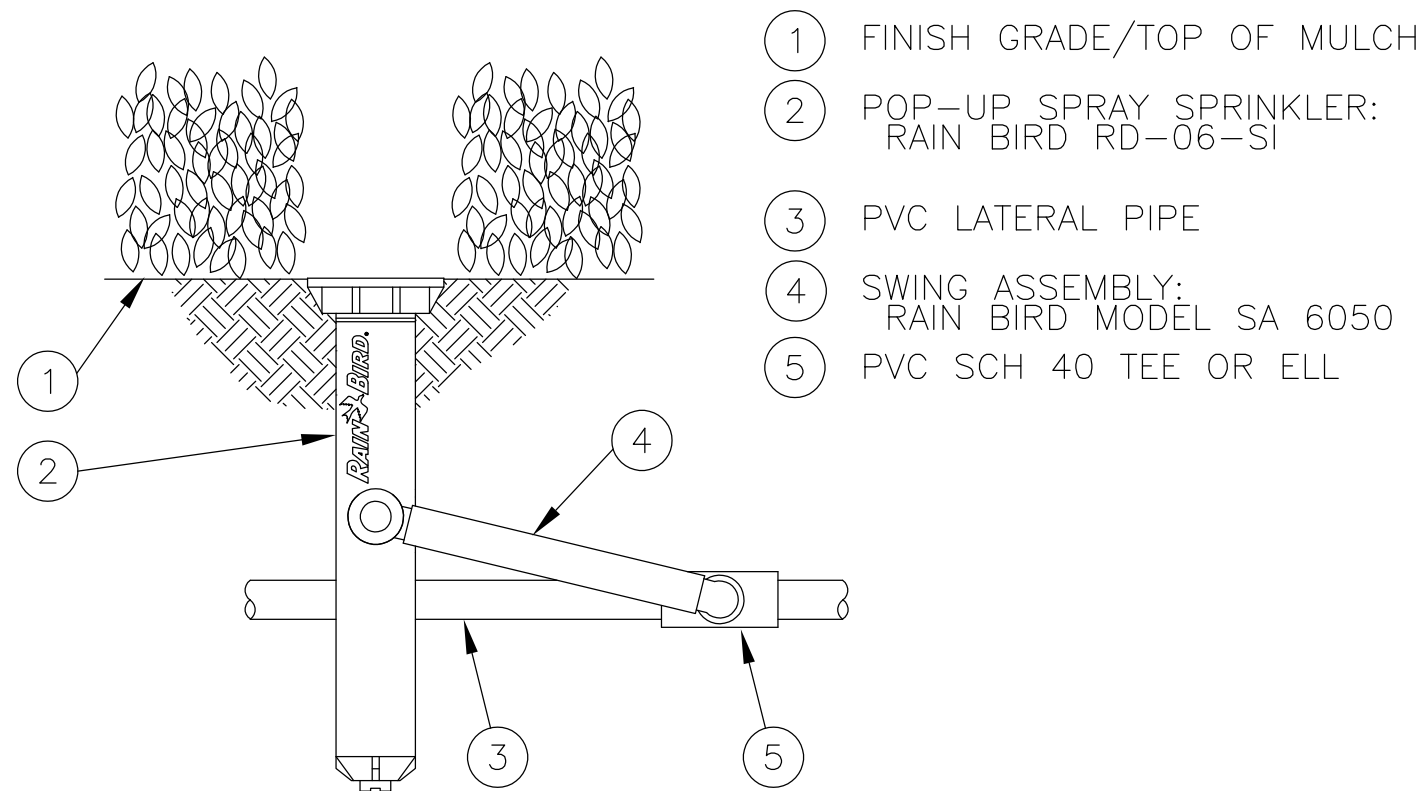
CHOOSE EITHER LEADERS OR BUBBLE CALLOUTS BY TURNING ON THE APPROPRIATE LAYER:

TEXT\_LEADERS

TEXT\_BUBBLES



TO TURN OFF THIS INSTRUCTION BOX, TURN OFF LAYER "INSTRUCT-CALLOUT".



- ① FINISH GRADE/TOP OF MULCH
- ② POP-UP SPRAY SPRINKLER:  
RAIN BIRD RD-06-SI
- ③ PVC LATERAL PIPE
- ④ SWING ASSEMBLY:  
RAIN BIRD MODEL SA 6050
- ⑤ PVC SCH 40 TEE OR ELL

CHOOSING NOZZLES AND OPTIONAL FEATURES

NOZZLES

- HE-VAN NOZZLE
- MPR NOZZLE
- ROTARY NOZZLE
- SQ NOZZLE
- U-SERIES NOZZLE
- VAN NOZZLE

LAYER\_NAME

- OPTION-NOZ-HEVAN
- OPTION-NOZ-MPR
- OPTION-NOZ-ROTARY
- OPTION-NOZ-SQ
- OPTION-NOZ-U-SERIES
- OPTION-NOZ-VAN

OPTION

- NON-POTABLE CAP
- PRS 30PSI WITH FLOW SHIELD
- PRS 30PSI WITH FLOW SHIELD NON-POTABLE CAP

LAYER\_NAME

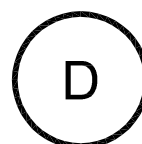
- OPTION-NP
- OPTION-PRS-F
- OPTION-PRS-F-NP

- CONTRACTOR ASSEMBLED SWING ASSEMBLY
- RAIN BIRD SWING ASSEMBLY

LAYER\_NAME

- OPTION-SA
- OPTION-RB-SA

NOTE:  
SIDE INLET CONNECTION SHOULD NOT BE USED IN FREEZING CLIMATES.



POP-UP SPRAY SPRINKLER

N.T.S.

RD-06 SIDE INLET WITH SWING PIPE

10-17-2011