



IMM-Series Manual Filter

Protect Valuable Equipment With Cost Effective Filtration For Any System

Rain Bird's line of IMM-Series Manual Filters offer a solution for those systems with big operating problems but small operating budgets. Available in 1" to 8" line sizes, the filters are capable of handling flows up to 1320 gpm. Constructed of carbon steel and coated with extra durable polyester, electrostatically applied (and oven cured) on a zinc phosphate layer, the filters are designed with durability in mind. The screen is available in sizes down to 72 micron/200 mesh, allowing the unit to be used in a variety of applications.

Benefits

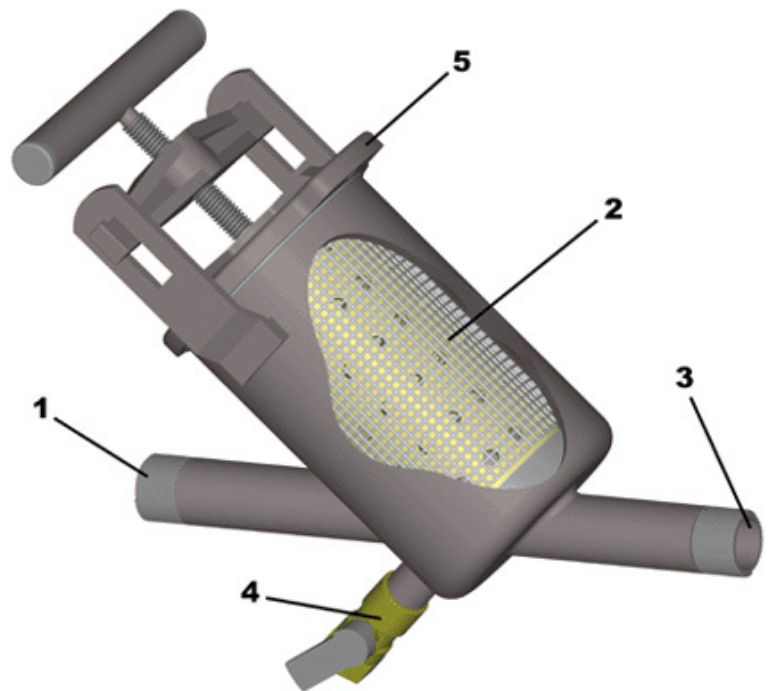
- Low Cost
- No Moving Parts
- Screens Down to 72 Micron

How It Works

Dirty water enters the inlet **(1)** and passes through the screen **(2)** to the outlet **(3)**. Unwanted particles accumulate on the outside surface of the screen.

A manual backwash cycle is activated by opening the rinse valve **(4)** to drain. A portion of the water travels back through the screen, dislodging the particles. At the same time, a flow is induced across the surface of the screen, carrying the particles to drain.

The screen can also be accessed for manual cleaning by removing the cover **(5)**.



Installation Guidelines

- Filter must be installed horizontally with body pointing upwards and drain valve pointing down.
- Filter must be installed in the proper flow direction as indicated by the arrows on the housing.
- For ease of maintenance, install filter with inlet and outlet isolation valves.
- Be sure to leave sufficient space around the filter for screen removal and maintenance.
- For best results, operation with a clean screen pressure drop of 4 psi or less is recommended.
- Maximum Working Pressure: 125 psig; Maximum Fluid Temperature: 140°F.

Maintenance Procedures

MANUAL FLUSHING

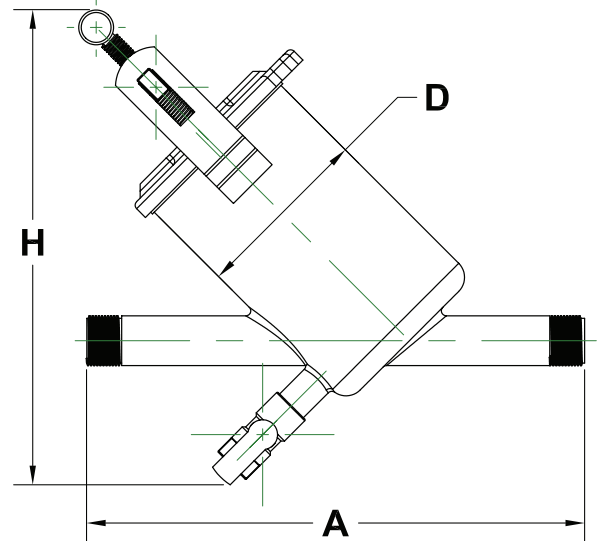
- To clean the filter, open the drain valve located at the bottom of the housing for 10-30 seconds.
- Close valve and check if the differential pressure has recovered. If not, repeat procedure.
- Perform flushing every two weeks or when differential reaches 15 psi.

PERIODIC CLEANING

- Close inlet and outlet isolation valves.
- Open drain valve to release pressure and drain filter.
- Open cover and gently remove filter screen.
- Rinse screen thoroughly with clean water. If necessary, use a soft bristle brush to dislodge particles from the screen. **CAUTION: A WIRE BRUSH WILL DAMAGE THE SCREEN.** If the bristle brush fails to remove the particulates, the screen can be immersed in a mild acid/alkaline solution for a short period of time. Rinse thoroughly prior to reinstallation.
- After cleaning, check to ensure that screen is intact.
- Ensure that inner seal is positioned with the notch adjacent to the drain valve.
- Replace screen in housing, ensuring that top of screen is level with the top of the housing.
- Replace cover gasket, cover and handle and tighten securely.

PERIODIC MAINTENANCE

- Yearly: Apply a layer of grease to the threads of the handle.
- As necessary: Repair damage to the protective coating of the housing promptly.

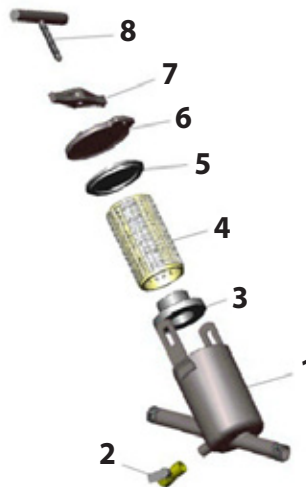


Available Models

Model No.	Pipe Size (in.)	Diameter (in.) "D"	Length (in.) "L"	Height (in.) "H"	Weight (lbs.)	Flow Rate (gpm)
IMM-010-I	1*	4	9-3/4	12-1/2	12	35
IMM-015-I	1-1/2*	4	13-1/4	14-1/2	15	65
IMM-020-I	2*	6	18-1/2	18	33	110
IMM-030-I	3**	6	22	20-1/2	60	175
IMM-040-I	4**	8	27	24-1/2	92	350
IMM-060-I	6**	12	35	27	159	660
IMM-080-I	8**	12	43	31	200	1320

* Threaded ** Flanged

NOTE: Multiple filters can be installed in parallel to handle higher flow rates.



Spare Parts

(Please specify model and item number when ordering)

Item	Description	Models
1	Housing	All
2	Drain Valve	All
3	Inner Seal	All
4	Screen	All
5	Cover Gasket	All
6	Cover	All
7	Cover Bracket	1" - 4"
8	Handle	1" - 4"
9 (not shown)	Inner Screen	2" - 4"
10 (not shown)	Centering Collar	6" - 8"

For Information on the Complete Line of Rain Bird Filters, Call Us Or Visit us at www.rainbird.com

Rain Bird Corporation

6991 E. Southpoint Road
Tucson, AZ 85756
Phone: (520) 741-6100
Fax: (520) 741-6522

Rain Bird Corporation

970 West Sierra Madre Avenue
Azusa, CA 91702

Rain Bird International, Inc.

1000 West Sierra Madre Ave.
Azusa, CA 91702

Rain Bird Technical Services

(800) RAINBIRD (1-800-724-6247)
(U.S. and Canada)

Specification Hotline

520-806-5620 (U.S. and Canada)

The Intelligent Use of Water™

www.rainbird.com