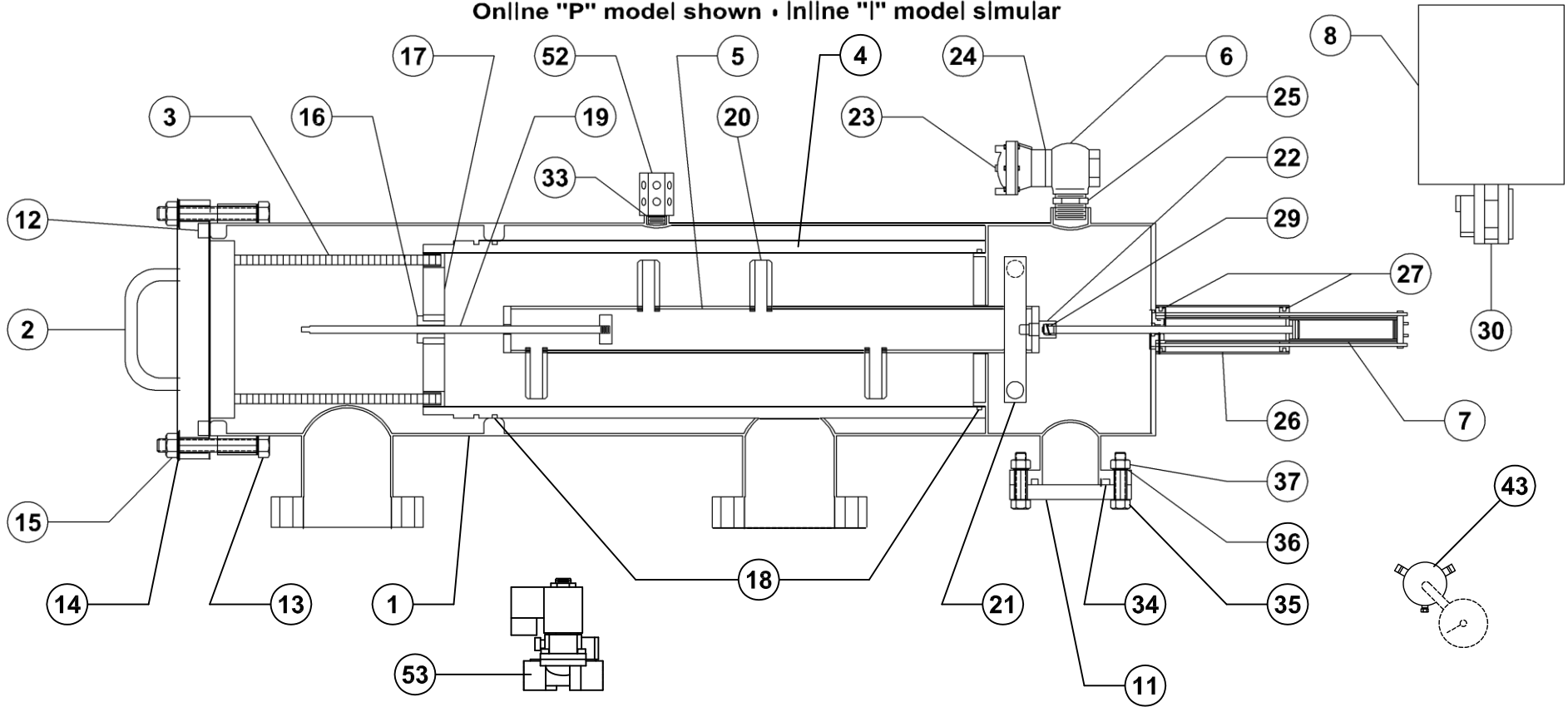


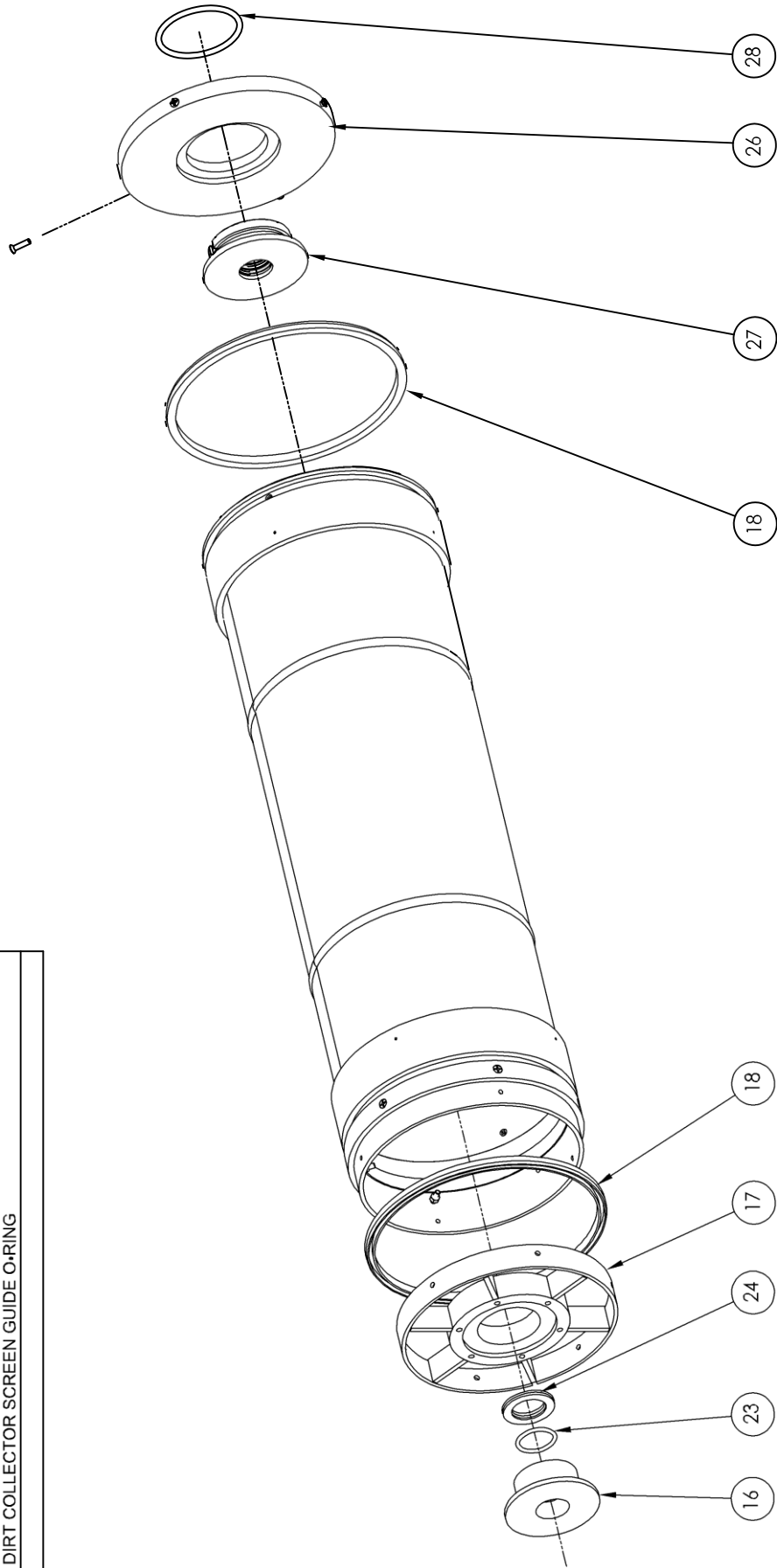
Typical Filter Assembly Drawing (with piston)

Online "P" model shown • Inline "I" model similar



No.	Description	No.	Description	No.	Description
1	Filter Housing	16	Upper Bearing	30	Differential Pressure Switch
2	Cover	17	Fine Screen Handle	33	Manifold O-Ring
3	Coarse Screen	18	Fine Screen O-Ring	34	Hydraulic Motor Chamber Cover Seal
4	Fine Screen	19	Dirt Collector Shaft	35	Hydraulic Motor Chamber Cover Bolt
5	Dirt Collector Assembly	20	Dirt Collector Nozzle	36	Hydraulic Motor Chamber Cover Washer
6	Rinse Valve Assembly	21	Hydraulic Motor	37	Hydraulic Motor Chamber Cover Nut
7	Hydraulic Piston Assembly	22	Lower Bearing	43	3-Way Mini Valve (Gauge optional)
8	Controller	23	Rinse Valve Actuator	52	Two Stage Manifold
11	Hydraulic Motor Chamber Cover	24	Rinse Valve Actuator O-Ring	53	Two Way Solenoid Valve - 24 VAC
12	Cover Seal	25	Nipple	RAIN BIRD CORPORATION 6991 EAST SOUTHPOINT ROAD TUCSON, AZ 85756	
13	Cover Bolt	26	Outer Guard		
14	Cover Washer	27	Outer Guard O-Ring		
15	Cover Nut	29	Bushing Assembly		

FIND	DESCRIPTION
16	DIRT COLLECTOR FRONT SUPPORT HOUSING
17	FINE SCREEN HANDLE
18	FINE SCREEN SEAL
23	FRONT & REAR DIRT COLLECTOR SUPPORT HOUSING O-RING
24	FRONT & REAR DIRT COLLECTOR SUPPORT HOUSING SEAL SET
26	DIRT COLLECTOR SCREEN GUIDE DISC
27	DIRT COLLECTOR SCREEN GUIDE
28	DIRT COLLECTOR SCREEN GUIDE O-RING



DRAWING NO.: 7102	SCALE: NONE
DRAWN BY: G KALINOWSKI	DATE: 03/01/13

**RAIN BIRD IRRIGATION FILTRATION SYSTEMS
REVISED REPLACEMENT PARTS LIST
JUNE 17, 2015**

I-Series Filter Parts

Part Number	HS-I-02-PE Spare Parts Description	Recommended Spares
02BE00	Cover	
03BE00	Coarse Screen	
4*BE00	Fine Screen Assembly (50 - 3000 micron only)** supplied with P/N 16BE00, 17BE00, and two 18BE00	1
05BE13	Dirt Collector Assembly - St/St supplied with P/N 19BE13, two welded nozzles, 21BE13, and 29BE13	1
06BE00	2" Rinse Valve Assembly	
12BE00	Cover/Housing Seal	1
13BE13	1/2" Cover Bolt - St/St (6 req'd)	
14BE13	1/2" Cover/Housing Washer - St/St (6 req'd)	
15BE13	1/2" Cover Nut - St/St (6 req'd)	
16BE00	Shaft Bearing/Upper Bearing - Brass	1
17BE00	Fine Screen Handle	
18BE00	Fine Screen O-Ring (2 req'd)	2
19BE13	Dirt Collector Shaft - St/St	
21BE13	Hydraulic Motor - St/St	
22BE13	Lower Bearing - St/St	1
23BE00	2" Rinse Valve Actuator (1 req'd)	1
24BE00	Rinse Valve Actuator O-Ring (1 req'd)	1
25BE00	2" Nipple (Rinse Valve to Body) (1 req'd)	
29BE13	Bushing Assembly - St/St	1
30BE00	Differential Pressure Switch	1
33BE00	Manifold O-Ring	
43BE00	Three Way Mini Valve	
45BE00	Fine Screen Extractor	1
46BE00	2" Controlled Outlet Valve Assembly	
47BE00	2" Rinse Valve Body (90°)	
48BE00	2" Controlled Outlet Valve Body (45°)	
50BE00	Fitting and Tubing Kit	1
52BE13	Two Stage Manifold - St/St	
53BE00	Solenoid Valve, 24 Vac, 2-Way, N.C.	1
66BE00	Pneumatic Control Conversion Kit	
68BE00	2" Plug	
70BE00	2-Wire Latching Solenoid Valve	
75BE00	1/2" Vacuum Breaker	
G37AE00	Pressure Gauge	
10221034	Silicone Tube	2
10221035	Teflon Tape	

* Z - 5, Y - 10, A - 15, B - 25, C - 30, D - 40, E - 50, F - 80, G - 100, H - 120, J - 150, K - 200, R - 300, L - 400, M - 800, N - 1000, P - 1500, Q - 3000.

** 15 & 25 are priced at \$877.00 each; 30 & 40 are priced at \$671.00 each. All screen sizes are in microns.

Wedge Wire & Multi-Layered, Sintered St/St Screens are also available. Please contact Rain Bird for additional details.

**RAIN BIRD IRRIGATION FILTRATION SYSTEMS
REVISED PARTS LIST
JUNE 17, 2015**

Part Number	HS-I-04-PS Spare Parts Description	Recommended Spares
02BE00	Cover	
03DS00	Coarse Screen	
4*DS00	Fine Screen Assembly (50 - 3000 micron only)** supplied	1
	with P/N 16BE00, 17BE00, and two 18BE00	
05DS13	Dirt Collector Assembly - St/St supplied with P/N 19DS13,	1
	two welded nozzles, 21DS13, and 29BE13	
06BE00	2" Rinse Valve Assembly	
12BE00	Cover/Housing Seal	1
13BE13	1/2" Cover Bolt - St/St (6 req'd)	
14BE13	1/2" Cover/Housing Washer - St/St (6 req'd)	
15BE13	1/2" Cover Nut - St/St (6 req'd)	
16BE00	Shaft Bearing/Upper Bearing - Brass	1
17BE00	Fine Screen Handle	
18BE00	Fine Screen O-Ring (2 req'd)	2
19DS13	Dirt Collector Shaft - St/St	
21DS13	Hydraulic Motor - St/St	
22BE13	Lower Bearing - St/St	1
23BE00	2" Rinse Valve Actuator (2 req'd)	1
24BE00	Rinse Valve Actuator O-Ring (2 req'd)	1
25BE00	2" Nipple (Rinse Valve to Body) (2 req'd)	
29BE13	Bushing Assembly - St/St	1
30BE00	Differential Pressure Switch	1
33BE00	Manifold O-Ring	
43BE00	Three Way Mini Valve	
45BE00	Fine Screen Extractor	1
46DS00	4" Controlled Outlet Valve Assembly supplied with a Solenoid Valve, 24 Vac, 3-Way, N.C.	
47BE00	2" Rinse Valve Body (90°)	
50BE00	Fitting and Tubing Kit	1
52BE13	Two Stage Manifold - St/St	
53BE00	Solenoid Valve, 24 Vac, 2-Way, N.C.	1
66BE00	Pneumatic Control Conversion Kit	
68BE00	2" Plug	
70BE00	2-Wire Latching Solenoid Valve	
75BE00	1/2" Vacuum Breaker	
G37AE00	Pressure Gauge	
10221034	Silicone Tube	2
10221035	Teflon Tape	1

Prices in effect as of 7/1/2008 and are subject to change without notice. Last revised 2/21/2011.

* Z - 5, Y - 10, A - 15, B - 25, C - 30, D - 40, E - 50, F - 80, G - 100, H - 120, J - 150, K - 200, R - 300, L - 400, M - 800, N - 1000,

**RAIN BIRD IRRIGATION FILTRATION SYSTEMS
REVISED PARTS LIST
JUNE 17, 2015**

P - 1500, Q - 3000. ** 15 & 25 are priced at \$1,026.00 each; 30 & 40 are priced at \$783.00 each. All screen sizes are in microns. Wedge Wire & Multi-Layered, Sintered St/St Screens are also available. Please contact Rain Bird for additional details.

Part Number	HS-I-04-PE Spare Parts Description	Recommended Spares
02BE00	Cover	
03DE00	Coarse Screen	
4*DE00	Fine Screen Assembly (50 - 3000 micron only)** supplied with P/N 16CE13, 17BE00, and two 18BE00	1
05DE00	Dirt Collector Assembly - PVC supplied with P/N 19DE00, four 20DE00, 21DE00, and 22DE00	1
05DE0A	Dirt Collector Plain Front Cap - PVC	
05DE0B	Dirt Collector Threaded Back Cap - PVC	
05DE0C	Dirt Collector Shaft Holder Assembly - PVC supplied with P/N 05DE0D	
05DE0D	Dirt Collector Shaft Threaded Insert - Brass	
06BE00	2" Rinse Valve Assembly	
07CE13	Hydraulic Piston Assembly - 38 mm	1
7ACE13	Hydraulic Piston Repair Kit - 38 mm	
11CE00	Hydraulic Motor Chamber Cover	
12BE00	Cover/Housing Seal	1
13BE13	1/2" Cover Bolt - St/St (6 req'd)	
14BE13	1/2" Cover/Housing Washer - St/St (6 req'd)	
15BE13	1/2" Cover Nut - St/St (6 req'd)	
16CE13	Shaft Bearing/Upper Bearing - St/St	1
17BE00	Fine Screen Handle	
18BE00	Fine Screen O-Ring (2 req'd)	2
19DE00	Dirt Collector Shaft - Brass	
20DE00	Dirt Collector Nozzle - PVC	
21DE00	Hydraulic Motor - PVC	
22DE00	Lower Bearing	1
23BE00	2" Rinse Valve Actuator (2 req'd)	1
24BE00	Rinse Valve Actuator O-Ring (2 req'd)	1
25BE00	2" Nipple (Rinse Valve to Body) (2 req'd)	
26CE00	Hydraulic Piston Outer Guard	
27CE00	Hydraulic Piston Outer Guard O-Ring (2 req'd)	
29CE13	Bushing Assembly - St/St	1
30BE00	Differential Pressure Switch	1
33BE00	Manifold O-Ring	
34CE00	Hydraulic Motor Chamber Cover Seal	1
35CE13	Hydraulic Motor Chamber Cover Bolt -St/St (4 req'd)	
36CE13	Hydraulic Motor Chamber Cover Washer -St/St (8 req'd)	

**RAIN BIRD IRRIGATION FILTRATION SYSTEMS
REVISED PARTS LIST
JUNE 17, 2015**

37CE13	Hydraulic Motor Chamber Cover Nut - St/St (4 req'd)	
43BE00	Three Way Mini Valve	
45BE00	Fine Screen Extractor	1
46DS00	4" Controlled Outlet Valve Assembly supplied with a Solenoid Valve, 24 Vac, 3-Way, N.C.	
47BE00	2" Rinse Valve Body (90°)	
50BE00	Fitting and Tubing Kit	1
52BE13	Two Stage Manifold - St/St	
53BE00	Solenoid Valve, 24 Vac, 2-Way, N.C.	1
66CE00	Pneumatic Control Conversion Kit	
68BE00	2" Plug	
70BE00	2-Wire Latching Solenoid Valve	
72BE00	1/4" Flow Control Needle Valve	
75BE00	1/2" Vacuum Breaker	
76BE13	1/4" Piston Mounting Stud - St/St (6 req'd)	
77BE13	1/4" Piston Mounting Nut - St/St (6 req'd)	
G37AE00	Pressure Gauge	
10221034	Silicone Tube	2
10221035	Teflon Tape	1

Prices in effect as of 7/1/2008 and are subject to change without notice. Last revised 2/21/2011.

* Z - 5, Y - 10, A - 15, B - 25, C - 30, D - 40, E - 50, F - 80, G - 100, H - 120, J - 150, K - 200, R - 300, L - 400, M - 800, N - 1000,

P - 1500, Q - 3000. ** 15 & 25 are priced at \$2,503.00 each; 30 & 40 are priced at \$1,891.00 each. All screen sizes are in microns. Wedge Wire & Multi-Layered, Sintered St/St Screens are also available. Please contact Rain Bird for additional details.

Part Number	HS-I-06-PE Spare Parts Description	Recommended Spares
02BE00	Cover	
03EE00	Coarse Screen	
4*DE00	Fine Screen Assembly (50 - 3000 micron only)** supplied with P/N 16CE13, 17BE00, and two 18BE00	1
05DE00	Dirt Collector Assembly - PVC supplied with P/N 19DE00, four 20DE00, 21DE00, and 22DE00	1
05DE0A	Dirt Collector Plain Front Cap - PVC	
05DE0B	Dirt Collector Threaded Back Cap - PVC	
05DE0C	Dirt Collector Shaft Holder Assembly - PVC supplied with P/N 05DE0D	
05DE0D	Dirt Collector Shaft Threaded Insert - Brass	
06BE00	2" Rinse Valve Assembly	
07CE13	Hydraulic Piston Assembly - 38 mm	1
7ACE13	Hydraulic Piston Repair Kit - 38 mm	
11CE00	Hydraulic Motor Chamber Cover	
12BE00	Cover/Housing Seal	1

**RAIN BIRD IRRIGATION FILTRATION SYSTEMS
REVISED PARTS LIST
JUNE 17, 2015**

13EE13	1/2" Cover Stud - St/St	(6 req'd)	
14BE13	1/2" Cover/Housing Washer - St/St	(6 req'd)	
15BE13	1/2" Cover Nut - St/St	(6 req'd)	
16CE13	Shaft Bearing/Upper Bearing - St/St		1
17BE00	Fine Screen Handle		
18BE00	Fine Screen O-Ring	(2 req'd)	2
19DE00	Dirt Collector Shaft - Brass		
20DE00	Dirt Collector Nozzle - PVC		
21DE00	Hydraulic Motor - PVC		
22DE00	Lower Bearing		1
23BE00	2" Rinse Valve Actuator	(2 req'd)	1
24BE00	Rinse Valve Actuator O-Ring	(2 req'd)	1
25BE00	2" Nipple (Rinse Valve to Body)	(2 req'd)	
26CE00	Hydraulic Piston Outer Guard		
27CE00	Hydraulic Piston Outer Guard O-Ring	(2 req'd)	
29CE13	Bushing Assembly - St/St		1
30BE00	Differential Pressure Switch		1
33BE00	Manifold O-Ring		
34CE00	Hydraulic Motor Chamber Cover Seal		1
35CE13	Hydraulic Motor Chamber Cover Bolt -St/St	(4 req'd)	
36CE13	Hydraulic Motor Chamber Cover Washer -St/St	(8 req'd)	
37CE13	Hydraulic Motor Chamber Cover Nut - St/St	(4 req'd)	
43BE00	Three Way Mini Valve		
45BE00	Fine Screen Extractor		1
46EE00	6" Controlled Outlet Valve Assembly supplied with a Solenoid Valve, 24 Vac, 3-Way, N.C.		
47BE00	2" Rinse Valve Body (90°)		
50BE00	Fitting and Tubing Kit		1
52BE13	Two Stage Manifold - St/St		
53BE00	Solenoid Valve, 24 Vac, 2-Way, N.C.		1
66CE00	Pneumatic Control Conversion Kit		
68BE00	2" Plug		
70BE00	2-Wire Latching Solenoid Valve		
72BE00	1/4" Flow Control Needle Valve		
75BE00	1/2" Vacuum Breaker		
76BE13	1/4" Piston Mounting Stud - St/St	(6 req'd)	
77BE13	1/4" Piston Mounting Nut - St/St	(6 req'd)	
G37AE00	Pressure Gauge		
10221034	Silicone Tube		2
10221035	Teflon Tape		1

Prices in effect as of 7/1/2008 and are subject to change without notice. Last revised 2/21/2011.

* Z - 5, Y - 10, A - 15, B - 25, C - 30, D - 40, E - 50, F - 80, G - 100, H - 120, J - 150, K - 200, R - 300, L - 400, M - 800, N - 1000, P - 1500, Q - 3000. ** 15 & 25 are priced at \$2,503.00 each; 30 & 40 are priced at \$1,891.00 each. All screen sizes are in microns.

**RAIN BIRD IRRIGATION FILTRATION SYSTEMS
REVISED PARTS LIST
JUNE 17, 2015**

Wedge Wire & Multi-Layered, Sintered St/St Screens are also available. Please contact Rain Bird for additional details.

Part Number	HS-I-08-PS Spare Parts Description	Recommended Spares
02BE00	Cover	
03FS00	Coarse Screen	
4*DE00	Fine Screen Assembly (50 - 3000 micron only)** supplied with P/N 16CE13, 17BE00, and two 18BE00	1
05DE00	Dirt Collector Assembly - PVC supplied with P/N 19DE00, four 20DE00, 21DE00, and 22DE00	1
05DE0A	Dirt Collector Plain Front Cap - PVC	
05DE0B	Dirt Collector Threaded Back Cap - PVC	
05DE0C	Dirt Collector Shaft Holder Assembly - PVC supplied with P/N 05DE0D	
05DE0D	Dirt Collector Shaft Threaded Insert - Brass	
06BE00	2" Rinse Valve Assembly	
07CE13	Hydraulic Piston Assembly - 38 mm	1
7ACE13	Hydraulic Piston Repair Kit - 38 mm	
11CE00	Hydraulic Motor Chamber Cover	
12BE00	Cover/Housing Seal	1
13EE13	1/2" Cover Stud - St/St (6 req'd)	
14BE13	1/2" Cover/Housing Washer - St/St (6 req'd)	
15BE13	1/2" Cover Nut - St/St (6 req'd)	
16CE13	Shaft Bearing/Upper Bearing - St/St	1
17BE00	Fine Screen Handle	
18BE00	Fine Screen O-Ring (2 req'd)	2
19DE00	Dirt Collector Shaft - Brass	
20DE00	Dirt Collector Nozzle - PVC	
21DE00	Hydraulic Motor - PVC	
22DE00	Lower Bearing	1
23BE00	2" Rinse Valve Actuator (2 req'd)	1
24BE00	Rinse Valve Actuator O-Ring (2 req'd)	1
25BE00	2" Nipple (Rinse Valve to Body) (2 req'd)	
26CE00	Hydraulic Piston Outer Guard	
27CE00	Hydraulic Piston Outer Guard O-Ring (2 req'd)	
29CE13	Bushing Assembly - St/St	1
30BE00	Differential Pressure Switch	1
33BE00	Manifold O-Ring	
34CE00	Hydraulic Motor Chamber Cover Seal	1
35CE13	Hydraulic Motor Chamber Cover Bolt -St/St (4 req'd)	
36CE13	Hydraulic Motor Chamber Cover Washer -St/St (8 req'd)	
37CE13	Hydraulic Motor Chamber Cover Nut - St/St (4 req'd)	

**RAIN BIRD IRRIGATION FILTRATION SYSTEMS
REVISED PARTS LIST
JUNE 17, 2015**

43BE00	Three Way Mini Valve	
45BE00	Fine Screen Extractor	1
46FS00	8" Controlled Outlet Valve Assembly supplied with a Solenoid Valve, 24 Vac, 3-Way, N.C.	
47BE00	2" Rinse Valve Body (90°)	
50BE00	Fitting and Tubing Kit	1
52BE13	Two Stage Manifold - St/St	
53BE00	Solenoid Valve, 24 Vac, 2-Way, N.C.	1
66CE00	Pneumatic Control Conversion Kit	
68BE00	2" Plug	
70BE00	2-Wire Latching Solenoid Valve	
72BE00	1/4" Flow Control Needle Valve	
75BE00	1/2" Vacuum Breaker	
76BE13	1/4" Piston Mounting Stud - St/St (6 req'd)	
77BE13	1/4" Piston Mounting Nut - St/St (6 req'd)	
G37AE00	Pressure Gauge	
10221034	Silicone Tube	2
10221035	Teflon Tape	1

Prices in effect as of 7/1/2008 and are subject to change without notice. Last revised 2/21/2011.

* Z - 5, Y - 10, A - 15, B - 25, C - 30, D - 40, E - 50, F - 80, G - 100, H - 120, J - 150, K - 200, R - 300, L - 400, M - 800, N - 1000, P - 1500, Q - 3000. ** 15 & 25 are priced at \$2,503.00 each; 30 & 40 are priced at \$1,891.00 each. All screen sizes are in microns.

Wedge Wire & Multi-Layered, Sintered St/St Screens are also available. Please contact Rain Bird for additional details.

Part Number	HS-I-08-PE Spare Parts Description	Recommended Spares
02BE00	Cover	
03FS00	Coarse Screen	
4*FE00	Fine Screen Assembly (50 - 3000 micron only)** supplied with P/N 16CE13, 17BE00, and two 18BE00	1
05FE13	Dirt Collector Assembly - St/St supplied with P/N 19DE00, six 20FE00, 21FE13, and 22DE00	1
05FE0A	Dirt Collector Plain Front Cap - PVC	
05FE0B	Dirt Collector Threaded Back Cap - PVC	
05FE0C	Dirt Collector Shaft Holder Assembly - PVC supplied with P/N 05DE0D	
05DE0D	Dirt Collector Shaft Threaded Insert - Brass	
06BE00	2" Rinse Valve Assembly	
07CE13	Hydraulic Piston Assembly - 38 mm	1
7ACE13	Hydraulic Piston Repair Kit - 38 mm	
11CE00	Hydraulic Motor Chamber Cover	
12BE00	Cover/Housing Seal	1
13EE13	1/2" Cover Stud - St/St (6 req'd)	

**RAIN BIRD IRRIGATION FILTRATION SYSTEMS
REVISED PARTS LIST
JUNE 17, 2015**

14BE13	1/2" Cover/Housing Washer - St/St	(6 req'd)	
15BE13	1/2" Cover Nut - St/St	(6 req'd)	
16CE13	Shaft Bearing/Upper Bearing - St/St		1
17BE00	Fine Screen Handle		
18BE00	Fine Screen O-Ring	(2 req'd)	2
19DE00	Dirt Collector Shaft - Brass		
20FE00	Dirt Collector Nozzle - PVC		
21FE13	Hydraulic Motor - St/St		
22DE00	Lower Bearing		1
23BE00	2" Rinse Valve Actuator	(3 req'd)	1
24BE00	Rinse Valve Actuator O-Ring	(3 req'd)	1
25BE00	2" Nipple (Rinse Valve to Body)	(3 req'd)	
26CE00	Hydraulic Piston Outer Guard		
27CE00	Hydraulic Piston Outer Guard O-Ring	(2 req'd)	
29CE13	Bushing Assembly - St/St		1
30BE00	Differential Pressure Switch		1
33BE00	Manifold O-Ring		
34CE00	Hydraulic Motor Chamber Cover Seal		1
35CE13	Hydraulic Motor Chamber Cover Bolt -St/St	(4 req'd)	
36CE13	Hydraulic Motor Chamber Cover Washer -St/St	(8 req'd)	
37CE13	Hydraulic Motor Chamber Cover Nut - St/St	(4 req'd)	
43BE00	Three Way Mini Valve		
45BE00	Fine Screen Extractor		1
46FS00	8" Controlled Outlet Valve Assembly supplied with a Solenoid Valve, 24 Vac, 3-Way, N.C.		
47BE00	2" Rinse Valve Body (90°)		
50BE00	Fitting and Tubing Kit		1
52BE13	Two Stage Manifold - St/St		
53BE00	Solenoid Valve, 24 Vac, 2-Way, N.C.		1
66CE00	Pneumatic Control Conversion Kit		
68BE00	2" Plug		
70BE00	2-Wire Latching Solenoid Valve		
72BE00	1/4" Flow Control Needle Valve		
75BE00	1/2" Vacuum Breaker		
76BE13	1/4" Piston Mounting Stud - St/St	(6 req'd)	
77BE13	1/4" Piston Mounting Nut - St/St	(6 req'd)	
G37AE00	Pressure Gauge		
10221034	Silicone Tube		2
10221035	Teflon Tape		1

Prices in effect as of 7/1/2008 and are subject to change without notice. Last revised 2/21/2011.

* Z - 5, Y - 10, A - 15, B - 25, C - 30, D - 40, E - 50, F - 80, G - 100, H - 120, J - 150, K - 200, R - 300, L - 400, M - 800, N - 1000, P - 1500, Q - 3000. ** 15 & 25 are priced at \$3,724.00 each; 30 & 40 are priced at \$2,808.00 each. All screen sizes are in microns.

Wedge Wire & Multi-Layered, Sintered St/St Screens are also available. Please contact Rain Bird for additional details.

**RAIN BIRD IRRIGATION FILTRATION SYSTEMS
REVISED PARTS LIST
JUNE 17, 2015**

Part Number	HS-I-10-PS Spare Parts Description	Recommended Spares
02GS00	Cover	
03GS00	Coarse Screen	
4*GS00	Fine Screen Assembly (50 - 3000 micron only)** supplied with P/N 16CE13, 17GS00, and two 18GS00	1
05GS13	Dirt Collector Assembly - St/St supplied with P/N 19GS00, four 20GS00, 21GS13, and 22DE00	1
05GS0A	Dirt Collector Plain Front Cap - PVC	
05GS0B	Dirt Collector Threaded Back Cap - PVC	
05GS0C	Dirt Collector Shaft Holder Assembly - PVC supplied with P/N 05DE0D	
05DE0D	Dirt Collector Shaft Threaded Insert - Brass	
06BE00	2" Rinse Valve Assembly	
07GS13	Hydraulic Piston Assembly - 50 mm	1
7AGS13	Hydraulic Piston Repair Kit - 50 mm	
11CE00	Hydraulic Motor Chamber Cover	
12GS00	Cover/Housing Seal	1
13GS13	3/4" Cover Stud - St/St (8 req'd)	
14GS13	3/4" Cover/Housing Washer - St/St (8 req'd)	
15GS13	3/4" Cover Nut - St/St (8 req'd)	
16CE13	Shaft Bearing/Upper Bearing - St/St	1
17GS00	Fine Screen Handle	
18GS00	Fine Screen O-Ring (2 req'd)	2
19GS00	Dirt Collector Shaft - Brass	
20GS00	Dirt Collector Nozzle - PVC	
21GS13	Hydraulic Motor - St/St	
22DE00	Lower Bearing	1
23BE00	2" Rinse Valve Actuator (2 req'd)	1
24BE00	Rinse Valve Actuator O-Ring (2 req'd)	1
25BE00	2" Nipple (Rinse Valve to Body) (2 req'd)	
26CE00	Hydraulic Piston Outer Guard	
27CE00	Hydraulic Piston Outer Guard O-Ring (2 req'd)	
29CE13	Bushing Assembly - St/St	1
30BE00	Differential Pressure Switch	1
33BE00	Manifold O-Ring	
34CE00	Hydraulic Motor Chamber Cover Seal	1
35CE13	Hydraulic Motor Chamber Cover Bolt -St/St (4 req'd)	
36CE13	Hydraulic Motor Chamber Cover Washer -St/St (8 req'd)	
37CE13	Hydraulic Motor Chamber Cover Nut - St/St (4 req'd)	
43BE00	Three Way Mini Valve	

**RAIN BIRD IRRIGATION FILTRATION SYSTEMS
REVISED PARTS LIST
JUNE 17, 2015**

45GS00	Fine Screen Extractor	1
45GS01	Fine Screen Spanner Wrenches - 1 pair	1
46GS00	10" Controlled Outlet Valve Assembly supplied with a Solenoid Valve, 24 Vac, 3-Way, N.C.	
47BE00	2" Rinse Valve Body (90°)	
50BE00	Fitting and Tubing Kit	1
52BE13	Two Stage Manifold - St/St	
53BE00	Solenoid Valve, 24 Vac, 2-Way, N.C.	1
66CE00	Pneumatic Control Conversion Kit	
68BE00	2" Plug	
70BE00	2-Wire Latching Solenoid Valve	
72BE00	1/4" Flow Control Needle Valve	
75BE00	1/2" Vacuum Breaker	
76BE13	1/4" Piston Mounting Stud - St/St (6 req'd)	
77BE13	1/4" Piston Mounting Nut - St/St (6 req'd)	
G37AE00	Pressure Gauge	
10221034	Silicone Tube	2
10221035	Teflon Tape	1

Prices in effect as of 7/1/2008 and are subject to change without notice. Last revised 2/21/2011.

* Z - 5, Y - 10, A - 15, B - 25, C - 30, D - 40, E - 50, F - 80, G - 100, H - 120, J - 150, K - 200, R - 300, L - 400, M - 800, N - 1000, P - 1500, Q - 3000. ** 15 & 25 are priced at \$3,727.00 each; 30 & 40 are priced at \$2,811.00 each. All screen sizes are in microns.

Wedge Wire & Multi-Layered, Sintered St/St Screens are also available. Please contact Rain Bird for additional details.

Part Number	HS-I-10-PE Spare Parts Description	Recommended Spares
02GS00	Cover	
03HS00	Coarse Screen	
4*HS00	Fine Screen Assembly (50 - 3000 micron only)** supplied with P/N 16CE13, 17GS00, and two 18GS00	1
05HS13	Dirt Collector Assembly - St/St supplied with P/N 19GS00, six 20GS00, 21HS13, and 22DE00	1
05GS0A	Dirt Collector Plain Front Cap - PVC	
05GS0B	Dirt Collector Threaded Back Cap - PVC	
05GS0C	Dirt Collector Shaft Holder Assembly - PVC supplied with P/N 05DE0D	
05DE0D	Dirt Collector Shaft Threaded Insert - Brass	
06BE00	2" Rinse Valve Assembly	
07GS13	Hydraulic Piston Assembly - 50 mm	1
7AGS13	Hydraulic Piston Repair Kit - 50 mm	
11CE00	Hydraulic Motor Chamber Cover	
12GS00	Cover/Housing Seal	1
13GS13	3/4" Cover Stud - St/St (8 req'd)	

**RAIN BIRD IRRIGATION FILTRATION SYSTEMS
REVISED PARTS LIST
JUNE 17, 2015**

14GS13	3/4" Cover/Housing Washer - St/St	(8 req'd)	
15GS13	3/4" Cover Nut - St/St	(8 req'd)	
16CE13	Shaft Bearing/Upper Bearing - St/St		1
17GS00	Fine Screen Handle		
18GS00	Fine Screen O-Ring	(2 req'd)	2
19GS00	Dirt Collector Shaft - Brass		
20GS00	Dirt Collector Nozzle - PVC		
21HS13	Hydraulic Motor - St/St		
22DE00	Lower Bearing		1
23BE00	2" Rinse Valve Actuator	(3 req'd)	1
24BE00	Rinse Valve Actuator O-Ring	(3 req'd)	1
25BE00	2" Nipple (Rinse Valve to Body)	(3 req'd)	
26CE00	Hydraulic Piston Outer Guard		
27CE00	Hydraulic Piston Outer Guard O-Ring	(2 req'd)	
29CE13	Bushing Assembly - St/St		1
30BE00	Differential Pressure Switch		1
33BE00	Manifold O-Ring		
34CE00	Hydraulic Motor Chamber Cover Seal		1
35CE13	Hydraulic Motor Chamber Cover Bolt -St/St	(4 req'd)	
36CE13	Hydraulic Motor Chamber Cover Washer -St/St	(8 req'd)	
37CE13	Hydraulic Motor Chamber Cover Nut - St/St	(4 req'd)	
43BE00	Three Way Mini Valve		
45GS00	Fine Screen Extractor		1
45GS01	Fine Screen Spanner Wrenches - 1 pair		1
46GS00	10" Controlled Outlet Valve Assembly supplied with a Solenoid Valve, 24 Vac, 3-Way, N.C.		
47BE00	2" Rinse Valve Body (90°)		
50BE00	Fitting and Tubing Kit		1
52BE13	Two Stage Manifold - St/St		
53BE00	Solenoid Valve, 24 Vac, 2-Way, N.C.		1
66CE00	Pneumatic Control Conversion Kit		
68BE00	2" Plug		
70BE00	2-Wire Latching Solenoid Valve		
72BE00	1/4" Flow Control Needle Valve		
75BE00	1/2" Vacuum Breaker		
76BE13	1/4" Piston Mounting Stud - St/St	(6 req'd)	
77BE13	1/4" Piston Mounting Nut - St/St	(6 req'd)	
G37AE00	Pressure Gauge		
10221034	Silicone Tube		2
10221035	Teflon Tape		1

Prices in effect as of 7/1/2008 and are subject to change without notice. Last revised 2/21/2011.

* Z - 5, Y - 10, A - 15, B - 25, C - 30, D - 40, E - 50, F - 80, G - 100, H - 120, J - 150, K - 200, R - 300, L - 400, M - 800, N - 1000, P - 1500, Q - 3000. ** 15 & 25 are priced at \$4,528.00 each; 30 & 40 are priced at \$3,412.00 each. All screen sizes are in microns.

**RAIN BIRD IRRIGATION FILTRATION SYSTEMS
REVISED PARTS LIST
JUNE 17, 2015**

Wedge Wire & Multi-Layered, Sintered St/St Screens are also available. Please contact Rain Bird for additional details.

Part Number	HS-I-12-PS Spare Parts Description	Recommended Spares
02GS00	Cover	
03HS00	Coarse Screen	
4*HS00	Fine Screen Assembly (50 - 3000 micron only)** supplied with P/N 16CE13, 17GS00, and two 18GS00	1
05HS13	Dirt Collector Assembly - St/St supplied with P/N 19GS00, six 20GS00, 21HS13, and 22DE00	1
05GS0A	Dirt Collector Plain Front Cap - PVC	
05GS0B	Dirt Collector Threaded Back Cap - PVC	
05GS0C	Dirt Collector Shaft Holder Assembly - PVC supplied with P/N 05DE0D	
05DE0D	Dirt Collector Shaft Threaded Insert - Brass	
06BE00	2" Rinse Valve Assembly	
07GS13	Hydraulic Piston Assembly - 50 mm	1
7AGS13	Hydraulic Piston Repair Kit - 50 mm	
11CE00	Hydraulic Motor Chamber Cover	
12GS00	Cover/Housing Seal	1
13GS13	3/4" Cover Stud - St/St (8 req'd)	
14GS13	3/4" Cover/Housing Washer - St/St (8 req'd)	
15GS13	3/4" Cover Nut - St/St (8 req'd)	
16CE13	Shaft Bearing/Upper Bearing - St/St	1
17GS00	Fine Screen Handle	
18GS00	Fine Screen O-Ring (2 req'd)	2
19GS00	Dirt Collector Shaft - Brass	
20GS00	Dirt Collector Nozzle - PVC	
21HS13	Hydraulic Motor - St/St	
22DE00	Lower Bearing	1
23BE00	2" Rinse Valve Actuator (3 req'd)	1
24BE00	Rinse Valve Actuator O-Ring (3 req'd)	1
25BE00	2" Nipple (Rinse Valve to Body) (3 req'd)	
26CE00	Hydraulic Piston Outer Guard	
27CE00	Hydraulic Piston Outer Guard O-Ring (2 req'd)	
29CE13	Bushing Assembly - St/St	1
30BE00	Differential Pressure Switch	1
33BE00	Manifold O-Ring	
34CE00	Hydraulic Motor Chamber Cover Seal	1
35CE13	Hydraulic Motor Chamber Cover Bolt -St/St (4 req'd)	
36CE13	Hydraulic Motor Chamber Cover Washer -St/St (8 req'd)	
37CE13	Hydraulic Motor Chamber Cover Nut - St/St (4 req'd)	

**RAIN BIRD IRRIGATION FILTRATION SYSTEMS
REVISED PARTS LIST
JUNE 17, 2015**

43BE00	Three Way Mini Valve	
45GS00	Fine Screen Extractor	1
45GS01	Fine Screen Spanner Wrenches - 1 pair	1
46HS00	12" Controlled Outlet Valve Assembly supplied with a Solenoid Valve, 24 Vac, 3-Way, N.C.	
47BE00	2" Rinse Valve Body (90°)	
50BE00	Fitting and Tubing Kit	1
52BE13	Two Stage Manifold - St/St	
53BE00	Solenoid Valve, 24 Vac, 2-Way, N.C.	1
66CE00	Pneumatic Control Conversion Kit	
68BE00	2" Plug	
70BE00	2-Wire Latching Solenoid Valve	
72BE00	1/4" Flow Control Needle Valve	
75BE00	1/2" Vacuum Breaker	
76BE13	1/4" Piston Mounting Stud - St/St (6 req'd)	
77BE13	1/4" Piston Mounting Nut - St/St (6 req'd)	
G37AE00	Pressure Gauge	
10221034	Silicone Tube	2
10221035	Teflon Tape	1

Prices in effect as of 7/1/2008 and are subject to change without notice. Last revised 2/21/2011.

* Z - 5, Y - 10, A - 15, B - 25, C - 30, D - 40, E - 50, F - 80, G - 100, H - 120, J - 150, K - 200, R - 300, L - 400, M - 800, N - 1000, P - 1500, Q - 3000. ** 15 & 25 are priced at \$4,528.00 each; 30 & 40 are priced at \$3,412.00 each. All screen sizes are in microns.

Wedge Wire & Multi-Layered, Sintered St/St Screens are also available. Please contact Rain Bird for additional details.

Part Number	HS-I-14-PS Spare Parts Description	Recommended Spares
02JS00	Cover	
03JS00	Coarse Screen	
4*JS00	Fine Screen Assembly (50 - 3000 micron only)** supplied with P/N 16CE13, 17JS00, and two 18JS00	1
05JS13	Dirt Collector Assembly - St/St supplied with P/N 19GS00, six 20JS00, 21JS13, and 22DE00	1
05GS0A	Dirt Collector Plain Front Cap - PVC	
05GS0B	Dirt Collector Threaded Back Cap - PVC	
05GS0C	Dirt Collector Shaft Holder Assembly - PVC supplied with P/N 05DE0D	
05DE0D	Dirt Collector Shaft Threaded Insert - Brass	
06BE00	2" Rinse Valve Assembly	
07GS13	Hydraulic Piston Assembly - 50 mm	1
7AGS13	Hydraulic Piston Repair Kit - 50 mm	
11CE00	Hydraulic Motor Chamber Cover	
12JS00	Cover/Housing Seal	1

**RAIN BIRD IRRIGATION FILTRATION SYSTEMS
REVISED PARTS LIST
JUNE 17, 2015**

13GS13	3/4" Cover Stud - St/St (8 req'd)	
14GS13	3/4" Cover/Housing Washer - St/St (8 req'd)	
15GS13	3/4" Cover Nut - St/St (8 req'd)	
16CE13	Shaft Bearing/Upper Bearing - St/St	1
17JS00	Fine Screen Handle	
18JS00	Fine Screen O-Ring (2 req'd)	2
19GS00	Dirt Collector Shaft - Brass	
20JS00	Dirt Collector Nozzle - PVC	
21HS13	Hydraulic Motor - St/St	
22DE00	Lower Bearing	1
23BE00	2" Rinse Valve Actuator (3 req'd)	1
24BE00	Rinse Valve Actuator O-Ring (3 req'd)	1
25BE00	2" Nipple (Rinse Valve to Body) (3 req'd)	
26CE00	Hydraulic Piston Outer Guard	
27CE00	Hydraulic Piston Outer Guard O-Ring (2 req'd)	
29CE13	Bushing Assembly - St/St	1
30BE00	Differential Pressure Switch	1
33BE00	Manifold O-Ring	
34CE00	Hydraulic Motor Chamber Cover Seal	1
35CE13	Hydraulic Motor Chamber Cover Bolt -St/St (4 req'd)	
36CE13	Hydraulic Motor Chamber Cover Washer -St/St (8 req'd)	
37CE13	Hydraulic Motor Chamber Cover Nut - St/St (4 req'd)	
43BE00	Three Way Mini Valve	
45GS00	Fine Screen Extractor	1
45JS01	Fine Screen Spanner Wrenches - 1 pair	1
46JS00	14" Controlled Outlet Valve Assembly supplied with a Solenoid Valve, 24 Vac, 3-Way, N.C.	
47BE00	2" Rinse Valve Body (90°)	
50BE00	Fitting and Tubing Kit	1
52BE13	Two Stage Manifold - St/St	
53BE00	Solenoid Valve, 24 Vac, 2-Way, N.C.	1
66CE00	Pneumatic Control Conversion Kit	
68BE00	2" Plug	
70BE00	2-Wire Latching Solenoid Valve	
72BE00	1/4" Flow Control Needle Valve	
75BE00	1/2" Vacuum Breaker	
76BE13	1/4" Piston Mounting Stud - St/St (6 req'd)	
77BE13	1/4" Piston Mounting Nut - St/St (6 req'd)	
G37AE00	Pressure Gauge	
10221034	Silicone Tube	2
10221035	Teflon Tape	1

Prices in effect as of 7/1/2008 and are subject to change without notice. Last revised 2/21/2011.

* Z - 5, Y - 10, A - 15, B - 25, C - 30, D - 40, E - 50, F - 80, G - 100, H - 120, J - 150, K - 200, R - 300, L - 400, M - 800, N - 1000,

**RAIN BIRD IRRIGATION FILTRATION SYSTEMS
REVISED PARTS LIST
JUNE 17, 2015**

P - 1500, Q - 3000. ** 15 & 25 are priced at \$8,901.00 each; 30 & 40 are priced at \$6,698.00 each. All screen sizes are in microns.
Wedge Wire & Multi-Layered, Sintered St/St Screens are also available. Please contact Rain Bird for additional details.

G-Series Filter Parts

Part Number	HS-V-01-LE Spare Parts Description	Recommended Spares
V02AE00	Cover	
V4*AE00	Fine Screen Assembly (50 - 3000 micron only)**	1
	Supplied with P/N 16BE00 and V17BE00	
V05AE00	Dirt Collector Assembly with Nozzles and St/St Shaft	1
	Supplied with P/N V21AE00, V22AE13 and V50AE13	
G06AE00	1" Rinse Valve Assembly	1
G06AEE0	1" Rinse Valve Diaphragm	
V07AE13	Hydraulic Piston Assembly	1
V7AAE13	Hydraulic Piston Repair Kit	
V11AE00	Hydraulic Motor Chamber Spacer - PVC	
V12AE00	Cover/Housing Seal	1
V13AE13	1/2" Cover Bolt - St/St (6 req'd)	
14BE13	1/2" Cover/Housing Washer - St/St (6 req'd)	
16BE00	Shaft Bearing/Upper Bearing - Brass	1
V17BE00	Fine Screen Handle	
V18AE00	Fine Screen Inner Gasket	1
V20AE00	Dirt Collector Nozzle - PVC	
V21AE00	Hydraulic Motor - PVC	
V22AE13	Dirt Collector Locking Plug - St/St	
V28AE00	Separator Plate and Bearing Assembly	
30BE00	Differential Pressure Switch	1
31BE00	Solenoid Valve, 24 Vac, 3-Way, N.O.	1
G32AE00	1/4" Mini Filter with 1/8" port	
G33AE00	Pressure Gauge Enclosure	1
G37AE00	Pressure Gauge	
43BE00	Three Way Mini Valve	
V46AE00	1" Controlled Outlet Valve	
V50AE13	Dirt Collector Bearing Sleeve - St/St	
G55AE00	Fitting and Tubing Kit	
70BE00	2-Wire Latching Solenoid Valve	
72BE00	1/4" Flow Control Needle Valve	
10221034	Silicon Tube	1
10221035	Teflon Tape	1

* Z - 5, Y - 10, A - 15, B - 25, C - 30, D - 40, E - 50, F - 80, G - 100, H - 120, J - 150, K - 200, R - 300, L - 400, M - 800, N - 1000,

P - 1500, Q - 3000. All screen sizes are in microns.

** 15 & 25 micron screens are priced at \$511.00 each; 30 & 40 micron screens are priced at \$388.00 each

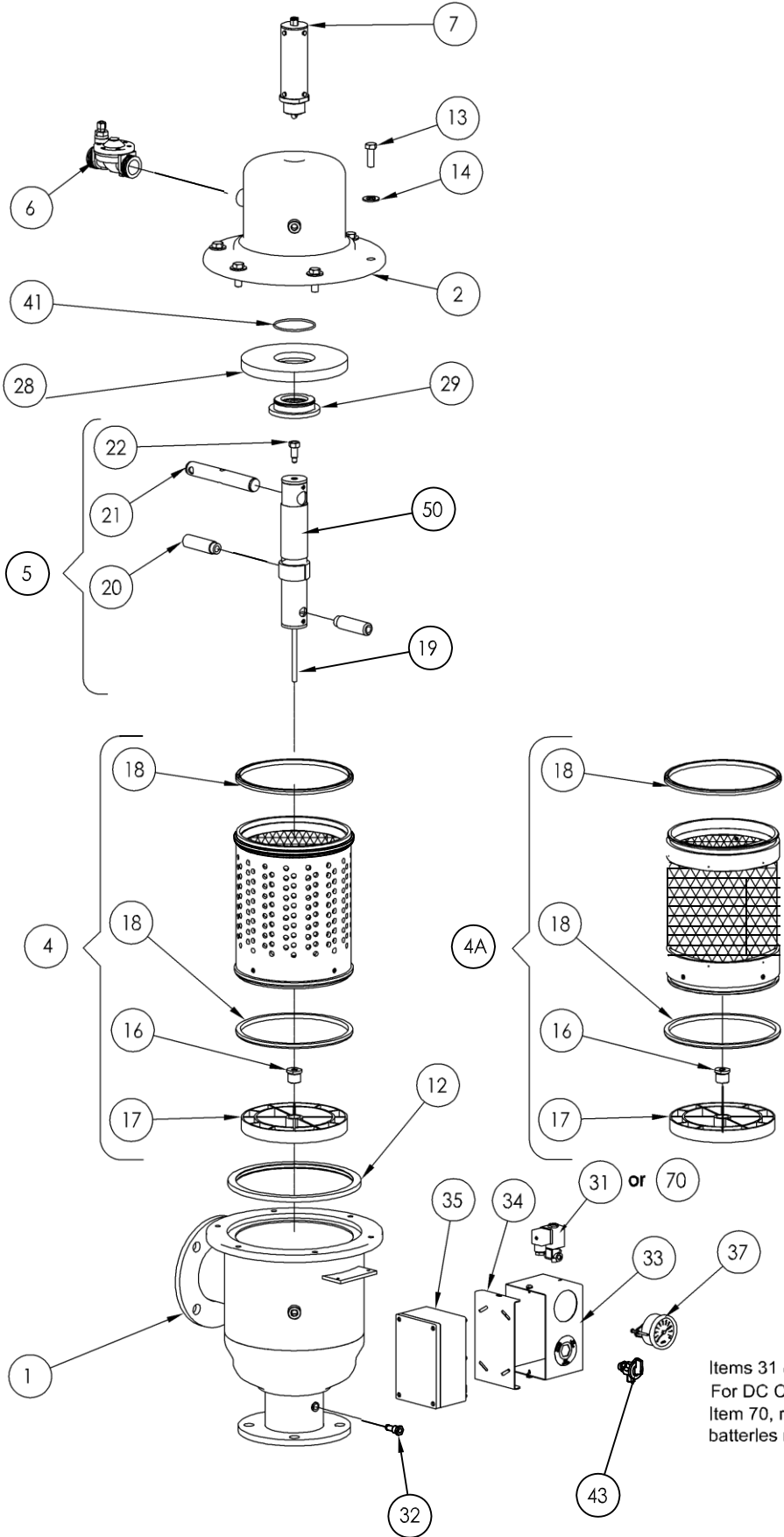
**RAIN BIRD IRRIGATION FILTRATION SYSTEMS
REVISED PARTS LIST
JUNE 17, 2015**

Wedge Wire & Multi-Layered, Sintered Stainless Steel Screen are also available. Please contact Rain Bird for additional details.

Part Number	HS-V-015-LE Spare Parts Description	Recommended Spares
G01AE00	Housing, Bottom	
GA02AE00	Housing, Cover	
GA4*AE00	Fine Screen Assembly (50 - 3000 micron only)** supplied with P/N 16BE00, 17BE00, and two E18BS00	1
GA05AE00	Dirt Collector Assembly supplied with P/N GA19AE13, two G20AE00, GA21AE00, G22AE13, and GA50AE13	1
G05AE0A	Dirt Collector Threaded Cap - PVC (2 req'd)	
G06AE00	1" Rinse Valve Assembly	1
GA07AE13	Hydraulic Piston Assembly	1
G7ACE13	Hydraulic Piston Repair Kit	
12BE00	Housing/Cover Seal	1
G13AE13	1/2" Housing Bolt - St/St (6 req'd)	
14BE13	1/2" Housing/Cover Washer - St/St (6 req'd)	
16BE00	Shaft Bearing/Upper Bearing - Brass	1
17BE00	Fine Screen Handle	
E18BS00	Fine Screen Seal (2 req'd)	2
GA19AE13	Dirt Collector Shaft - St/St	
G20AE00	Dirt Collector Nozzle - PVC	
GA21AE00	Hydraulic Motor - PVC	
G22AE13	Dirt Collector Locking Plug - St/St	
GA28AE00	Separator Plate & Bearing Assembly supplied with P/N GA29AE00 and EA41BS00	
GA29AE00	Dirt Collector Bearing - PVC	
30BE00	Differential Pressure Switch	1
31BE00	Solenoid Valve, 24 Vac, 3-Way, N.O.	1
G32AE00	1/4" Mini Filter with 1/8" port	
G33AE00	Pressure Gauge Enclosure	
G34AE00	Pressure Gauge Enclosure Cover	
Item 35	OMNITROL 400 Controller for AC Operation (with item 31)	
Item 35	OMNITROL 150 Controller for DC Operation (with Item 70)	
G37AE00	Pressure Gauge	
EA41BS00	O-Ring Seal/Retainer	
43BE00	Three Way Mini Valve	
G46AE00	1-1/2" Controlled Outlet Valve Assembly supplied with a Solenoid Valve, 24 Vac, 3-Way, N.C.	
GA50AE13	Dirt Collector Bearing Sleeve - St/St	
G55AE00	Fitting and Tubing Kit	
70BE00	2-Wire Latching Solenoid Valve	
72BE00	1/4" Flow Control Needle Valve	

TYPICAL G/A SERIES FILTER ASSEMBLY

Exploded View For Models G/A-015-LE thru G/A-040-LS



Item	Description
1	Housing, Bottom
2	Housing, Cover
4	Fine Screen Assembly - PVC Supplied with Items 16, 17 & two 18
4A	Fine Screen Assembly - Sintered Supplied with Items 16, 17 & two 18
5	Dirt Collector Assembly Supplied with Items 19, 20, 21, 22 & 50
6	1" Rinse Valve Assembly
7	Hydraulic Piston Assembly
12	Housing/Cover Seal
13	1/2" Housing Bolt - St/St
14	1/2" Housing/Cover Washer - St/St
16	Shaft Bearing/Upper Bearing - Brass
17	Fine Screen Handle
18	Fine Screen Seal
19	Dirt Collector Shaft
20	Dirt Collector Nozzle - PVC
21	Hydraulic Motor - PVC
22	Dirt Collector Locking Plug - St/St
28	Separator Plate & Bearing Assembly
29	Dirt Collector Bearing - Delrin
31	Solenoid Valve, 24 Vac, 3-Way, N.O.
32	1/4" Mini Filter with 1/8" Port
33	Pressure Gauge Enclosure
34	Pressure Gauge Enclosure Cover
35	Controller
37	Pressure Gauge
41	O-Ring Seal & Retainer
43	Three Way Mini Valve
50	Dirt Collector Bearing Sleeve
70	2-Wire Latch Solenoid Valve

Items 31 & 35 are shown for AC powered 400 Controller. For DC Controller operation, a Two-Wire Latch Solenoid, Item 70, replaces Item 31, & a 150 Controller powered by batteries replaces Item 35.

10221034	Silicon Tube	1
10221035	Teflon Tape	1

* Z - 5, Y - 10, A - 15, B - 25, C - 30, D - 40, E - 50, F - 80, G - 100, H - 120, J - 150, K - 200, R - 300, L - 400, M - 800, N - 1000,

P - 1500, Q - 3000. All screen sizes are in microns.

** 5 & 10 micron screens are \$1,065.00; 15 & 20 micron screens are \$859.00; 25, 30, & 40 micron screens are \$653.00

Wedge Wire & Multi-Layered, Sintered Stainless Steel Screen are also available. Please contact Rain Bird for additional details.

Part Number	HS-G-02-LE Spare Parts Description	Recommended Spares
G01BE00	Housing, Bottom	
GA02AE00	Housing, Cover	
GA4*AE00	Fine Screen Assembly (50 - 3000 micron only)** supplied with P/N 16BE00, 17BE00, and two E18BS00	1
GA05AE00	Dirt Collector Assembly supplied with P/N GA19AE13, two G20AE00, GA21AE00, G22AE13, and GA50AE13	1
G05AE0A	Dirt Collector Threaded Cap - PVC (2 req'd)	
G06AE00	1" Rinse Valve Assembly	1
GA07AE13	Hydraulic Piston Assembly	1
G7ACE13	Hydraulic Piston Repair Kit	
12BE00	Housing/Cover Seal	1
G13AE13	1/2" Housing Bolt - St/St (6 req'd)	
14BE13	1/2" Housing/Cover Washer - St/St (6 req'd)	
16BE00	Shaft Bearing/Upper Bearing - Brass	1
17BE00	Fine Screen Handle	
E18BS00	Fine Screen Seal (2 req'd)	2
GA19AE13	Dirt Collector Shaft - St/St	
G20AE00	Dirt Collector Nozzle - PVC	
GA21AE00	Hydraulic Motor - PVC	
G22AE13	Dirt Collector Locking Plug - St/St	
GA28AE00	Separator Plate & Bearing Assembly supplied with P/N GA29AE00 and EA41BS00	
GA29AE00	Dirt Collector Bearing - PVC	
30BE00	Differential Pressure Switch	1
31BE00	Solenoid Valve, 24 Vac, 3-Way, N.O.	1
G32AE00	1/4" Mini Filter with 1/8" port	
G33AE00	Pressure Gauge Enclosure	
G34AE00	Pressure Gauge Enclosure Cover	
Item 35	OMNITROL 400 Controller for AC Operation (with item 31)	
Item 35	OMNITROL 150 Controller for DC Operation (with Item 70)	
G37AE00	Pressure Gauge	
EA41BS00	O-Ring Seal/Retainer	
43BE00	Three Way Mini Valve	

G46BE00	2" Controlled Outlet Valve Assembly supplied with a	
	Solenoid Valve, 24 Vac, 3-Way, N.C.	
GA50AE13	Dirt Collector Bearing Sleeve - St/St	
G55AE00	Fitting and Tubing Kit	
70BE00	2-Wire Latching Solenoid Valve	
72BE00	1/4" Flow Control Needle Valve	
10221034	Silicon Tube	1
10221035	Teflon Tape	1

* Z - 5, Y - 10, A - 15, B - 25, C - 30, D - 40, E - 50, F - 80, G - 100, H - 120, J - 150, K - 200, R - 300, L - 400, M - 800, N - 1000,

P - 1500, Q - 3000. All screen sizes are in microns.

** 5 & 10 micron screens are \$1,065.00; 15 & 20 micron screens are \$859.00; 25, 30, & 40 micron screens are \$653.00

Wedge Wire & Multi-Layered, Sintered Stainless Steel Screen are also available. Please contact Rain Bird for additional details.

Part Number	HS-G-03-LE Spare Parts Description	Recommended Spares
G01CE00	Housing, Bottom	
GA02CE00	Housing, Cover	
GA4*CE00	Fine Screen Assembly (50 - 3000 micron only)** supplied	1
	with P/N 16BE00, 17BE00, and two E18BS00	
GA05CE00	Dirt Collector Assembly supplied with P/N GA19CE13, two	1
	G20AE00, GA21AE00, G22AE13, and GA50ACE13	
G05AE0A	Dirt Collector Threaded Cap - PVC (2 req'd)	
G06AE00	1" Rinse Valve Assembly	1
G07CE13	Hydraulic Piston Assembly	1
G7ACE13	Hydraulic Piston Repair Kit	
12BE00	Housing/Cover Seal	1
G13AE13	1/2" Housing Bolt - St/St (6 req'd)	
14BE13	1/2" Housing/Cover Washer - St/St (6 req'd)	
16BE00	Shaft Bearing/Upper Bearing - Brass	1
17BE00	Fine Screen Handle	
E18BS00	Fine Screen Seal (2 req'd)	2
GA19CE13	Dirt Collector Shaft - St/St	
G20AE00	Dirt Collector Nozzle - PVC	
GA21AE00	Hydraulic Motor - PVC	
G22AE13	Dirt Collector Locking Plug - St/St	
GA28AE00	Separator Plate & Bearing Assembly supplied with P/N	
	GA29AE00 and EA41BS00	
GA29AE00	Dirt Collector Bearing - PVC	
30BE00	Differential Pressure Switch	1
31BE00	Solenoid Valve, 24 Vac, 3-Way, N.O.	1
G32AE00	1/4" Mini Filter with 1/8" port	
G33AE00	Pressure Gauge Enclosure	

G34AE00	Pressure Gauge Enclosure Cover	
Item 35	OMNITROL 400 Controller for AC Operation (with item 31)	
Item 35	OMNITROL 150 Controller for DC Operation (with Item 70)	
G37AE00	Pressure Gauge	
EA41BS00	O-Ring Seal/Retainer	
43BE00	Three Way Mini Valve	
46CS00	3" Controlled Outlet Valve Assembly supplied with a Solenoid Valve, 24 Vac, 3-Way, N.C.	
GA50CE13	Dirt Collector Bearing Sleeve - St/St	
G55AE00	Fitting and Tubing Kit	
70BE00	2-Wire Latching Solenoid Valve	
72BE00	1/4" Flow Control Needle Valve	
10221034	Silicon Tube	1
10221035	Teflon Tape	1

* Z - 5, Y - 10, A - 15, B - 25, C - 30, D - 40, E - 50, F - 80, G - 100, H - 120, J - 150, K - 200, R - 300, L - 400, M - 800, N - 1000,

P - 1500, Q - 3000. All screen sizes are in microns.

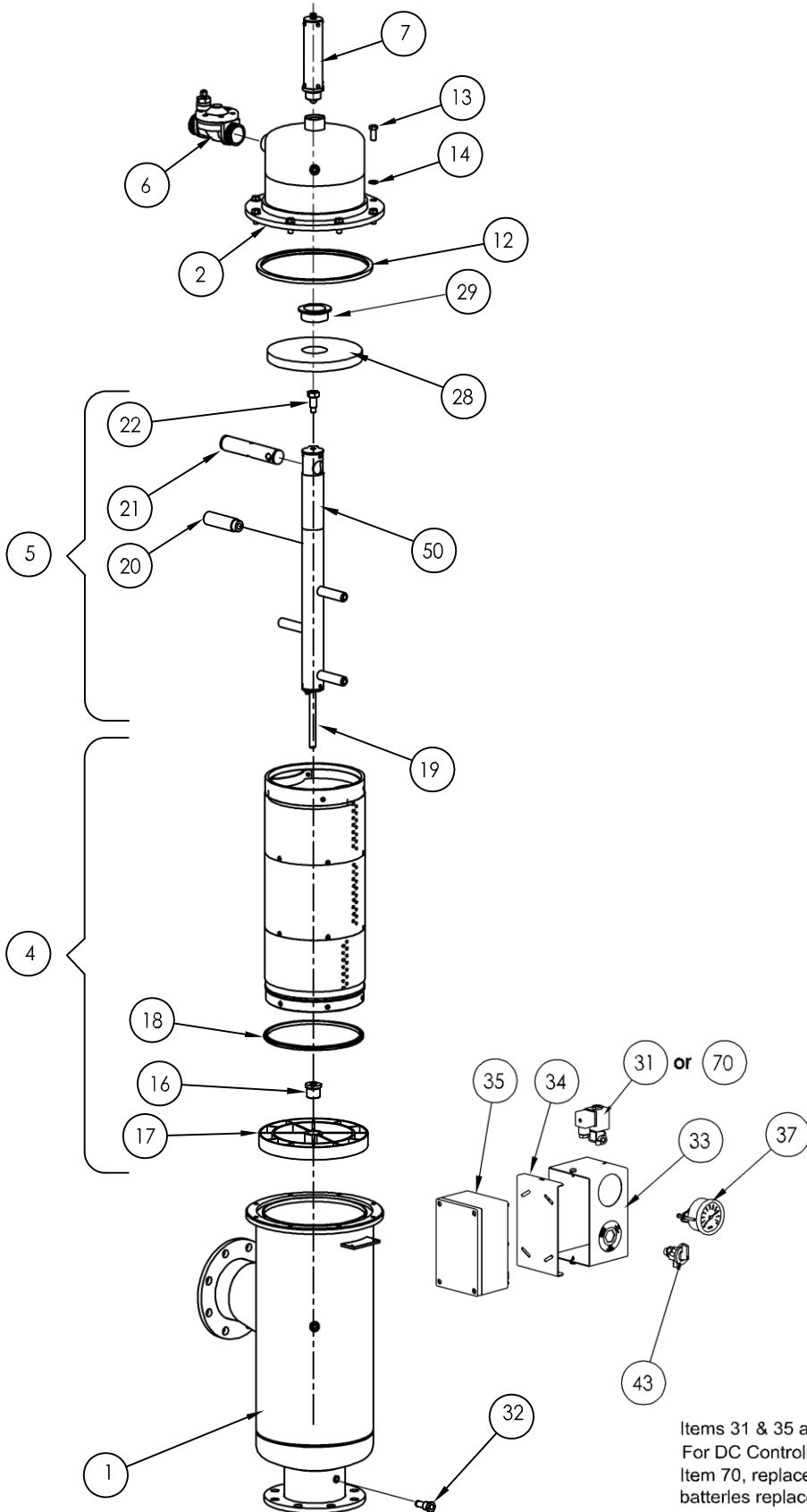
** 5 & 10 micron screens are \$1,249.00; 15 & 20 micron screens are \$1,008.00; 25, 30, & 40 micron screens are \$767.00

Wedge Wire & Multi-Layered, Sintered Stainless Steel Screen are also available. Please contact Rain Bird for additional details.

Part Number	HS-G-04-LS Spare Parts Description	Recommended Spares
G01DS00	Housing, Bottom	
GA02CE00	Housing, Cover	
GA4*CE00	Fine Screen Assembly (50 - 3000 micron only)** supplied with P/N 16BE00, 17BE00, and two E18BS00	1
GA05CE00	Dirt Collector Assembly supplied with P/N GA19CE13, two G20AE00, GA21AE00, G22AE13, and GA50ACE13	1
G05AE0A	Dirt Collector Threaded Cap - PVC (2 req'd)	
G06AE00	1" Rinse Valve Assembly	1
G07CE13	Hydraulic Piston Assembly	1
G7ACE13	Hydraulic Piston Repair Kit	
12BE00	Housing/Cover Seal	1
G13AE13	1/2" Housing Bolt - St/St (6 req'd)	
14BE13	1/2" Housing/Cover Washer - St/St (6 req'd)	
16BE00	Shaft Bearing/Upper Bearing - Brass	1
17BE00	Fine Screen Handle	
E18BS00	Fine Screen Seal (2 req'd)	2
GA19CE13	Dirt Collector Shaft - St/St	
G20AE00	Dirt Collector Nozzle - PVC	
GA21AE00	Hydraulic Motor - PVC	
G22AE13	Dirt Collector Locking Plug - St/St	
GA28AE00	Separator Plate & Bearing Assembly supplied with P/N	

TYPICAL G SERIES FILTER ASSEMBLY

Exploded View For Models G-040-LE thru G-100-LS



Item	Description
1	Housing, Bottom
2	Housing, Cover
4	Fine Screen Assembly - PVC Supplied with Items 16, 17 & two 18
5	Dirt Collector Assembly Supplied with Items 19, 20, 21, 22 & 50
6	1-1/2" Rinse Valve Assembly
7	Hydraulic Piston Assembly
12	Housing/Cover Seal
13	1/2" Housing Bolt - St/St
14	1/2" Housing/Cover Washer - St/St
16	Shaft Bearing/Upper Bearing - St/St
17	Fine Screen Handle
18	Fine Screen Seal
19	Dirt Collector Shaft - Brass
20	Dirt Collector Nozzle - PVC
21	Hydraulic Motor - PVC
22	Dirt Collector Locking Plug - St/St
28	Separator Plate And Bearing Assembly
29	Dirt Collector Bearing - Brass
31	Solenoid Valve, 24 Vac, 3-Way, N.O.
32	1/4" Mini Filter with 1/8" Port
33	Pressure Gauge Enclosure
34	Pressure Gauge Enclosure Cover
35	Controller
37	Pressure Gauge
43	Three Way Mini Valve
50	Dirt Collector Bearing Sleeve - St/St
70	2-Wire Latch Solenoid Valve

Items 31 & 35 are shown for AC powered 400 Controller. For DC Controller operation, a Two-Wire Latch Solenoid, Item 70, replaces Item 31, & a 150 Controller powered by batteries replaces Item 35.

	GA29AE00 and EA41BS00	
GA29AE00	Dirt Collector Bearing - PVC	
30BE00	Differential Pressure Switch	1
31BE00	Solenoid Valve, 24 Vac, 3-Way, N.O.	1
G32AE00	1/4" Mini Filter with 1/8" port	
G33AE00	Pressure Gauge Enclosure	
G34AE00	Pressure Gauge Enclosure Cover	
Item 35	OMNITROL 400 Controller for AC Operation (with item 31)	
Item 35	OMNITROL 150 Controller for DC Operation (with Item 70)	
G37AE00	Pressure Gauge	
EA41BS00	O-Ring Seal/Retainer	
43BE00	Three Way Mini Valve	
46DS00	4" Controlled Outlet Valve Assembly supplied with a	
	Solenoid Valve, 24 Vac, 3-Way, N.C.	
GA50CE13	Dirt Collector Bearing Sleeve - St/St	
G55AE00	Fitting and Tubing Kit	
70BE00	2-Wire Latching Solenoid Valve	
72BE00	1/4" Flow Control Needle Valve	
10221034	Silicon Tube	1
10221035	Teflon Tape	1

* Z - 5, Y - 10, A - 15, B - 25, C - 30, D - 40, E - 50, F - 80, G - 100, H - 120, J - 150, K - 200, R - 300, L - 400, M - 800, N - 1000,

P - 1500, Q - 3000. All screen sizes are in microns.

** 5 & 10 micron screens are \$1,249.00; 15 & 20 micron screens are \$1,008.00; 25, 30, & 40 micron screens are \$767.00

Wedge Wire & Multi-Layered, Sintered Stainless Steel Screen are also available. Please

contact Rain Bird for additional details.

Part Number	HS-G-04-LE Spare Parts Description	Recommended Spares
G01DE00	Housing, Bottom	
G02DE00	Housing, Top	
G4*DE00	Fine Screen Assembly (50 - 3000 micron only)** supplied with P/N 16CE13, 17GS00, and G18DE00	1
G05DE00	Dirt Collector Assembly supplied with P/N G19DE00, four G20DE00, G21DE00, G22CE13, and G50DE13	1
G05DE0A	Dirt Collector Threaded Cap - PVC (2 req'd)	
G06DE00	1-1/2" Rinse Valve Assembly	1
G07DE13	Hydraulic Piston Assembly	1
G7ACE13	Hydraulic Piston Repair Kit	
12GS00	Housing/Cover Seal	1
G13DE13	1/2" Housing Bolt - St/St (8 req'd)	
14BE13	1/2" Housing/Cover Washer - St/St (8 req'd)	
16CE13	Shaft Bearing/Upper Bearing - St/St	1
17GS00	Fine Screen Handle	

G18DE00	Fine Screen Seal (2 req'd)	2
G19DE00	Dirt Collector Shaft - Brass	
G20DE00	Dirt Collector Nozzle - PVC	
G21DE00	Hydraulic Motor - PVC	
G22CE13	Dirt Collector Locking Plug - St/St	
G28DE00	Separator Plate and Bearing Assembly supplied with P/N G29DE00	
G29DE00	Dirt Collector Bearing - Brass	
30BE00	Differential Pressure Switch	1
31BE00	Solenoid Valve, 24 Vac, 3-Way, N.O.	1
G32DE00	1/4" Mini Filter with 1/8" port	
G33AE00	Pressure Gauge Enclosure	
G34AE00	Pressure Gauge Enclosure Cover	
G37AE00	Pressure Gauge	
43BE00	Three Way Mini Valve	
46DS00	4" Controlled Outlet Valve Assembly supplied with a Solenoid Valve, 24 Vac, 3-Way, N.C.	
G50DE13	Dirt Collector Bearing Sleeve - St/St	
G55DE00	Fitting and Tubing Kit	
70BE00	2-Wire Latching Solenoid Valve	
72BE00	1/4" Flow Control Needle Valve	
10221034	Silicon Tube	1
10221035	Teflon Tape	1

* Z - 5, Y - 10, A - 15, B - 25, C - 30, D - 40, E - 50, F - 80, G - 100, H - 120, J - 150, K - 200, R - 300, L - 400, M - 800, N - 1000,

P - 1500, Q - 3000. All screen sizes are in microns.

** 15 & 25 micron screens are priced at \$2,341.00 each; 30 & 40 micron screens are priced at \$2,112.00 each

Wedge Wire & Multi-Layered, Sintered Stainless Steel Screen are also available. Please contact Rain Bird for additional details.

Part Number	HS-G-06-LS Spare Parts Description	Recommended Spares
G01ES00	Housing, Bottom	
G02DE00	Housing, Top	
G4*DE00	Fine Screen Assembly (50 - 3000 micron only)** supplied with P/N 16CE13, 17GS00, and G18DE00	1
G05DE00	Dirt Collector Assembly supplied with P/N G19DE00, four G20DE00, G21DE00, G22CE13, and G50DE13	1
G05DE0A	Dirt Collector Threaded Cap - PVC (2 req'd)	
G06DE00	1-1/2" Rinse Valve Assembly	1
G07DE13	Hydraulic Piston Assembly	1
G7ACE13	Hydraulic Piston Repair Kit	
12GS00	Housing/Cover Seal	1
G13DE13	1/2" Housing Bolt - St/St (8 req'd)	

14BE13	1/2" Housing/Cover Washer - St/St (8 req'd)	
16CE13	Shaft Bearing/Upper Bearing - St/St	1
17GS00	Fine Screen Handle	
G18DE00	Fine Screen Seal (2 req'd)	2
G19DE00	Dirt Collector Shaft - Brass	
G20DE00	Dirt Collector Nozzle - PVC	
G21DE00	Hydraulic Motor - PVC	
G22CE13	Dirt Collector Locking Plug - St/St	
G28DE00	Separator Plate and Bearing Assembly supplied with P/N	
	G29DE00	
G29DE00	Dirt Collector Bearing - Brass	
30BE00	Differential Pressure Switch	1
31BE00	Solenoid Valve, 24 Vac, 3-Way, N.O.	1
G32DE00	1/4" Mini Filter with 1/8" port	
G33AE00	Pressure Gauge Enclosure	
G34AE00	Pressure Gauge Enclosure Cover	
G37AE00	Pressure Gauge	
43BE00	Three Way Mini Valve	
46EE00	6" Controlled Outlet Valve Assembly supplied with a Solenoid Valve, 24 Vac, 3-Way, N.C.	
G50DE13	Dirt Collector Bearing Sleeve - St/St	
G55DE00	Fitting and Tubing Kit	
70BE00	2-Wire Latching Solenoid Valve	
72BE00	1/4" Flow Control Needle Valve	
10221034	Silicon Tube	1
10221035	Teflon Tape	1

* Z - 5, Y - 10, A - 15, B - 25, C - 30, D - 40, E - 50, F - 80, G - 100, H - 120, J - 150, K - 200, R - 300, L - 400, M - 800, N - 1000,

P - 1500, Q - 3000. All screen sizes are in microns.

** 15 & 25 micron screens are priced at \$2,341.00 each; 30 & 40 micron screens are priced at \$2,112.00 each

Wedge Wire & Multi-Layered, Sintered Stainless Steel Screen are also available.

Part Number	HS-G-06-LE Spare Parts Description	Recommended Spares
G01EE00	Housing, Bottom	
G02DE00	Housing, Top	
G4*EE00	Fine Screen Assembly (50 - 3000 micron only)** supplied with P/N 16CE13, 17GS00, and G18DE00	1
G05EE00	Dirt Collector Assembly supplied with P/N G19DE00, six G20DE00, G21DE00, G22CE13, and G50DE13	1
G05DE0A	Dirt Collector Threaded Cap - PVC (2 req'd)	
G06DE00	1-1/2" Rinse Valve Assembly	1
G07DE13	Hydraulic Piston Assembly	1
G7ACE13	Hydraulic Piston Repair Kit	

12GS00	Housing/Cover Seal	1
G13DE13	1/2" Housing Bolt - St/St (8 req'd)	
14BE13	1/2" Housing/Cover Washer - St/St (8 req'd)	
16CE13	Shaft Bearing/Upper Bearing - St/St	1
17GS00	Fine Screen Handle	
G18DE00	Fine Screen Seal (2 req'd)	2
G19DE00	Dirt Collector Shaft - Brass	
G20DE00	Dirt Collector Nozzle - PVC	
G21DE00	Hydraulic Motor - PVC	
G22CE13	Dirt Collector Locking Plug - St/St	
G28DE00	Separator Plate and Bearing Assembly supplied with P/N G29DE00	
G29DE00	Dirt Collector Bearing - Brass	
30BE00	Differential Pressure Switch	1
31BE00	Solenoid Valve, 24 Vac, 3-Way, N.O.	1
G32DE00	1/4" Mini Filter with 1/8" port	
G33AE00	Pressure Gauge Enclosure	
G34AE00	Pressure Gauge Enclosure Cover	
G37AE00	Pressure Gauge	
43BE00	Three Way Mini Valve	
46EE00	6" Controlled Outlet Valve Assembly supplied with a Solenoid Valve, 24 Vac, 3-Way, N.C.	
G50DE13	Dirt Collector Bearing Sleeve - St/St	
G55DE00	Fitting and Tubing Kit	
70BE00	2-Wire Latching Solenoid Valve	
72BE00	1/4" Flow Control Needle Valve	
10221034	Silicon Tube	1
10221035	Teflon Tape	1

* Z - 5, Y - 10, A - 15, B - 25, C - 30, D - 40, E - 50, F - 80, G - 100, H - 120, J - 150, K - 200, R - 300, L - 400, M - 800, N - 1000,

P - 1500, Q - 3000. All screen sizes are in microns.

** 15 & 25 micron screens are priced at \$3,498.00 each; 30 & 40 micron screens are priced at \$2,811.00 each

Wedge Wire & Multi-Layered, Sintered Stainless Steel Screen are also available. Please contact Rain Bird for additional details.

Part Number	HS-G-08-LS Spare Parts Description	Recommended Spares
G01FS00	Housing, Bottom	
G02DE00	Housing, Top	
G4*EE00	Fine Screen Assembly (50 - 3000 micron only)** supplied with P/N 16CE13, 17GS00, and G18DE00	1
G05EE00	Dirt Collector Assembly supplied with P/N G19DE00, six G20DE00, G21DE00, G22CE13, and G50DE13	1
G05DE0A	Dirt Collector Threaded Cap - PVC (2 req'd)	

G06DE00	1-1/2" Rinse Valve Assembly	1
G07DE13	Hydraulic Piston Assembly	1
G7ACE13	Hydraulic Piston Repair Kit	
12GS00	Housing/Cover Seal	1
G13DE13	1/2" Housing Bolt - St/St (8 req'd)	
14BE13	1/2" Housing/Cover Washer - St/St (8 req'd)	
16CE13	Shaft Bearing/Upper Bearing - St/St	1
17GS00	Fine Screen Handle	
G18DE00	Fine Screen Seal (2 req'd)	2
G19DE00	Dirt Collector Shaft - Brass	
G20DE00	Dirt Collector Nozzle - PVC	
G21DE00	Hydraulic Motor - PVC	
G22CE13	Dirt Collector Locking Plug - St/St	
G28DE00	Separator Plate and Bearing Assembly supplied with P/N G29DE00	
G29DE00	Dirt Collector Bearing - Brass	
30BE00	Differential Pressure Switch	1
31BE00	Solenoid Valve, 24 Vac, 3-Way, N.O.	1
G32DE00	1/4" Mini Filter with 1/8" port	
G33AE00	Pressure Gauge Enclosure	
G34AE00	Pressure Gauge Enclosure Cover	
G37AE00	Pressure Gauge	
43BE00	Three Way Mini Valve	
46FS00	8" Controlled Outlet Valve Assembly supplied with a Solenoid Valve, 24 Vac, 3-Way, N.C.	
G50DE13	Dirt Collector Bearing Sleeve - St/St	
G55DE00	Fitting and Tubing Kit	
70BE00	2-Wire Latching Solenoid Valve	
72BE00	1/4" Flow Control Needle Valve	
10221034	Silicon Tube	1
10221035	Teflon Tape	1

* Z - 5, Y - 10, A - 15, B - 25, C - 30, D - 40, E - 50, F - 80, G - 100, H - 120, J - 150, K - 200, R - 300, L - 400, M - 800, N - 1000,

P - 1500, Q - 3000. All screen sizes are in microns.

** 15 & 25 micron screens are priced at \$3,498.00 each; 30 & 40 micron screens are priced at \$2,811.00 each

Wedge Wire & Multi-Layered, Sintered Stainless Steel Screen are also available. Please contact Rain Bird for additional details.

Part Number	HS-G-10-LS Spare Parts Description	Recommended Spares
G01GS00	Housing, Bottom	
G02DE00	Housing, Top	
G4*EE00	Fine Screen Assembly (50 - 3000 micron only)** supplied with P/N 16CE13, 17GS00, and G18DE00	1

G05EE00	Dirt Collector Assembly supplied with P/N G19DE00, six G20DE00, G21DE00, G22CE13, and G50DE13	1
G05DE0A	Dirt Collector Threaded Cap - PVC (2 req'd)	
G06DE00	1-1/2" Rinse Valve Assembly	1
G07DE13	Hydraulic Piston Assembly	1
G7ACE13	Hydraulic Piston Repair Kit	
12GS00	Housing/Cover Seal	1
G13DE13	1/2" Housing Bolt - St/St (8 req'd)	
14BE13	1/2" Housing/Cover Washer - St/St (8 req'd)	
16CE13	Shaft Bearing/Upper Bearing - St/St	1
17GS00	Fine Screen Handle	
G18DE00	Fine Screen Seal (2 req'd)	2
G19DE00	Dirt Collector Shaft - Brass	
G20DE00	Dirt Collector Nozzle - PVC	
G21DE00	Hydraulic Motor - PVC	
G22CE13	Dirt Collector Locking Plug - St/St	
G28DE00	Separator Plate and Bearing Assembly supplied with P/N G29DE00	
G29DE00	Dirt Collector Bearing - Brass	
30BE00	Differential Pressure Switch	1
31BE00	Solenoid Valve, 24 Vac, 3-Way, N.O.	1
G32DE00	1/4" Mini Filter with 1/8" port	
G33AE00	Pressure Gauge Enclosure	
G34AE00	Pressure Gauge Enclosure Cover	
G37AE00	Pressure Gauge	
43BE00	Three Way Mini Valve	
46GS00	10" Controlled Outlet Valve Assembly supplied with a Solenoid Valve, 24 Vac, 3-Way, N.C.	
G50DE13	Dirt Collector Bearing Sleeve - St/St	
G55DE00	Fitting and Tubing Kit	
70BE00	2-Wire Latching Solenoid Valve	
72BE00	1/4" Flow Control Needle Valve	
10221034	Silicon Tube	1
10221035	Teflon Tape	1

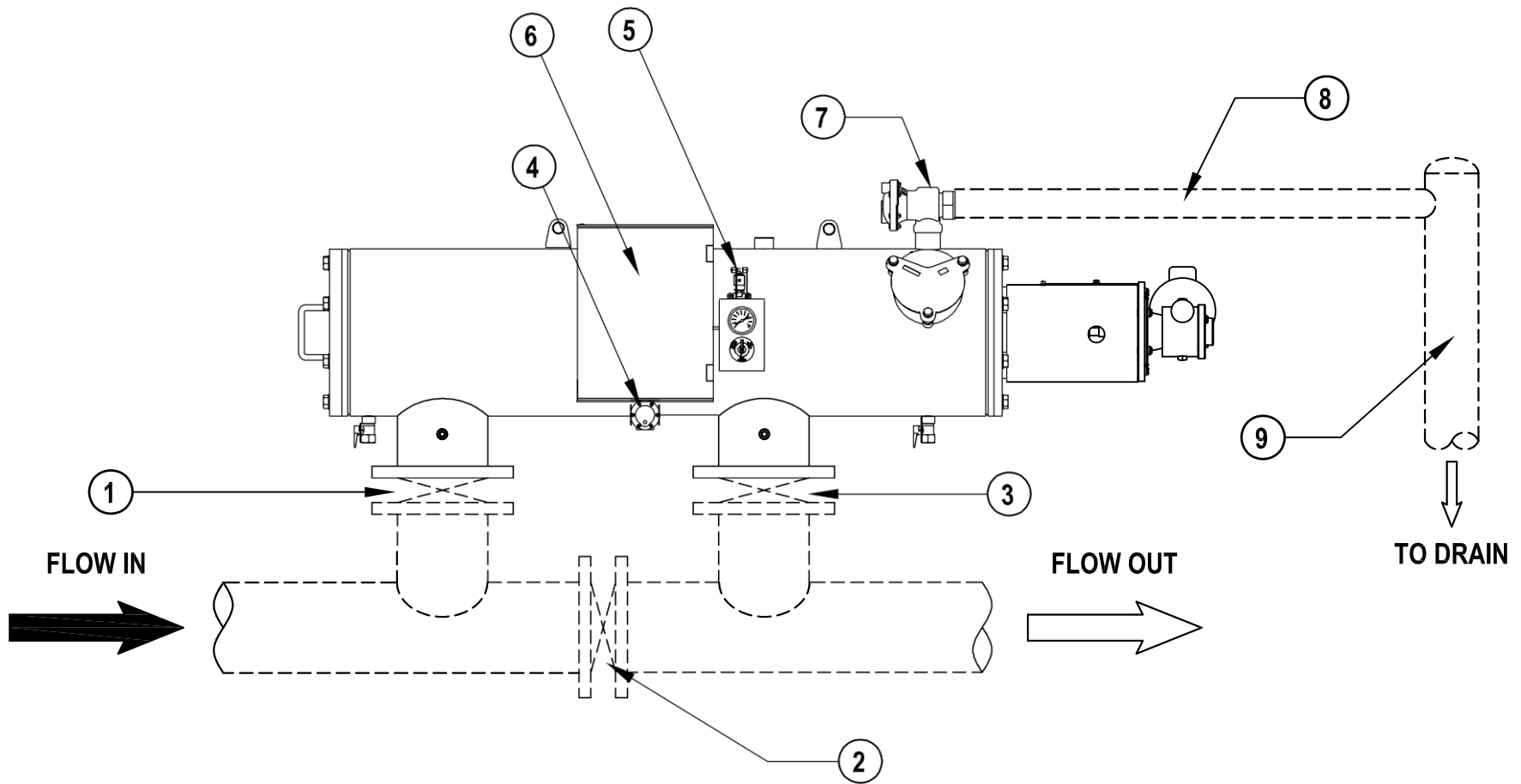
* Z - 5, Y - 10, A - 15, B - 25, C - 30, D - 40, E - 50, F - 80, G - 100, H - 120, J - 150, K - 200, R - 300, L - 400, M - 800, N - 1000,

P - 1500, Q - 3000. All screen sizes are in microns.

** 15 & 25 micron screens are priced at \$3,498.00 each; 30 & 40 micron screens are priced at \$2,811.00 each

Wedge Wire & Multi-Layered, Sintered Stainless Steel Screen are also available.

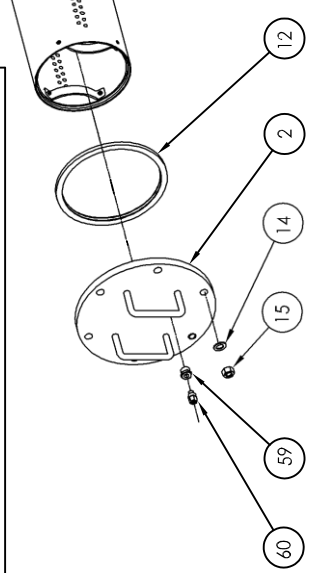
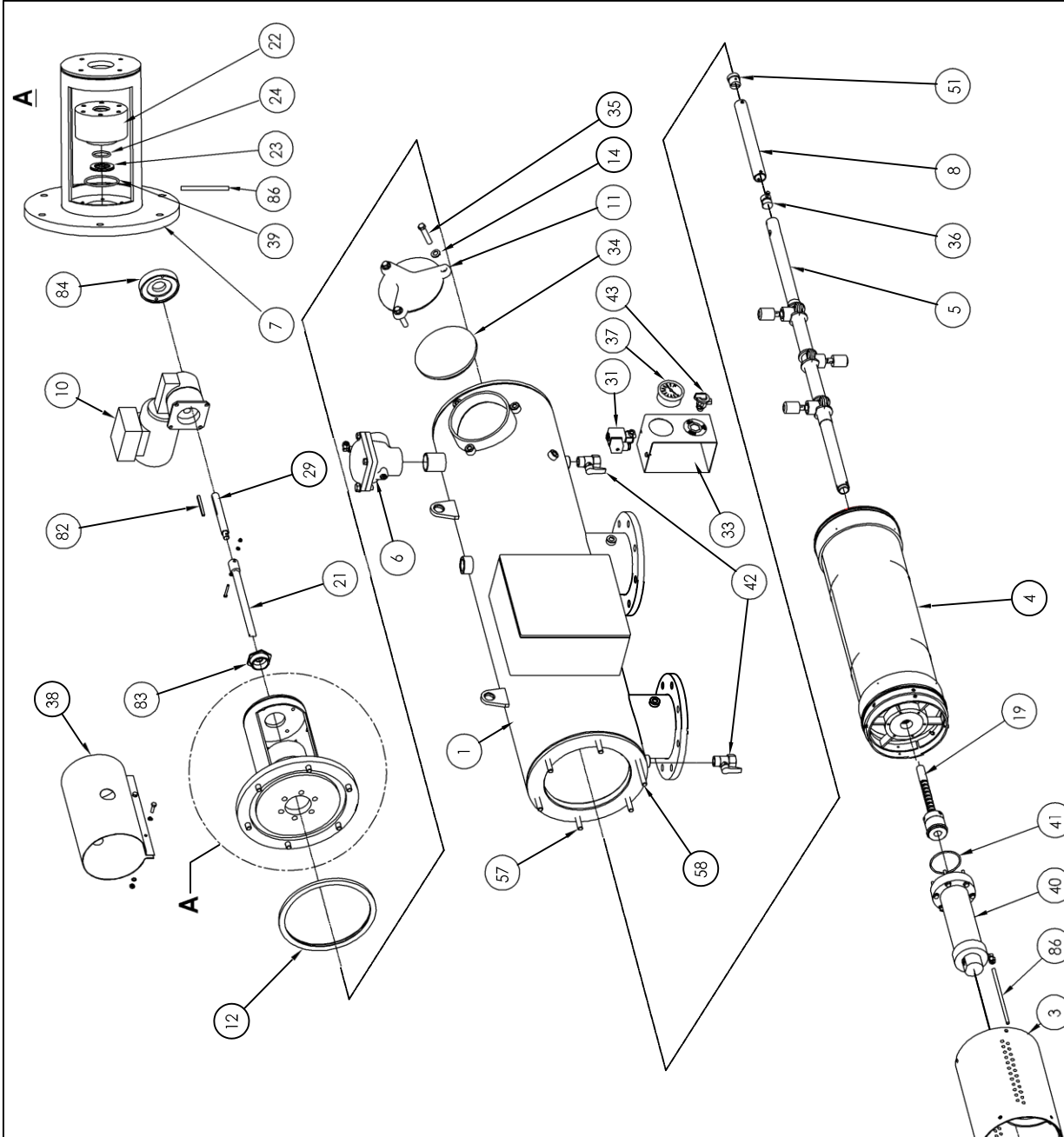
Please contact Rain Bird for additional details.



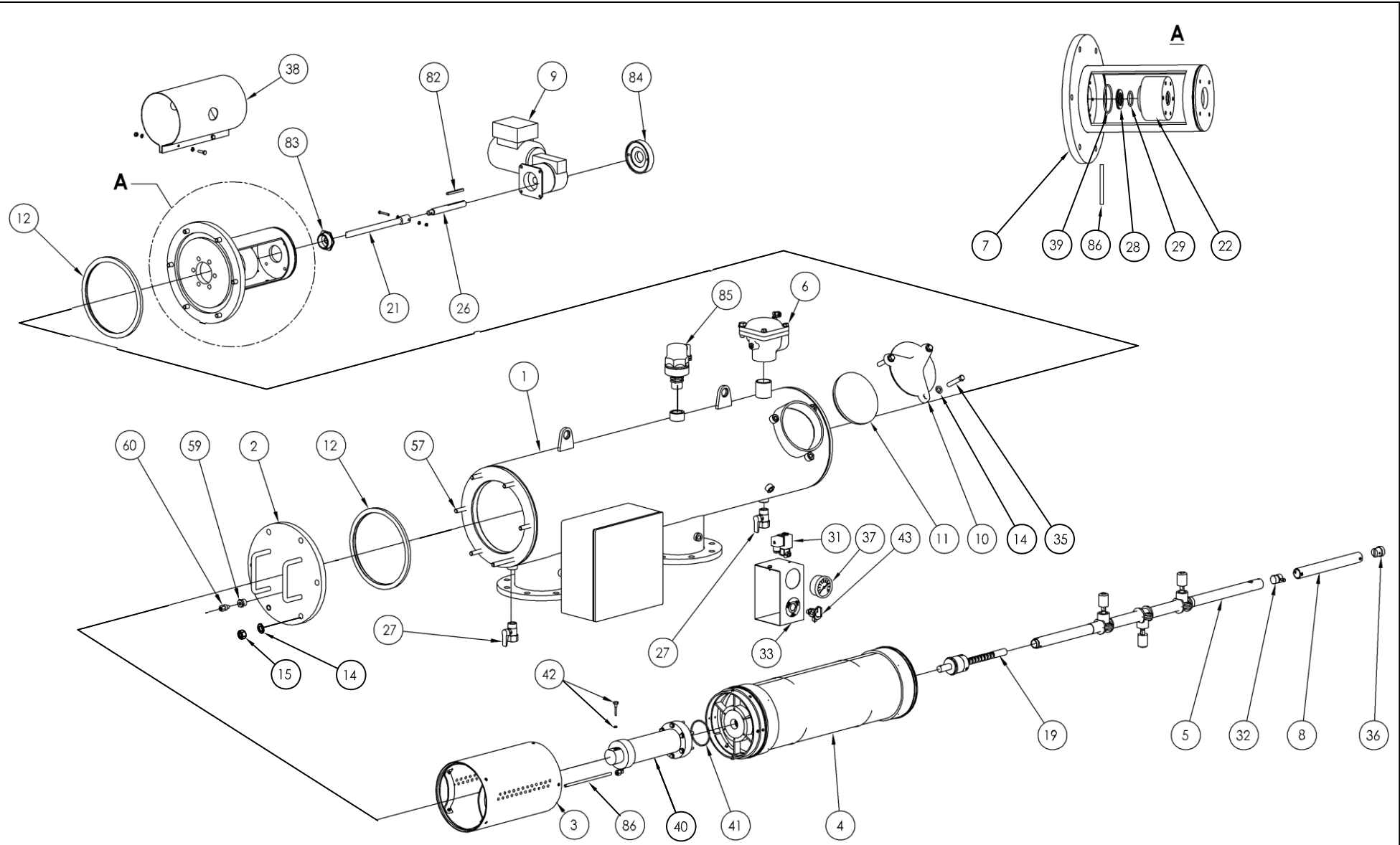
9	Drain Header	Customer Supplied
8	Drain Line	Customer Supplied
7	Rinse Valve	Supplied with Filter
6	4000E Controller	In NEMA 4X Enclosure
5	3-Way NO Solenoid Valve	24 Vac, 60 Hz, N.C.
4	Differential Pressure Switch	Preset to 7 psi
3	Outlet Isolation Valve	Customer Supplied
2	System Bypass Valve	Customer Supplied
1	Inlet Isolation Valve	Customer Supplied
No.	Description	Notes

DWG. NO.	SCALE: NONE	INSTALLATION LAYOUT FOR A TYPICAL ON-LINE E SERIES FILTER WITH BYPASS RAIN BIRD CORPORATION 6991 EAST SOUTHPOINT ROAD TUCSON, AZ 85756
DRAWN BY:	DATE:	

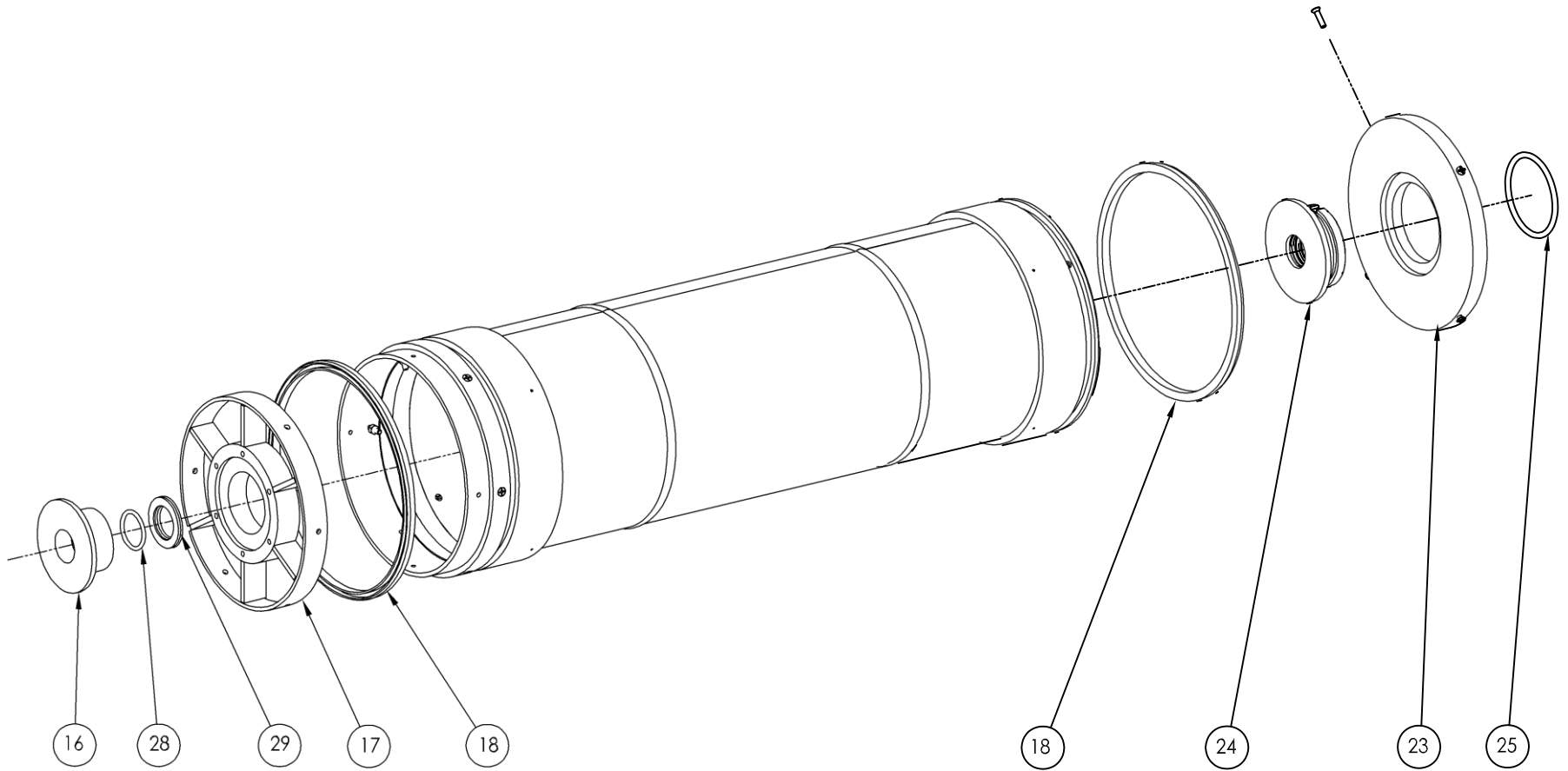
FIND	DESCRIPTION
1	FILTER BODY
2	FILTER FRONT COVER
3	COARSE SCREEN ASSEMBLY
4	FINE SCREEN ASSEMBLY
5	DIRT COLLECTOR ASSEMBLY
6	RINSE VALVE ASSEMBLY
7	REAR COVER & MOTOR SUPPORT
8	DIRT COLLECTOR EXTENSION SHAFT
10	1/4 HP GEARED MOTOR ASSEMBLY
11	CHAMBER SERVICE PORT COVER
12	COVER SEAL
14	COVER WASHER
15	COVER HEX NUT
19	LINEAR MOTION SHAFT
21	DRIVE SHAFT
22	DIRT COLLECTOR REAR HOUSING
23	FRONT & REAR DIRT COLLECTOR HOUSING O-RING
24	FRONT & REAR DIRT COLLECTOR HOUSING SEAL SET
29	MOTOR EXTENSION SHAFT
31	3-WAY SOLENOID VALVE
33	PRESSURE GAUGE ENCLOSURE
34	CHAMBER SERVICE PORT COVER SEAL
35	CHAMBER SERVICE PORT COVER BOLT
36	DIRT COLLECTOR SHAFT COUPLING
37	PRESSURE GAUGE
38	DRIVE SHAFT & MOTOR SUPPORT COVER
39	DIRT COLLECTOR REAR SUPPORT HOUSING O-RING
40	LINEAR MOTION SHAFT COVER
41	LINEAR MOTION SHAFT COVER O-RING
42	BOTTOM DRAIN BALL VALVE
43	3-WAY MINI-VALVE
51	DRIVE SHAFT SLOTTED DRIVE BUSHING
57	FRONT COVER STUD
58	FRONT COVER LONG STUD
59	FRONT COVER BUSHING
60	FRONT COVER TUBING SEAL FITTING
82	MOTOR EXTENSION SHAFT KEY
83	MOTOR CENTERING BUSHING
84	MOTOR END COVER
86	VENT TUBE



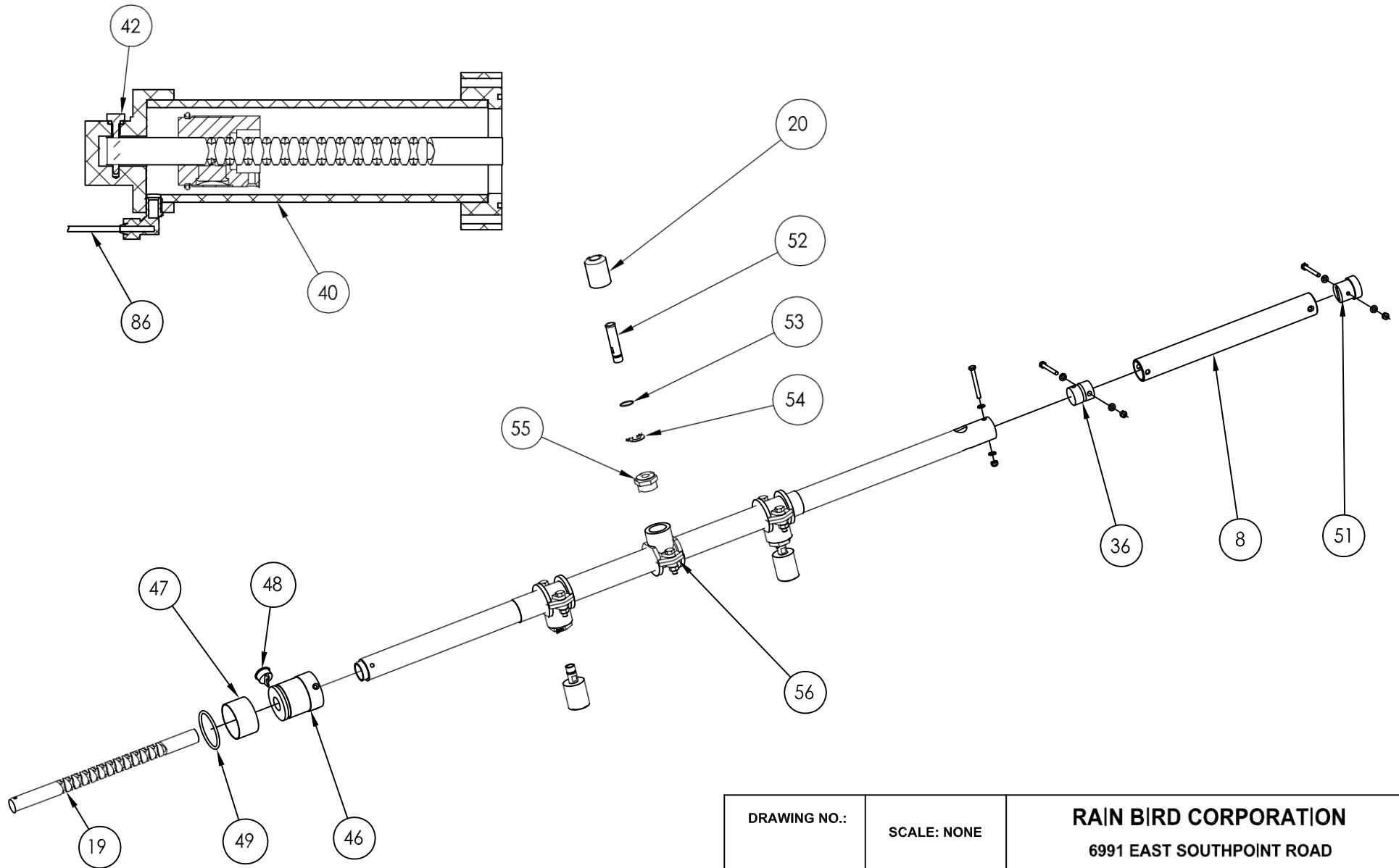
DRAWING NO.: 7100	SCALE: NONE
DRAWN BY: G KALINOWSKI	DATE: 03/01/13



DRAWING NO.:	SCALE: NONE	RAIN BIRD CORPORATION 6991 EAST SOUTHPOINT ROAD TUCSON, AZ 85756
DRAWN BY:	DATE:	
TYPICAL E SERIES FILTER ASSEMBLY DRAWING SEE EXACT MODEL'S PARTS LIST FOR PART IDENTIFICATION		



DRAWING NO.:	SCALE: NONE	RAIN BIRD CORPORATION 6991 EAST SOUTHPOINT ROAD TUCSON, AZ 85756
DRAWN BY:	DATE:	



DRAWING NO.:	SCALE: NONE	RAIN BIRD CORPORATION 6991 EAST SOUTHPOINT ROAD TUCSON, AZ 85756
DRAWN BY:	DATE:	

E-Series Spare Parts

Identifier number in manual	Model ES-E-03-PS			
	Quantity Ordered		Description	Recommended Spares
2		EA02BS00	Front Cover	
3		EA03BS00	Coarse Screen Assembly	
4		EA4*BS17	Fine Screen Assembly supplied with P/N EA17BS00, (2) BE18BS00, EA23BS00, EA24BS00 & EA25BS00	
5		EA05BS13	Dirt Collector Assembly supplied with P/N EA20BS00, EA52BS13, EA53BS00, EA54BS00, EA55BS00, EA56BS00	
6		EA06BS00	1-1/2" Rinse Valve Assembly	
7		EA07BS00	Rear Cover & Motor Support	
8		EA08BS13	Dirt Collector Extension Shaft - St/St	
9		EA09BS12	1/4 Hp Geared Motor Assembly - 1ph,120v, 60 Hz - R28	
9		EA09BS23	1/4 Hp Geared Motor Assembly - 1ph, 230v, 50 Hz - R28	
10		EA10BS00	Chamber Service Port Cover	
11		EA11BS00	Chamber Service Port Cover Seal	1
12		12BE00	Cover Seal	1
13		EA13BS13	Rear Cover Hex Bolt - 1/2" St/St	
14		14BE13	Cover Washer - 1/2" St/St	
15		15BE13	Front Cover Hex Nut - 1/2" St/St	
16		EA16BS00	Dirt Collector Front Support Housing - Delrin	1
17		EA17BS00	Fine Screen Handle	
18		E18BS00	Fine Screen Seal	2
19		EA19BS00	Linear Motion Shaft - Navel Brass	1
20		EA20BS00	Adjustable Nozzle - Delrin	6
21		EA21BS13	Drive Shaft - St/St	1
22		EA22BS00	Dirt Collector Rear Support Housing - Delrin	
23		EA23BS00	Dirt Collector Screen Guide Disc - PVC	
24		EA24BS00	Dirt Collector Screen Guide - Delrin	1
25		EA25BS00	Dirt Collector Screen Guide O-Ring	
26		EA26BS13	Drive Motor Extension Shaft - St/St	
27		EA27BS00	Bottom Drain Valve	
28		EA28BS00	Front & Rear Dirt Collector Support Housing O-Ring	2
29		EA29BS00	Front & Rear Dirt Collector Support Housing Seal Set	2
30		30BE00	Differential Pressure Switch	
31		31BE00	Solenoid Valve, 24 Vac, 3-Way, N.O.	1
32		G32AE00	1/4" Mini Filter with 1/8" Port	2
33		G33AE00	Pressure Gauge Enclosure	
34		G34AE00	Pressure Gauge Enclosure Cover (optional)	
35		EA35BS13	Chamber Service Port Cover Bolt - 1/2" St/St	

36		EA36BS00	Dirt Collector Shaft Coupling	1
37		G37AE00	Pressure Gauge	
38		EA38BS13	Drive Shaft & Motor Support Cover - St/St	
39		EA39BS00	Dirt Collector Rear Support Housing - O-Ring	1
40		EA40BS00	Linear Motion Shaft Cover - PVC	
41		EA41BS00	O-Ring Seal/Retainer	1
42		EA42BS13	Linear Motion Shaft Pin & O-Ring Set	1
43		43BE00	Three Way Mini Valve	
44		EA44BS13	Linear Motion Shaft Cover Bolt - 1/4" - St/St	
45		EA45BS13	Linear Motion Shaft Cover Washer - 1/4" St/St	
46		EA46BS13	Linear Motion Shaft Bushing - St/St	1
47		EA47BS13	Linear Motion Shaft Bushing Cover - St/St	
48		EA48BS13	Linear Motion Shaft Drive Pin - St/St	1
49		EA49BS00	Linear Motion Shaft Bushing Cover O-Ring	
50		EA50BS13	Linear Motion Shaft Bushing Screws - St/St	
51		EA51BS00	Drive Shaft Slotted Drive Bushing	1
52		EA52BS13	Nozzle Stem - St/St	
53		EA53BS00	Nozzle Stop O-Ring	
54		EA54BS00	Nozzle Retaining Clip	
55		EA55BS00	Nozzle Stem Bushing	
56		EA56BS00	Nozzle Base & Clamp Assembly with hardware	
57		EA57BS13	Front Cover Stud - 1/2" - St/St	
58		EA58BS13	Front Cover Long Stud - 1/2" - St/St	
59		EA59BS00	Front Cover Bushing	
60		EA60BS00	Front Cover Tubing Seal Fitting	
		EA79BS00	Single Use Silicone Grease Tube	1
		EA80BS00	Aluminum Complex Grease - small tube	1
		EA81BS00	Thread Locking Compound	
82		EA82BS13	Drive Motor Extension shaft Drive Key - St/St	
83		EA83BS00	Motor Centering Bushing	
84		EA84BS00	Motor Cover	
85		EA85BS00	1" Pressure Relief Valve (optional)	
86		EA86BS00	8 mm Vent Tube - 5 foot	
		EA87BS00	Tubing & Fitting Kit	
		EA88BS00	1" Plug	

* E - 50, F - 80, G - 100, H - 120, J - 150, K - 200, R - 300, L - 400, M - 800, N - 1000, P - 1500, Q - 3000.

All screen sizes are in microns.

Fine screens below 50 microns are also available. Contact Rain Bird for current pricing.

Identifier number in manual	Model ES-E-03-PS			
	Quantity Ordered	Part Number	Description	Recommended Spares
2		EA02BS00	Front Cover	
3		EA03DS00	Coarse Screen Assembly	
4		EA4*DS17	Fine Screen Assembly supplied with P/N EA17BS00, (2) BE18BS00, EA23BS00, EA24BS00 & EA25BS00	
5		EA05DS13	Dirt Collector Assembly supplied with P/N EA20BS00, EA52BS13, EA53BS00, EA54BS00, EA55BS00, EA56BS00	
6		EA06BS00	1-1/2" Rinse Valve Assembly	
7		EA07BS00	Rear Cover & Motor Support	
8		EA08BS13	Dirt Collector Extension Shaft - St/St	
9		EA09BS12	1/4 Hp Geared Motor Assembly - 1ph,120v, 60 Hz - R28	
9		EA09BS23	1/4 Hp Geared Motor Assembly - 1ph, 230v, 50 Hz - R28	
10		EA10BS00	Chamber Service Port Cover	
11		EA11BS00	Chamber Service Port Cover Seal	1
12		12BE00	Cover Seal	1
13		EA13BS13	Rear Cover Hex Bolt - 1/2" St/St	
14		14BE13	Cover Washer - 1/2" St/St	
15		15BE13	Front Cover Hex Nut - 1/2" St/St	
16		EA16BS00	Dirt Collector Front Support Housing - Delrin	1
17		EA17BS00	Fine Screen Handle	
18		E18BS00	Fine Screen Seal	2
19		EA19BS00	Linear Motion Shaft - Navel Brass	1
20		EA20BS00	Adjustable Nozzle - Delrin	6
21		EA21BS13	Drive Shaft - St/St	1
22		EA22BS00	Dirt Collector Rear Support Housing - Delrin	
23		EA23BS00	Dirt Collector Screen Guide Disc - PVC	
24		EA24BS00	Dirt Collector Screen Guide - Delrin	1
25		EA25BS00	Dirt Collector Screen Guide O-Ring	
26		EA26BS13	Drive Motor Extension Shaft - St/St	
27		EA27BS00	Bottom Drain Valve	
28		EA28BS00	Front & Rear Dirt Collector Support Housing O-Ring	2
29		EA29BS00	Front & Rear Dirt Collector Support Housing Seal Set	2
30		30BE00	Differential Pressure Switch	
31		31BE00	Solenoid Valve, 24 Vac, 3-Way, N.O.	1
32		G32AE00	1/4" Mini Filter with 1/8" Port	2
33		G33AE00	Pressure Gauge Enclosure	
34		G34AE00	Pressure Gauge Enclosure Cover (optional)	
35		EA35BS13	Chamber Service Port Cover Bolt - 1/2" St/St	
36		EA36BS00	Dirt Collector Shaft Coupling	1
37		G37AE00	Pressure Gauge	

38		EA38BS13	Drive Shaft & Motor Support Cover - St/St	
39		EA39BS00	Dirt Collector Rear Support Housing - O-Ring	1
40		EA40BS00	Linear Motion Shaft Cover - PVC	
41		EA41BS00	O-Ring Seal/Retainer	1
42		EA42BS13	Linear Motion Shaft Pin & O-Ring Set	1
43		43BE00	Three Way Mini Valve	
44		EA44BS13	Linear Motion Shaft Cover Bolt - 1/4" - St/St	
45		EA45BS13	Linear Motion Shaft Cover Washer - 1/4" St/St	
46		EA46BS13	Linear Motion Shaft Bushing - St/St	1
47		EA47BS13	Linear Motion Shaft Bushing Cover - St/St	
48		EA48BS13	Linear Motion Shaft Drive Pin - St/St	1
49		EA49BS00	Linear Motion Shaft Bushing Cover O-Ring	
50		EA50BS13	Linear Motion Shaft Bushing Screws - St/St	
51		EA51BS00	Drive Shaft Slotted Drive Bushing	1
52		EA52BS13	Nozzle Stem - St/St	
53		EA53BS00	Nozzle Stop O-Ring	
54		EA54BS00	Nozzle Retaining Clip	
55		EA55BS00	Nozzle Stem Bushing	
56		EA56BS00	Nozzle Base & Clamp Assembly with hardware	
57		EA57BS13	Front Cover Stud - 1/2" - St/St	
58		EA58BS13	Front Cover Long Stud - 1/2" - St/St	
59		EA59BS00	Front Cover Bushing	
60		EA60BS00	Front Cover Tubing Seal Fitting	
		EA79BS00	Single Use Silicone Grease Tube	1
		EA80BS00	Aluminum Complex Grease - small tube	1
		EA81BS00	Thread Locking Compound	
82		EA82BS13	Drive Motor Extension shaft Drive Key - St/St	
83		EA83BS00	Motor Centering Bushing	
84		EA84BS00	Motor Cover	
85		EA85BS00	1" Pressure Relief Valve (optional)	
86		EA86BS00	8 mm Vent Tube - 5 foot	
		EA87BS00	Tubing & Fitting Kit	
		EA88BS00	1" Plug	

* E - 50, F - 80, G - 100, H - 120, J - 150, K - 200, R - 300, L - 400, M - 800, N - 1000, P - 1500, Q - 3000.
All screen sizes are in microns.

Fine screens below 50 microns are also available. Contact Rain Bird for current pricing.

Identifier number in manual	Model ES-E-08-PS			
	Quantity Ordered	Part Number	Description	Recommended Spares
2		EA02DE00	Front Cover	
3		EA03DE00	Coarse Screen Assembly	
4		EA4*DE17	Fine Screen Assembly supplied with P/N EA17DE00, (2) BE18DE00, EA23DE00, EA24DE00 & EA25BS00	
5		EA05DE13	Dirt Collector Assembly supplied with P/N EA20BS00, EA52DE13, EA53BS00, EA54BS00, EA55BS00, EA56DE00	
6		EA06DE00	2" Rinse Valve Assembly	
7		EA07DE00	Rear Cover & Motor Support	
8		EA08DE13	Dirt Collector Extension Shaft - St/St	
9		EA09DE12	1/4 Hp Geared Motor Assembly - 1ph, 120v, 60 Hz - R40	
9		EA09DE23	1/4 Hp Geared Motor Assembly - 1ph, 230v, 50 Hz - R40	
10		EA10BS00	Chamber Service Port Cover	
11		EA11BS00	Chamber Service Port Cover Seal	1
12		12GS00	Cover Seal	1
13		EA13DE13	Rear Cover Hex Bolt - 3/4" St/St	
14		14GS13	Cover Washer - 3/4" St/St	
15		15GS13	Front Cover Hex Nut - 13/4" St/St	
16		EA16DE00	Dirt Collector Front Support Housing - Delrin	1
17		EA17DE00	Fine Screen Handle	
18		E18DE00	Fine Screen Seal	2
19		EA19BS00	Linear Motion Shaft - Navel Brass	1
20		EA20BS00	Adjustable Nozzle - Delrin	6
21		EA21BS13	Drive Shaft - St/St	1
22		EA22DE00	Dirt Collector Rear Support Housing - Delrin	
23		EA23DE00	Dirt Collector Screen Guide Disc - PVC	
24		EA24DE00	Dirt Collector Screen Guide - Delrin	1
25		EA25BS00	Dirt Collector Screen Guide O-Ring	
26		EA26BS13	Drive Motor Extension Shaft - St/St	
27		EA27BS00	Bottom Drain Valve	
28		EA28DE00	Front & Rear Dirt Collector Support Housing O-Ring	2
29		EA29DE00	Front & Rear Dirt Collector Support Housing Seal Set	2
30		30BE00	Differential Pressure Switch	
31		31BE00	Solenoid Valve, 24 Vac, 3-Way, N.O.	1
32		G32AE00	1/4" Mini Filter with 1/8" Port	2
33		G33AE00	Pressure Gauge Enclosure	
34		G34AE00	Pressure Gauge Enclosure Cover (optional)	
35		EA35BS13	Chamber Service Port Cover Bolt - 1/2" St/St	
36		EA36DE00	Dirt Collector Shaft Coupling	1
37		G37AE00	Pressure Gauge	
38		EA38BS13	Drive Shaft & Motor Support Cover - St/St	

39		EA39BS00	Dirt Collector Rear Support Housing - O-Ring	1
40		EA40BS00	Linear Motion Shaft Cover - PVC	
41		EA41BS00	O-Ring Seal/Retainer	1
42		EA42BS13	Linear Motion Shaft Pin & O-Ring Set	1
43		43BE00	Three Way Mini Valve	
44		EA44BS13	Linear Motion Shaft Cover Bolt - 1/4" - St/St	
45		EA45BS13	Linear Motion Shaft Cover Washer - 1/4" St/St	
46		EA46BS13	Linear Motion Shaft Bushing - St/St	1
47		EA47BS13	Linear Motion Shaft Bushing Cover - St/St	
48		EA48BS13	Linear Motion Shaft Drive Pin - St/St	1
49		EA49BS00	Linear Motion Shaft Bushing Cover O-Ring	
50		EA50BS13	Linear Motion Shaft Bushing Screws - St/St	
51		EA51DE00	Drive Shaft Slotted Drive Bushing	1
52		EA52DE13	Nozzle Stem - St/St	
53		EA53BS00	Nozzle Stop O-Ring	
54		EA54BS00	Nozzle Retaining Clip	
55		EA55BS00	Nozzle Stem Bushing	
56		EA56DE00	Nozzle Base & Clamp Assembly with hardware	
57		EA57DE13	Front Cover Stud - 3/4" - St/St	
58		EA58DE13	Front Cover Long Stud - 3/4" - St/St	
59		EA59BS00	Front Cover Bushing	
60		EA60BS00	Front Cover Tubing Seal Fitting	
		EA79BS00	Single Use Silicone Grease Tube	1
		EA80BS00	Aluminum Complex Grease - small tube	1
		EA81BS00	Thread Locking Compound	
82		EA82BS13	Drive Motor Extension shaft Drive Key - St/St	
83		EA83BS00	Motor Centering Bushing	
84		EA84BS00	Motor Cover	
85		EA85DE00	2" Pressure Relief Valve (optional)	
86		EA86BS00	8 mm Vent Tube - 5 foot	
		EA87BS00	Tubing & Fitting Kit	
		EA88DE00	2" Plug	

* E - 50, F - 80, G - 100, H - 120, J - 150, K - 200, R - 300, L - 400, M - 800, N - 1000, P - 1500, Q - 3000.
All screen sizes are in microns.

Fine screens below 50 microns are also available. Contact Rain Bird for current pricing.

Identifier number in manual	Model ES-E-10-PS			
	Quantity Ordered	Part Number	Description	Recommended Spares
2		EA02DE00	Front Cover	
3		EA03DE00	Coarse Screen Assembly	
4		EA4*DE17	Fine Screen Assembly supplied with P/N EA17DE00, (2) BE18DE00, EA23DE00, EA24DE00 & EA25BS00	
5		EA05DE13	Dirt Collector Assembly supplied with P/N EA20BS00, EA52DE13, EA53BS00, EA54BS00, EA55BS00, EA56DE00	
6		EA06DE00	2" Rinse Valve Assembly	
7		EA07DE00	Rear Cover & Motor Support	
8		EA08DE13	Dirt Collector Extension Shaft - St/St	
9		EA09DE12	1/4 Hp Geared Motor Assembly - 1ph,120v, 60 Hz - R40	
9		EA09DE23	1/4 Hp Geared Motor Assembly - 1ph, 230v, 50 Hz - R40	
10		EA10BS00	Chamber Service Port Cover	
11		EA11BS00	Chamber Service Port Cover Seal	1
12		12GS00	Cover Seal	1
13		EA13DE13	Rear Cover Hex Bolt - 3/4" St/St	
14		14GS13	Cover Washer - 3/4" St/St	
15		15GS13	Front Cover Hex Nut - 13/4" St/St	
16		EA16DE00	Dirt Collector Front Support Housing - Delrin	1
17		EA17DE00	Fine Screen Handle	
18		E18DE00	Fine Screen Seal	2
19		EA19BS00	Linear Motion Shaft - Navel Brass	1
20		EA20BS00	Adjustable Nozzle - Delrin	6
21		EA21BS13	Drive Shaft - St/St	1
22		EA22DE00	Dirt Collector Rear Support Housing - Delrin	
23		EA23DE00	Dirt Collector Screen Guide Disc - PVC	
24		EA24DE00	Dirt Collector Screen Guide - Delrin	1
25		EA25BS00	Dirt Collector Screen Guide O-Ring	
26		EA26BS13	Drive Motor Extension Shaft - St/St	
27		EA27BS00	Bottom Drain Valve	
28		EA28DE00	Front & Rear Dirt Collector Support Housing O-Ring	2
29		EA29DE00	Front & Rear Dirt Collector Support Housing Seal Set	2
30		30BE00	Differential Pressure Switch	
31		31BE00	Solenoid Valve, 24 Vac, 3-Way, N.O.	1
32		G32AE00	1/4" Mini Filter with 1/8" Port	2
33		G33AE00	Pressure Gauge Enclosure	
34		G34AE00	Pressure Gauge Enclosure Cover (optional)	
35		EA35BS13	Chamber Service Port Cover Bolt - 1/2" St/St	
36		EA36DE00	Dirt Collector Shaft Coupling	1

37		G37AE00	Pressure Gauge	
38		EA38BS13	Drive Shaft & Motor Support Cover - St/St	
39		EA39BS00	Dirt Collector Rear Support Housing - O-Ring	1
40		EA40BS00	Linear Motion Shaft Cover - PVC	
41		EA41BS00	O-Ring Seal/Retainer	1
42		EA42BS13	Linear Motion Shaft Pin & O-Ring Set	1
43		43BE00	Three Way Mini Valve	
44		EA44BS13	Linear Motion Shaft Cover Bolt - 1/4" - St/St	
45		EA45BS13	Linear Motion Shaft Cover Washer - 1/4" St/St	
46		EA46BS13	Linear Motion Shaft Bushing - St/St	1
47		EA47BS13	Linear Motion Shaft Bushing Cover - St/St	
48		EA48BS13	Linear Motion Shaft Drive Pin - St/St	1
49		EA49BS00	Linear Motion Shaft Bushing Cover O-Ring	
50		EA50BS13	Linear Motion Shaft Bushing Screws - St/St	
51		EA51DE00	Drive Shaft Slotted Drive Bushing	1
52		EA52DE13	Nozzle Stem - St/St	
53		EA53BS00	Nozzle Stop O-Ring	
54		EA54BS00	Nozzle Retaining Clip	
55		EA55BS00	Nozzle Stem Bushing	
56		EA56DE00	Nozzle Base & Clamp Assembly with hardware	
57		EA57DE13	Front Cover Stud - 3/4" - St/St	
58		EA58DE13	Front Cover Long Stud - 3/4" - St/St	
59		EA59BS00	Front Cover Bushing	
60		EA60BS00	Front Cover Tubing Seal Fitting	
		EA79BS00	Single Use Silicone Grease Tube	1
		EA80BS00	Aluminum Complex Grease - small tube	1
		EA81BS00	Thread Locking Compound	
82		EA82BS13	Drive Motor Extension shaft Drive Key - St/St	
83		EA83BS00	Motor Centering Bushing	
84		EA84BS00	Motor Cover	
85		EA85DE00	2" Pressure Relief Valve (optional)	
86		EA86BS00	8 mm Vent Tube - 5 foot	
		EA87BS00	Tubing & Fitting Kit	
		EA88DE00	2" Plug	

* E - 50, F - 80, G - 100, H - 120, J - 150, K - 200, R - 300, L - 400, M - 800, N - 1000, P - 1500, Q - 3000.

All screen sizes are in microns.

Fine screens below 50 microns are also available. Contact Rain Bird for current pricing.

Identifier number in manual	Model ES-E-12-PS			
	Quantity Ordered	Part Number	Description	Recommended Spares
2		EA02DE00	Front Cover	
3		EA03FE00	Coarse Screen Assembly	
4		EA4*FE17	Fine Screen Assembly supplied with P/N EA17DE00, (2) BE18DE00, EA23DE00, EA24DE00 & EA25BS00	
5		EA05FE13	Dirt Collector Assembly supplied with P/N EA20BS00, EA52DE13, EA53BS00, EA54BS00, EA55BS00, EA56DE00	
6		EA06DE00	2" Rinse Valve Assembly	
7		EA07DE00	Rear Cover & Motor Support	
8		EA08DE13	Dirt Collector Extension Shaft - St/St	
9		EA09DE12	1/4 Hp Geared Motor Assembly - 1ph, 120v, 60 Hz - R40	
9		EA09DE23	1/4 Hp Geared Motor Assembly - 1ph, 230v, 50 Hz - R40	
10		EA10BS00	Chamber Service Port Cover	
11		EA11BS00	Chamber Service Port Cover Seal	1
12		12GS00	Cover Seal	1
13		EA13DE13	Rear Cover Hex Bolt - 3/4" St/St	
14		14GS13	Cover Washer - 3/4" St/St	
15		15GS13	Front Cover Hex Nut - 13/4" St/St	
16		EA16DE00	Dirt Collector Front Support Housing - Delrin	1
17		EA17DE00	Fine Screen Handle	
18		E18DE00	Fine Screen Seal	2
19		EA19BS00	Linear Motion Shaft - Navel Brass	1
20		EA20BS00	Adjustable Nozzle - Delrin	6
21		EA21BS13	Drive Shaft - St/St	1
22		EA22DE00	Dirt Collector Rear Support Housing - Delrin	
23		EA23DE00	Dirt Collector Screen Guide Disc - PVC	
24		EA24DE00	Dirt Collector Screen Guide - Delrin	1
25		EA25BS00	Dirt Collector Screen Guide O-Ring	
26		EA26BS13	Drive Motor Extension Shaft - St/St	
27		EA27BS00	Bottom Drain Valve	
28		EA28DE00	Front & Rear Dirt Collector Support Housing O-Ring	2
29		EA29DE00	Front & Rear Dirt Collector Support Housing Seal Set	2
30		30BE00	Differential Pressure Switch	
31		31BE00	Solenoid Valve, 24 Vac, 3-Way, N.O.	1
32		G32AE00	1/4" Mini Filter with 1/8" Port	2
33		G33AE00	Pressure Gauge Enclosure	
34		G34AE00	Pressure Gauge Enclosure Cover (optional)	
35		EA35BS13	Chamber Service Port Cover Bolt - 1/2" St/St	
36		EA36DE00	Dirt Collector Shaft Coupling	1
37		G37AE00	Pressure Gauge	
38		EA38BS13	Drive Shaft & Motor Support Cover - St/St	
39		EA39BS00	Dirt Collector Rear Support Housing - O-Ring	1
40		EA40BS00	Linear Motion Shaft Cover - PVC	
41		EA41BS00	O-Ring Seal/Retainer	1
42		EA42BS13	Linear Motion Shaft Pin & O-Ring Set	1

43		43BE00	Three Way Mini Valve	
44		EA44BS13	Linear Motion Shaft Cover Bolt - 1/4" - St/St	
45		EA45BS13	Linear Motion Shaft Cover Washer - 1/4" St/St	
46		EA46BS13	Linear Motion Shaft Bushing - St/St	1
47		EA47BS13	Linear Motion Shaft Bushing Cover - St/St	
48		EA48BS13	Linear Motion Shaft Drive Pin - St/St	1
49		EA49BS00	Linear Motion Shaft Bushing Cover O-Ring	
50		EA50BS13	Linear Motion Shaft Bushing Screws - St/St	
51		EA51DE00	Drive Shaft Slotted Drive Bushing	1
52		EA52DE13	Nozzle Stem - St/St	
53		EA53BS00	Nozzle Stop O-Ring	
54		EA54BS00	Nozzle Retaining Clip	
55		EA55BS00	Nozzle Stem Bushing	
56		EA56DE00	Nozzle Base & Clamp Assembly with hardware	
57		EA57DE13	Front Cover Stud - 3/4" - St/St	
58		EA58DE13	Front Cover Long Stud - 3/4" - St/St	
59		EA59BS00	Front Cover Bushing	
60		EA60BS00	Front Cover Tubing Seal Fitting	
		EA79BS00	Single Use Silicone Grease Tube	1
		EA80BS00	Aluminum Complex Grease - small tube	1
		EA81BS00	Thread Locking Compound	
82		EA82BS13	Drive Motor Extension shaft Drive Key - St/St	
83		EA83BS00	Motor Centering Bushing	
84		EA84BS00	Motor Cover	
85		EA85DE00	2" Pressure Relief Valve (optional)	
86		EA86BS00	8 mm Vent Tube - 5 foot	
		EA87BS00	Tubing & Fitting Kit	
		EA88DE00	2" Plug	

* E - 50, F - 80, G - 100, H - 120, J - 150, K - 200, R - 300, L - 400, M - 800, N - 1000, P - 1500, Q - 3000.
All screen sizes are in microns.

Fine screens below 50 microns are also available. Contact Rain Bird for current pricing.