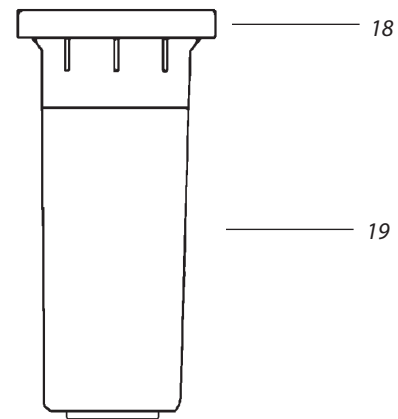
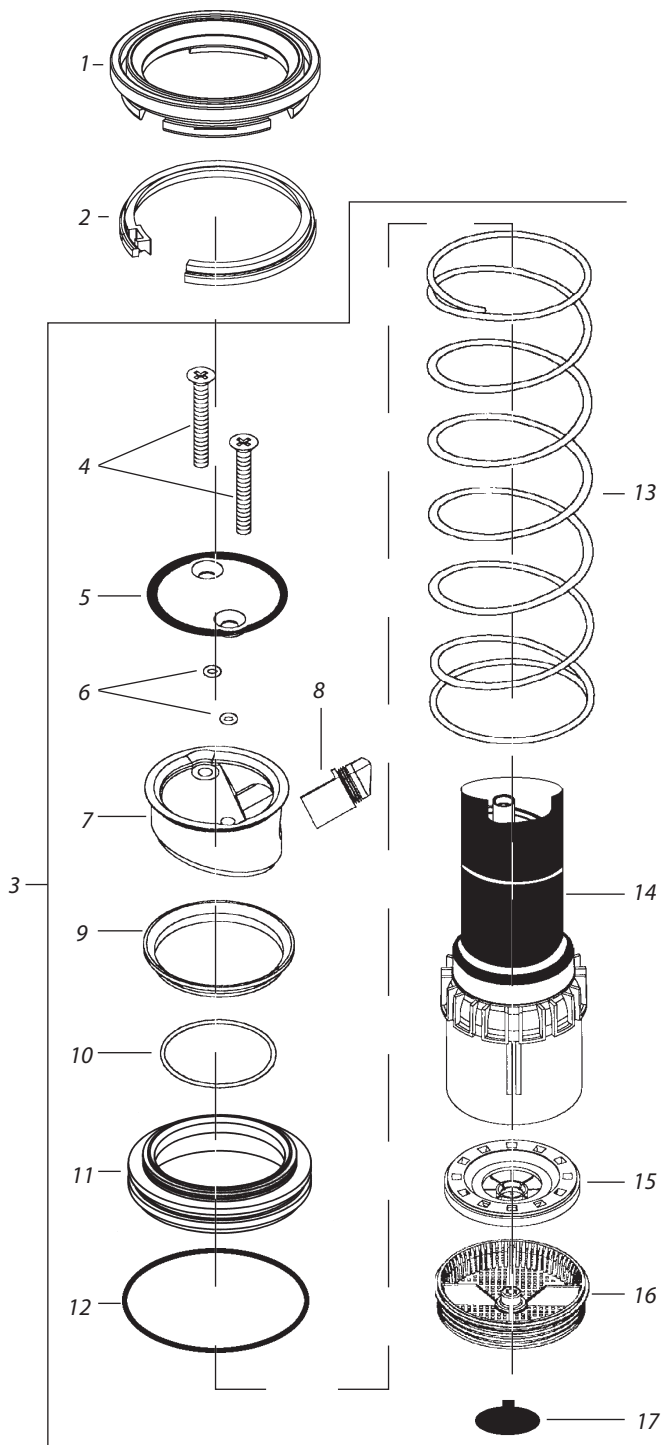


TALON - TA-80-FC



Ref.	Part Description	Qty.	TA-80-FC
<b>SNAP RINGS</b>			
1	Cover, Snap Ring - Rubber (A)	1	—
2	Snap Ring, Upper	1	211298
<b>INTERNAL ASSEMBLY</b>			
3	Internal Assembly (B)	1	211368-xx
<b>COVER ASSEMBLY</b>			
4	Screw, # 10 - 24	2	210974
5	Cover, Housing - Rubber (A)	1	—
6	O-Ring, Screw # 10	2	211236
<b>NOZZLES</b>			
7	Housing, Nozzle - Black	1	210356-02
—	Nozzle/Stator Kit (C)	1	211634-xx
8	Nozzle Assembly, Range	1	—
15	Stator	1	—
15	Valve Poppet	1	210405
<b>BEARING / RISER-MOTOR ASSEMBLY</b>			
9	Seal, Retract	1	210354
10	O-Ring, Nozzle Housing	1	210366
11	Guide, Bearing Assy, STD	1	211147
12	O-Ring, Bearing Guide	1	211242
13	Spring, Retract	1	(210364)
14	Riser Motor Assembly	1	—
16	Screen	1	210403
17	Stopmatic Assembly	1	211292
<b>CASE ASSEMBLIES</b>			
18	Cover, Case - Rubber (A)	1	—
19	Case Assembly (NPT)	1	211489-01
19	Case Assembly (BSP)	1	211489-02
<b>KITS &amp; ACCESSORIES</b>			
—	Diffuser Screw Kit	1	(211994)
5	Purple Cover - Non-Potable	1	(211932-04)

(A) Included in Rubber Cover Kit # 211367-01.

(B) Specify Nozzle Size when ordering.  
Available in # 14, 16, 18, 20, 22, and 24.

(C) Available in # 12, 16, 24

Note: Part numbers enclosed in brackets ( ) are not available individually, but may be sold in assemblies or kits.