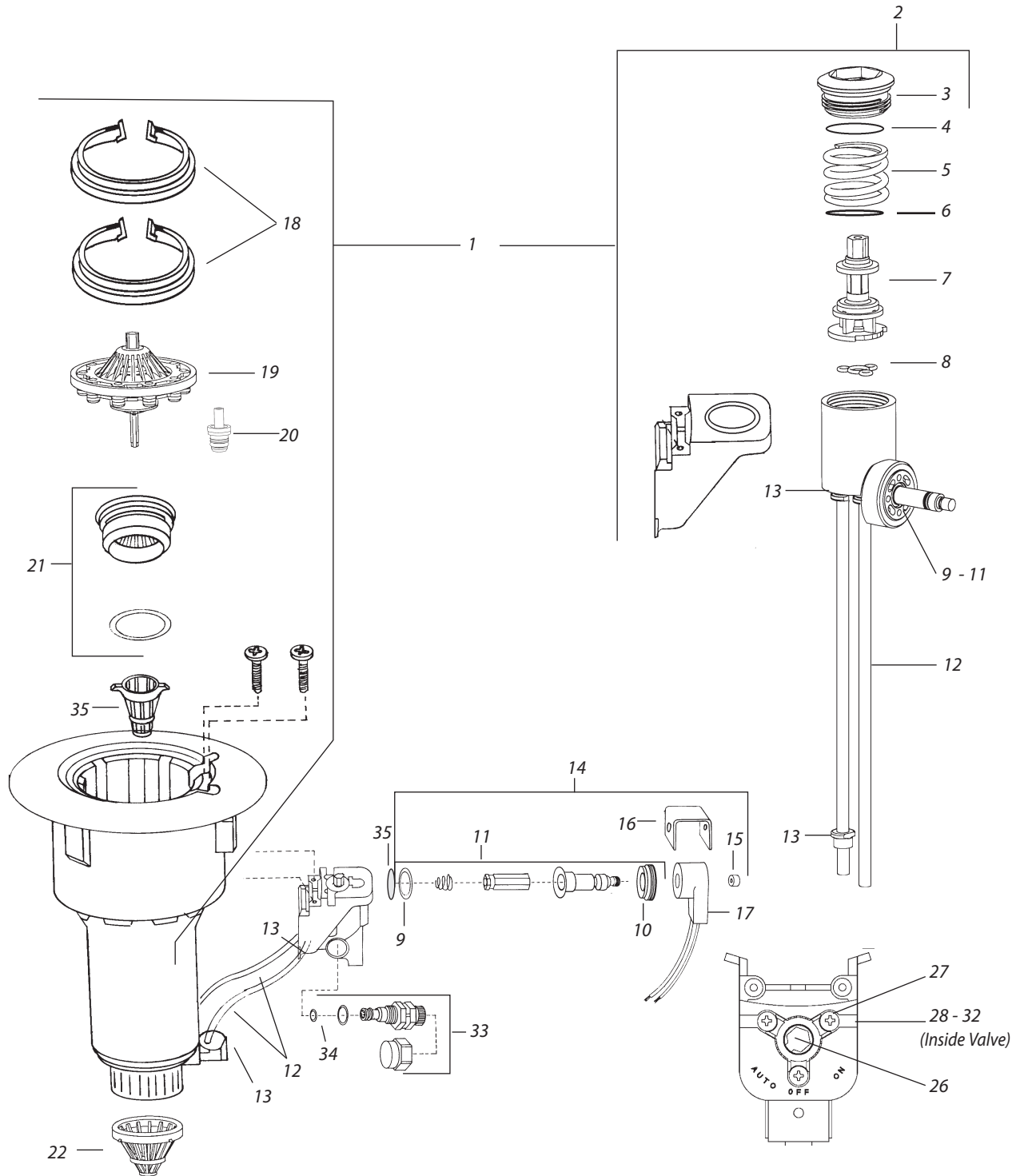


**NEW PRS/SELECTOR VALVE ASSEMBLY WITH ADAPTER  
OLD PRS/SELECTOR VALVE PARTS**



Note: Part numbers enclosed in brackets ( ) are not available individually, but may be sold in assemblies or kits.

## 91DR / 91DS / 91DH / 95DR / 95DS / 95DH CASE ASSEMBLY

<b>Ref. Part Description</b>	<b>91DR / 95DR</b>	<b>91DS / 95DS</b>	<b>91DH / 95DH</b>
<b>CASE ASSEMBLY WITH NEW PRS/SELECTOR VALVE (Post 5/93)</b>			
1 Case Assembly (NPT)	207995-01	—	—
1 Case Assembly (BSP)	—	—	—
2 PRS/Selector Assembly	210808-03	—	—
Selector Adapter	—	—	—
3 Selector Cap	(A) 210832	—	—
4 Stem Cover O-Ring	(A)	—	—
5 Compression Spring	(A)	—	—
6 Selector Washer	(A)210040	—	—
7 PRS Cartridge	(A)	—	—
8 Selector Seal (Rust)	(A) 211663	—	—
9 Solenoid Base O-Ring	211237	—	—
10 Base Nut	602606	—	—
11 Assembly Plunger Core/Tube	212972-01S	—	—
12 Tubing (2)	211607	211607	—
13 Ferrule (2-DR, 1-DH)	206409	—	206409
14 Solenoid Assembly	206920-01	—	—
15 Rubber Retainer	627167	—	—
16 U-Frame	212124S	—	—
17 Coil	602118	—	—
18 Snap Ring, Lower (2)	208396	208396	208396
19 HPDV Valve Assembly	211266	212323	212323
20 Probe & O-ring Assembly	207402	207402	207402
21 Inlet Adapter	207654	207654	207654
22 Inlet Screen (Post-7/93)	209923	209923	209923
<b>VALVE REPAIR KITS - OLDER MODELS</b>			
– HFDV Repair Kit (for stainless steel valve)	207594	208439	208439
<b>OLD SELECTOR VALVE PARTS (Pre 5/93)</b>			
– Selector Valve Stem Repair Kit	210069	—	—
26 Stem Assembly	—	—	—
27 Screws (3)	—	—	—
28 O-Ring (4)	(B) 211238	—	—
29 Compression Spring	(C)	—	—
30 Spring Washer (2 or 3)	(C)	—	—
31 Seal Washer	(C)	—	—
32 Seal O-Ring	(C)	—	—
33 Pressure Regulator	208206	—	—
34 Selector Valve O-Ring	(C)203026	—	—
9 Solenoid Base O-Ring	202882	—	—
14 Solenoid Assembly	206920-01	—	—
10 Base Nut	602606	—	—
11 Plunger-Core Tube Assy	212972-01S	—	—
15 Rubber Retainer	627167	—	—
16 U-Frame	212124S	—	—
17 Coil	602118	—	—
12 Tubing (2)	211607	211607	—
13 Ferrule (2-DR, 1-DH)	206409	—	206409
35 Screen	—	—	—
(A) Included in new style PRS/Selector Repair Kit # 210166.			
(B) Selector Valves made before 6/88 used three (3) O-Rings #211238.			
(C) PRS/Selector Assy with adaptor use replacement Part # 210808-03			

Note: Part numbers enclosed in brackets ( ) are not available individually, but may be sold in assemblies or kits.