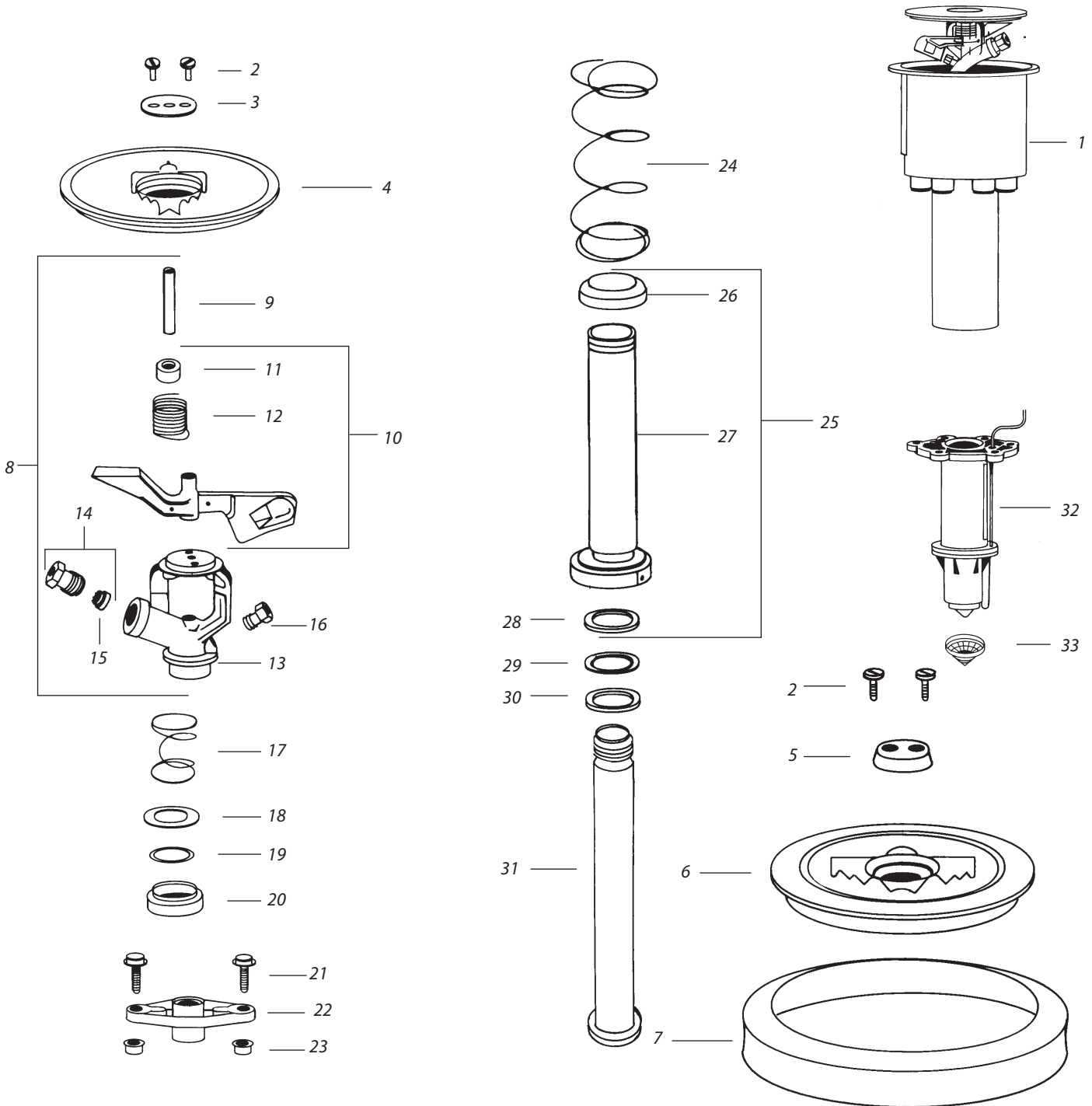


21A / 31A / 41-51A SAM SERIES
 21A / 31A / 41-51A-VIH-E SERIES



Note: Part numbers enclosed in brackets () are not available individually, but may be sold in assemblies or kits.



Ref.	Part Description	21ASAM 21ASAM-RC	31ASAM 31ASAM-RC	41-51ASAM 41-51ASAM-RC	21A-VIH-E 21A-VIH-E-RC	31A-VIH-E 31A-VIH-E-RC	41-51A-VIH-E 41-51A-VIH-E-RC
CASES							
1	1" Plastic Case (NPT)	201283-01	201283-01	201283-01	-	-	-
1	1" Plastic Case (BSP)	201283-02	201283-02	201283-02	-	-	-
COVER ASSEMBLIES							
2	Cover Screws, Standard	200974	200974	200974	200974	200974	200974
3	Retainer, Steel	200740	200740	200740	200740	200740	200740
4	Aluminum Cover	-	-	-	-	-	-
4	Plastic Cover	-	-	-	-	-	-
5	Retainer, Rubber	-	-	-	-	-	-
6	Rubber Cover	-	-	-	-	-	-
7	Rubber Case Ring	-	-	-	-	-	-
-	Cover Screws, Vandal Resistant	200829	200829	200829	200829	200829	200829
INTERNAL ASSEMBLY		(201324-10)	(201325-14)	201254-14-11	(201324-10)	(201325-14)	201254-14-11
UPPER ASSEMBLY							
8	Arm/Body Assembly	200118-10	200124-14	-	200118-10	200124-14	-
9	Fulcrum Pin	200025	200025	200076	200025	200025	200076
10	Arm Spring Assembly	-	-	-	-	-	-
11	Arm Hood	-	-	-	-	-	-
12	Arm Spring	200027	200089	202384	200027	200089	202384
13	Body	-	-	-	-	-	-
NOZZLES (Specify nozzle size when ordering.)							
-	ADJ Nozzle Assembly	-	-	-	-	-	-
-	Spring	100136	100136	-	100136	100136	-
-	Adjustment Pin	100203	100203	-	100203	100203	-
14	Plastic Range Nozzle	-	-	211203-xx	-	-	211203-xx
14	Range Nozzle Assembly	-	-	-	-	-	-
15	Vane	-	-	201230	-	-	201230
16	Special Drive Nozzle	-	-	201108	-	-	201108
BEARING ASSEMBLY							
17	Bearing Spring	(A)	(A)	(A)	(A)	(A)	(A)
18	Steel Top Seal Washer	(A)	(A)	(A)	(A)	(A)	(A)
19	PTFE Top Seal Washer (White)	(B)	(B)	(B)	(B)	(B)	(B)
20	Buna-N Guide Seal (Black)	(A)	(A)	(A)	(A)	(A)	(A)
21	Guide Screws (Current Self Taping)	204090	204090	204090	204090	204090	204090
-	Guide Screws (Older Style - Brass)	-	-	-	-	-	-
-	Washer (Older Style - Brass)	-	-	-	-	-	-
-	Insert (Older Style - Brass)	-	-	-	-	-	-
22	Bearing Guide	207416	207416	207416	207416	207416	207416
23	Guide Bushings (Current Style Only)	204308	204308	204308	204308	204308	204308
24	Retract Spring	201113	201113	201113	201113	201113	201113
25	Bearing Sleeve Assembly	-	-	-	-	-	-
26	Buna-N Lower Seal (Black)	(B)	(B)	(B)	(B)	(B)	(B)
27	Bearing Sleeve	-	-	-	-	-	-
28	Wear Ring (Gold)	(B)	(B)	(B)	(B)	(B)	(B)
29	PTFE Speed Washer (White)	(B)	(B)	(B)	(B)	(B)	(B)
30	Buna-N Washer Seal (Gray)	(B)	(B)	(B)	(B)	(B)	(B)
31	Bearing Nipple	-	-	-	-	-	-
32	SAM SPRINKLER HOUSING ASSEMBLY	205679	205679	205679	-	-	-
-	Screw, Housing (2)	-	-	-	-	-	-
-	Upper Housing Seal	-	-	-	-	-	-
-	Lower Housing Seal	201079	201079	201079	-	-	-
-	Vent Tube	201158	201158	201158	-	-	-
-	Valve Tube	-	-	-	-	-	-
33	Inlet Screen	200006	200006	200006	-	-	-
VIH-E SOLENOID ASSEMBLY							
-	Rubber Retainer	-	-	-	206920-01	206920-01	206920-01
-	Coil	-	-	-	627167	627167	627167
-	U-Frame	-	-	-	602118	602118	602118
-	Base Nut	-	-	-	212124S	212124S	212124S
-	Core Tube / Plunger Spring Assembly	-	-	-	602142	602142	602142
-	Crush Washer	-	-	-	21297201S	21297201S	21297201S
-		-	-	-	407016	407016	407016

(A) Included in Bearing Spring Washer Kit # 203731.

(B) Included in Bearing Washer Kit # 203732.

Note: Part numbers enclosed in brackets () are not available individually, but may be sold in assemblies or kits.