

RAIN BIRD IRRIGATION FILTRATION SYSTEMS
Replacement Parts List
February 1, 2014

TABLE OF CONTENTS

<u>TF SERIES SCREEN FILTERS</u>	<u>PAGE #</u>
TF-6 TF SERIES Stainless Steel Screen Filter Parts List	P-3
TF-8 TF SERIES Stainless Steel Screen Filter Parts List	P-4
<u>SPIN FLOW SCREEN FILTERS</u>	
SF 6 Epoxy Coated Steel Screen Filter Parts List	P-5
SF 8 Epoxy Coated Steel Screen Filter Parts List	P-6
SF 10 Epoxy Coated Steel Screen Filter Parts List	P-7
<u>MAXI-CLEAN SCREEN FILTERS</u>	
MCS 2 Epoxy Coated Steel Screen Filter Parts List	P-8
MCS 3 Epoxy Coated Steel Screen Filter Parts List	P-9
MCS 4 Epoxy Coated Steel Screen Filter Parts List	P-10
MCS 6 Epoxy Coated Steel Screen Filter Parts List	P-11
MCS 8 Epoxy Coated Steel Screen Filter Parts List	P-12
<u>BSF SERIES SCREEN FILTERS</u>	
BSF 6 Epoxy Coated Steel Screen Filter Parts List	P-13 & P-14
BSF 8 Epoxy Coated Steel Screen Filter Parts List	P-13 & P-14
BSF 10 Epoxy Coated Steel Screen Filter Parts List	P-13 & P-14
<u>BASKET STRAINERS</u>	
BS 2, BS 3 / BS 4, BS 6 High Flow Rate Basket Strainer Parts	P-15
BS 8, BS 10 High Flow Rate Basket Strainer Parts	p-16
<u>GROOVED ADAPTERS</u>	P-17
<u>GROOVED COUPLINGS, GASKETS, NUTS & BOLTS</u>	P-18
<u>MISCELLANEOUS PARTS</u>	
Poly Fittings, Tubing	P-19
Manual System to Automatic Media Filter System Conversion Kits	P-19
Hydraulic Water Pick-Up Parts	P-19
Sacrificial Anode Rods for Stainless Steel Media Tanks	P-20
Paint for Touch-Up of Systems	P-20
<u>AUTOMATION</u>	
Controllers, Solar Equip., Controller Parts, Solenoid Valves, Etc	P-21
<u>MEDIA FILTER PARTS & COMPLETE VALVES</u>	
Manway Lid Gaskets, High Pressure Manway Lid Gaskets	P-22
Industrial FDA Approved Gaskets, Industrial Valve Replacement Parts	P-23
Backwash Restrictor Valves & Sight Glass Tubes, Flange Adapters	P-23
Epoxy Lined Cast Iron Sand Filter Backwash Valves, Backwash Handles	P-23 & P-24

RAIN BIRD IRRIGATION FILTRATION SYSTEMS
Replacement Parts List
February 1, 2014

TABLE OF CONTENTS

3-WAY BACKWASH VALVES- COMPONENT PARTS

4"X5"X4" Automatic, Epoxy Lined Cast Iron Backwash Valves

- 454 "D" Series (1996 - Present) Parts List P-25
- 454 "C-1" Series (1985 - 1996) Parts List P-26

4"X5"X4" Manual, Epoxy Lined Cast Iron Backwash Valves

- 454 "D" Series (2002-Present) Parts List P-27
- 454 "C" Series (1985 – 2002) Parts List P-28

3"X4"X2" Automatic, Epoxy Lined Cast Iron Backwash Valves

- 342 "D" Series (2013 – Present) Parts List P-29
- 342 "C" Series (1984 - 2013) Parts List P-30

3"X4"X2" Manual, Epoxy Lined Cast Iron Backwash Valves

- 342 "C" Series (1984 - Present) Parts List P-31

1-1/2"X2"X1-1/2" Automatic, Manual Backwash Valves

- 1-1/2" x 2" x 1-1/2" D Series (3/2013-Present) Parts List P-32
- 1-1/2" x 2" x 1-1/2" Series (Up to 3/2013) Parts List P-33

3-WAY BACKWASH VALVE REBUILD KIT

Backwash Valve Rebuild Kits P-34

PUMP SUCTION SCREENS

Replacement Parts P-34

FLANGE ADAPTERS

Flange Adapters, Replacement Gaskets for Flange Adapters P-34

PARTS ORDER POLICY

P-35

LIMITED MANUFACTURER'S WARRANTY

LIMITED QUANTITIES OF PRE-1979 VALVE PARTS ARE AVAILABLE.
CONSULT THE FACTORY FOR AVAILABILITY AND PRICING.

RAIN BIRD IRRIGATION FILTRATION SYSTEMS

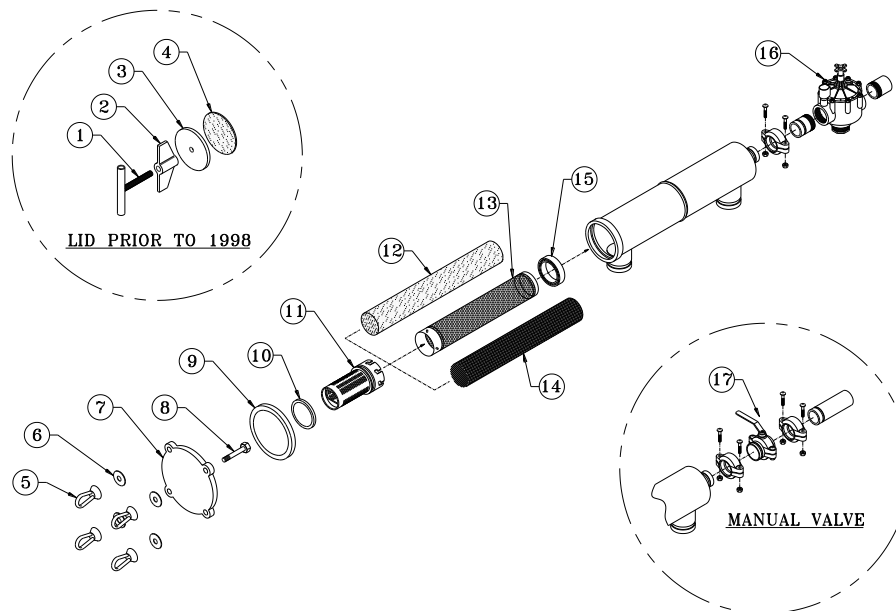
Replacement Parts List

February 1, 2014

SCREEN FILTERS

TF6 - TF SCREEN FILTERS

PART #	ITEM #	QTY	DESCRIPTION
350006500	1	1	HANDLES & CROSS BARS - THREADED TEE HANDLE SF6 SS6 (PRIOR TO 1998)
150030006	2	1	HANDLES & CROSS BARS - SF6 SS6 (PRIOR TO 1998)
350006000	3	1	LID - SF6 SS6 (PRIOR TO 1998)
142010006	4	1	SF6 - LID GASKET / SS6 - LID GASKET (PRIOR TO 1998)
400069050	5	4	NUT EYE 1/2" -13 SS6 SS8
400073050	6	4	WASHER FLAT 1/2" - MCS2 MCS8 SS6 SS8
350008688	7	1	LID - SS6 SS8
400035027	8	1	BOLT HEX 1/2" -13 X 2-3/4"
142020004	9	1	SF8 SB3 SB4 SS6 SS8 - LID GASKET
141064563	10	1	SS6 - O" RING SEAL (1 REQUIRED)
142810006	11	1	SS6 - MOLDED PLENUM
147036900	12	1	SS6 - INTERMEDIATE LINER
250026010	13	1	SS6 - S/S PERFORATED SCREEN 3/16" (STANDARD)
250026020	13	1	SS6 - SCREEN - 10 MESH (1/16")
250026015	13	1	SS6 - SCREEN - 20 MESH (1/32")
147036 _ _ _	14	1	SS6 - POLYMERIC SOCK
			SPECIFY MESH: 040, 080, 100, 150, 200
140001006	15	1	SS6 - U-CHANNEL END SEAL
139038120	16	1	VALVE, GLOBE 2" 24VAC
130170002	17	1	SS6 - 2 MANUAL (BUTTERFLY) VLV
380036 _ _ _		1	SS6 - COMPLETE CARTRIDGE ASSEMBLY
			SPECIFY MESH: 040, 080, 100, 150, 200



Inquiries & Technical
Information
(866) GSP-XPRT

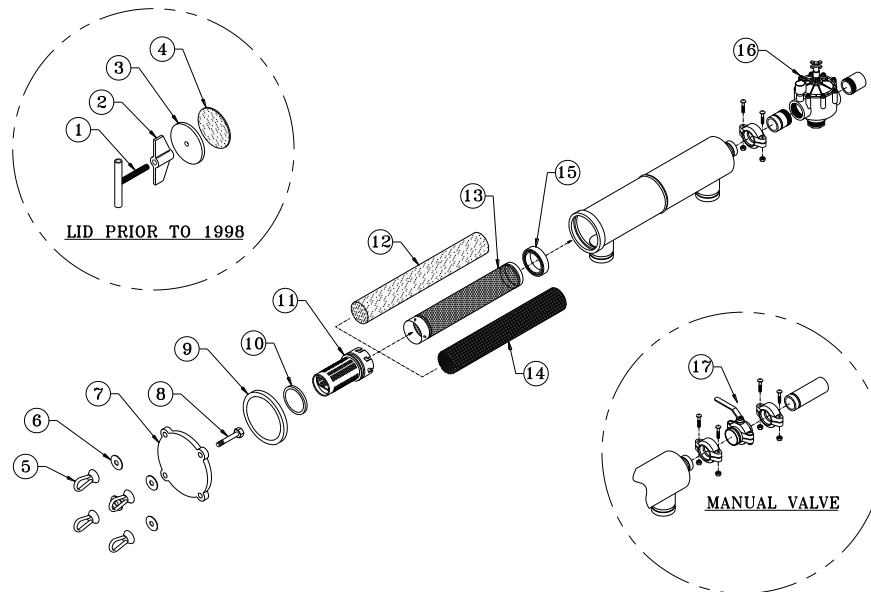
For Orders and
Quotation Requests
(866) 477-9778

RAIN BIRD IRRIGATION FILTRATION SYSTEMS
Replacement Parts List
February 1, 2014

SCREEN FILTERS

TF8 - TF SCREEN FILTERS

PART #	ITEM #	QTY	DESCRIPTION
350009000	1	1	HANDLES & CROSS BARS - THREADED TEE HANDLE SF8 SF10 SS8 (PRIOR TO 1998)
150030008	2	1	HANDLES & CROSS BARS - SF8 SS8 (PRIOR TO 1998)
350008000	3	1	LID - SF8 SS8 (PRIOR TO 1998)
142010008	4	1	SF8 - LID GASKET / SS8 - LID GASKET (PRIOR TO 1998)
400069050	5	4	NUT EYE 1/2" -13 SS6 SS8
400073050	6	4	WASHER FLAT 1/2" - MCS2 MCS8 SS6 SS8
350008688	7	1	LID - SS6 SS8
400035027	8	1	BOLT HEX 1/2" -13 X 2-3/4"
142020004	9	1	SF8 SB3 SB4 SS6 SS8 - LID GASKET
141086375	10	1	SS8 - O RING SEAL (1 REQUIRED)
142810008	11	1	SS8 - MOLDED PLENUM
240050080	12	1	LINER SS8 NATURAL CUT 5"x49"
250028010	13	1	SS8 - S/S PERFORMATED SCREEN 3/16" (STANDARD)
250028020	13	1	SS8 - SCREEN - 10 MESH (1/16")
250028015	13	1	SS8 - SCREEN - 20 MESH (1/32")
147038 _ _ _	14	1	POLYMERIC SOCK SPECIFY MESH: 040, 080, 100, 150, 200
140001008	15	1	SS8 - U-CHANNEL END SEAL
134000300	16	1	VALVE, GLOBE 3" 24VAC
130170003	17	1	SS8 - 3" MANUAL (BUTTERFLY) VLV
380038 _ _ _		1	COMPLETE CARTRIDGE ASSEMBLY SPECIFY MESH: 040, 080, 100, 150, 200



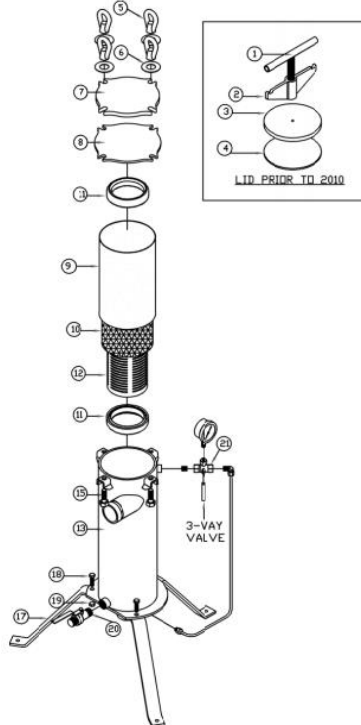
Inquiries & Technical
 Information
 (866) GSP-XPRT

For Orders and
 Quotation Requests
 (866) 477-9778

RAIN BIRD IRRIGATION FILTRATION SYSTEMS
Replacement Parts List
February 1, 2014

SPIN FLOW MODEL SF6 - EPOXY COATED STEEL SCREEN FILTERS

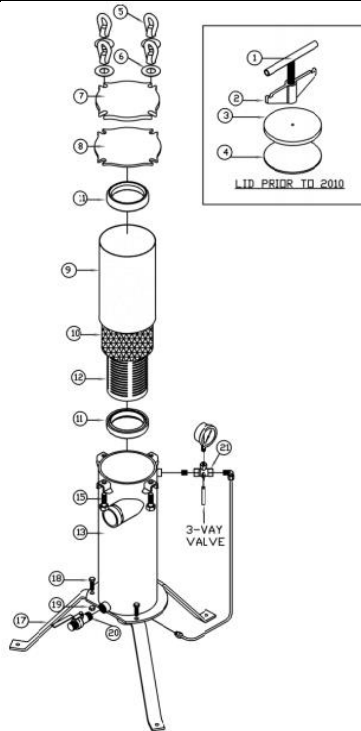
PART #	ITEM #	QTY	DESCRIPTION
350006500	1	1	HANDLES & CROSS BARS - THREADED TEE HANDLE SF6 SS6 (PRIOR TO 1998)
150030006	2	1	HANDLES & CROSS BARS - SF6 SS6 (PRIOR TO 1998)
100500080	3	1	PLATE, BO 1/2x6-5/8x3/4 30,36 PVC HUB
142010006	4	1	SF6 - LID GASKET / SS6 - LID GASKET (PRIOR TO 1998)
210010000	5	4	EYE NUT 1/2-13 ZINC PLATED
400073050	6	4	WASHER FLAT 1/2" - MCS2 MCS8 SS6 SS8
100550707	7	1	LID, BO 1/2x7-1/8x7-1/8 LID SB2,30A
142020002	8	1	GASKET 1/4x7-3/8 SB2 LID NEOPR
147016_ _ _	9	1	SF6-POLYMERIC SOCK, SPECIFY MESH: 040,080,100,150,200
240060060	10	1	LINER SF6; ORANGE, 4" X 17.5
140001063	11	2	U-CHANNEL END SEALS MCS2 MCS3 MFS6 SF6
250013600	12	1	SF6 - SLOTTED PVC CARTRIDGE
270000006	13	1	FILTER HOUSING SF6
-	14	-	-
400035027	15	4	BOLT HEX 1/2" -13 X 2-3/4"
-	16	-	-
230010800	17	3	LEG SF6 1/4"x1-1/2"x13"
400023813	18	3	BOLT HEX 3/8-24x1-1/4 ZP GRD 5
400063037	19	3	NUT HEX 3/8-24 ZP
137000050	20	1	HYDR WTR PICK-UP - 1/2" BRASS BALL VLV



RAIN BIRD IRRIGATION FILTRATION SYSTEMS
Replacement Parts List
February 1, 2014

SPIN FLOW MODEL SF8 EPOXY COATED STEEL SCREEN FILTERS

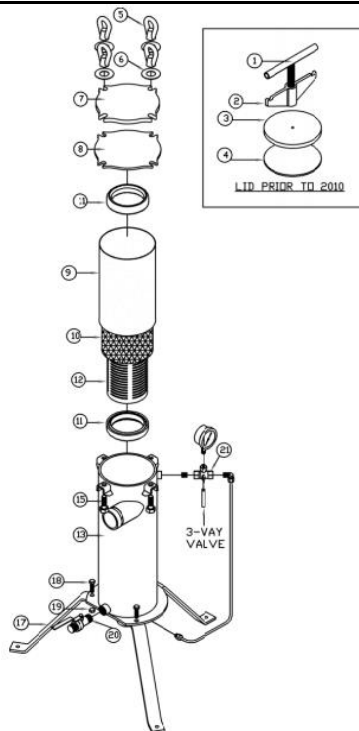
PART #	ITEM #	QTY	DESCRIPTION
350006500	1	1	HANDLES & CROSS BARS - THREADED TEE HANDLE SF6 SS6 (PRIOR TO 1998)
150030006	2	1	HANDLES & CROSS BARS - SF6 SS6 (PRIOR TO 1998)
100500080	3	1	PLATE, BO 1/2x6-5/8x3/4 30,36 PVC HUB
142010008	4	1	SF8 - LID GASKET / SS8 - LID GASKET (PRIOR TO 1998)
210010000	5	4	EYE NUT 1/2-13 ZINC PLATED
400073050	6	4	WASHER FLAT 1/2" - MCS2 MCS8 SS6 SS8
100550909	7	1	LID, BO 1/2x9x9 LID SB4,SS6/8,30SS
142020004	8	1	SF8 SB3 SB4 SS6 SS8 - LID GASKET
147018__	9	1	SF8-POLY SOCK, SPECIFY MESH: 040,080,100,150,200
240060080	10	1	LINER SF8; BLUE, 6.5" X 17.5"
140001084	11	2	U-CHANNEL END SEALS MCS4 MCS8 SF8
250013800	12	1	SF8 - SLOTTED PVC CARTRIDGE
270000008	13	1	FILTER HOUSING SF8
-	14	-	-
400035027	15	4	BOLT HEX 1/2" -13 X 2-3/4"
-	16	-	-
230010900	17	3	LEG SF8 1/4"x1-1/2"x16-3/4"
400023813	18	3	BOLT HEX 3/8-24x1-1/4 ZP GRD 5
400063037	19	3	NUT HEX 3/8-24 ZP
137000050	20	1	HYDR WTR PICK-UP - 1/2" BRASS BALL VLV
385000010	21	1	PRESSURE GAUGE ASSEMBLY STD, SF, SB



RAIN BIRD IRRIGATION FILTRATION SYSTEMS
Replacement Parts List
February 1, 2014

SPIN FLOW MODEL SF10 - EPOXY COATED STEEL SCREEN FILTERS

PART #	ITEM #	QTY	DESCRIPTION
350009000	1	1	HANDLES & CROSS BARS - THREADED TEE HANDLE SF8 SF10 SS8 (PRIOR TO 1998)
240003000	2	1	HANDLES & CROSS BARS - CROSS BAR (MODEL 10") / SF10
100500100	3	1	PLATE, BO 1/2x10-3/4 OD SF10 LID
142010010	4	1	SF10 - LID GASKET
210010000	5	5	EYE NUT 1/2-13 ZINC PLATED
400073050	6	5	WASHER FLAT 1/2" - MCS2 MCS8 SS6 SS8
100551212	7	1	LID, BO 1/2x11-1/4 LID SB6,48CS
142020006	8	1	SB6 - FULL COVER LID GASKET
147019_ _ _	9	1	SF10-POLYMERIC SOCK, SPECIFY MESH: 040,080,100,150,200
240060100	10	1	LINER SF10 YELLOW 8.625"x29.5"
140001106	11	2	U-CHANNEL END SEALS MCS10 MCS6 MCS8 SF10
250013100	12	1	SF10 - SLOTTED PVC CARTRIDGE
270000010	13	1	FILTER HOUSING SF10
-	14	-	-
400035027	15	5	BOLT HEX 1/2" -13 X 2-3/4"
-	16	-	-
230011000	17	3	LEG SF10 3/8"x2-1/2"x19-1/8"
400023813	18	3	BOLT HEX 3/8-24x1-1/4 ZP GRD 5
400063037	19	3	NUT HEX 3/8-24 ZP
137000050	20	1	HYDR WTR PICK-UP - 1/2" BRASS BALL VLV
385000010	21	1	PRESSURE GAUGE ASSEMBLY STD, SF, SB



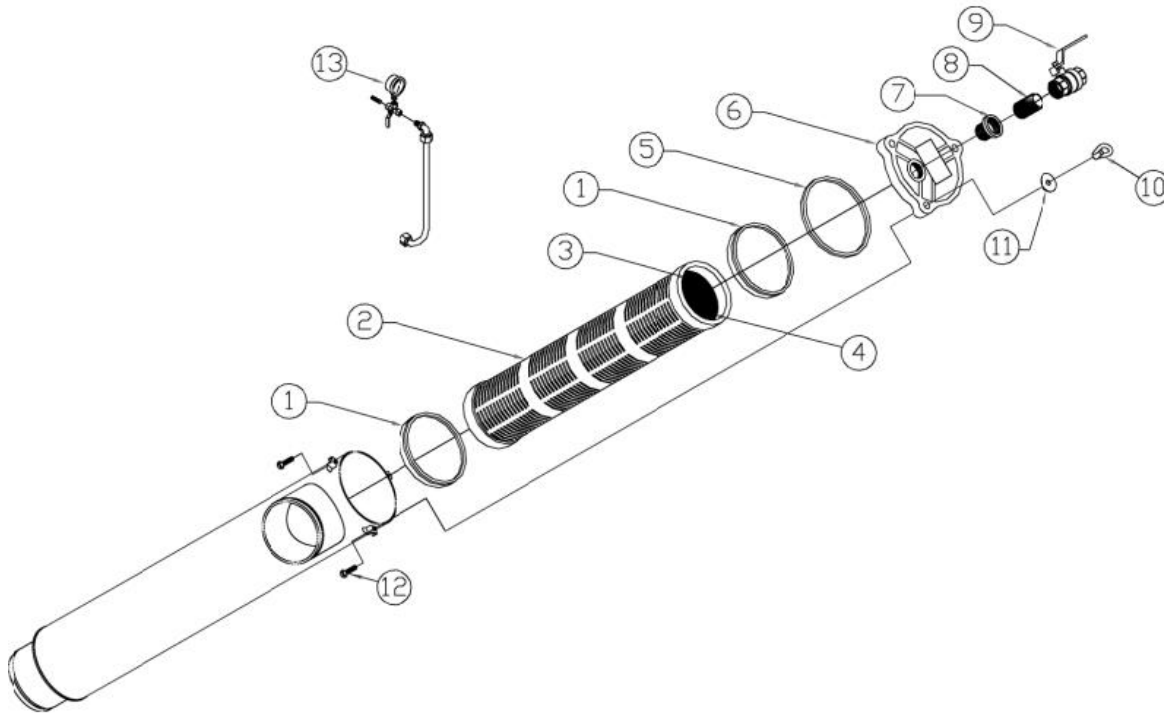
Inquiries & Technical
 Information
 (866) GSP-XPRT

For Orders and
 Quotation Requests
 (866) 477-9778

RAIN BIRD IRRIGATION FILTRATION SYSTEMS
Replacement Parts List
February 1, 2014

MCS 2 - MAXI-CLEAN SCREENS

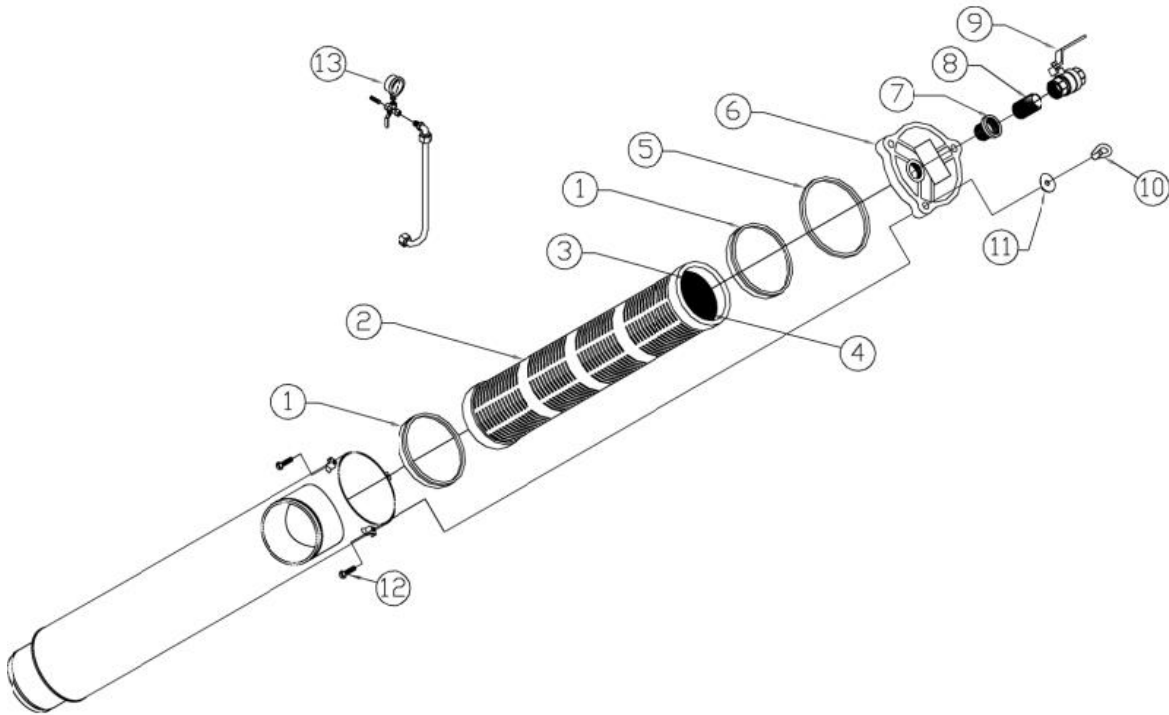
PART #	ITEM #	QTY	DESCRIPTION
140001063	1	2	U-CHANNEL END SEALS MCS2 MCS3 MFS6 SF6
250013020	2	1	MCS2 - SLOTTED PVC CARTRIDGE
240022000	3	1	MCS2 - INTERMEDIATE LINER
147002 _ _ _	4	1	POLYMERIC SOCK
			SPECIFY MESH: 040, 080, 100, 150, 200
140002003	5	1	LID GASKETS MCS2 MCS3 MCS6
350000300	6	1	LID ASSEMBLY - MCS2 MCS3 MCS6
-	7	-	-
150050100	8	3	NIPPLE BRASS CLOSE 1"
380022 _ _ _		1	COMPLETE CARTRIDGE
			SPECIFY MESH: 040, 080, 100, 150, 200
137001100	9	1	BRASS BALL VLV 1"
400069050	10	3	NUT EYE 1/2" -13 SS6 SS8
400073050	11	3	WASHER FLAT 1/2" - MCS2 MCS8 SS6 SS8
400035027	12	3	BOLT HEX 1/2" -13 X 2-3/4"
385000010	13	1	PRESSURE GAUGE ASSEMBLY STD, SF, SB



RAIN BIRD IRRIGATION FILTRATION SYSTEMS
Replacement Parts List
February 1, 2014

MCS 3 - MAXI-CLEAN SCREENS

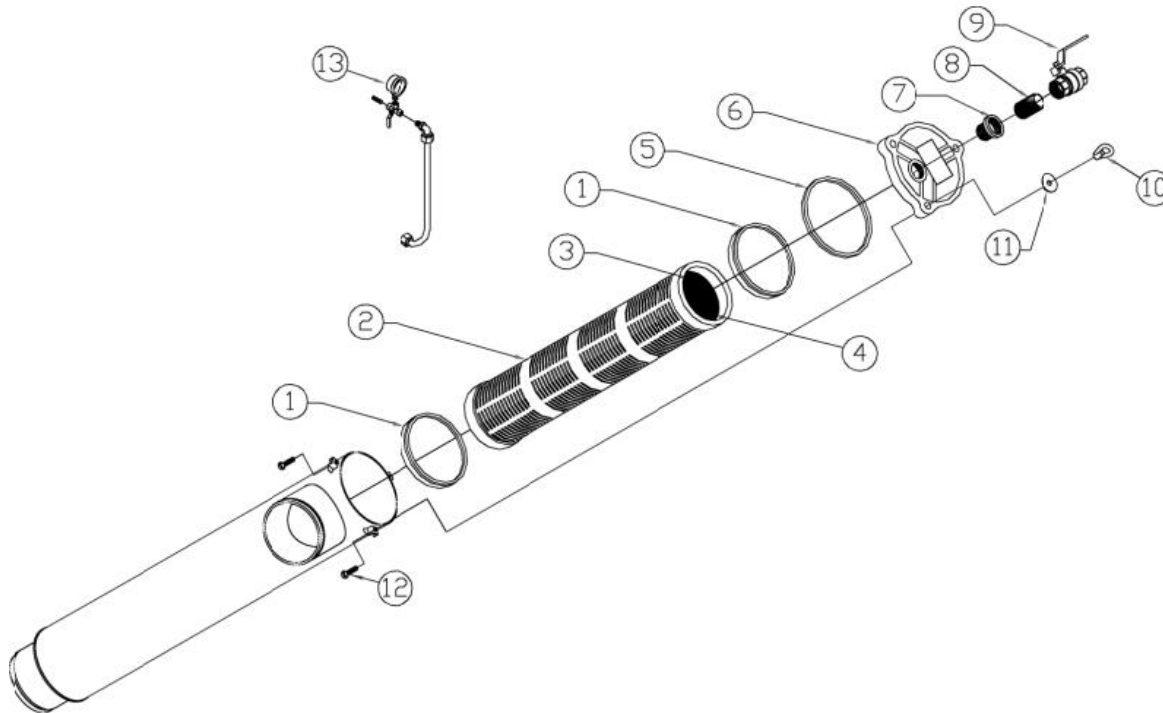
PART #	ITEM #	QTY	DESCRIPTION
140001063	1	2	U-CHANNEL END SEALS MCS2 MCS3 MFS6 SF6
250013030	2	1	MCS3 - SLOTTED PVC CARTRIDGE
240023000	3	1	MCS3 - INTERMEDIATE LINER
147003 _ _ _	4	1	MCS3 - POLYMERIC SOCK
			SPECIFY MESH: 040, 080, 100, 150, 200
140002003	5	1	LID GASKETS MCS2 MCS3 MCS6
350000300	6	1	LID ASSEMBLY - MCS2 MCS3 MCS6
-	7	-	-
150050100	8	3	NIPPLE BRASS CLOSE 1"
380023 _ _ _		1	MCS3 - COMPLETE CARTRIDGE
			SPECIFY MESH: 040, 080, 100, 150, 200
137001100	9	1	BRASS BALL VLV 1"
400069050	10	3	NUT EYE 1/2" -13 SS6 SS8
400073050	11	3	WASHER FLAT 1/2" - MCS2 MCS8 SS6 SS8
400035027	12	3	BOLT HEX 1/2" -13 X 2-3/4"
385000010	13	1	PRESSURE GAUGE ASSEMBLY STD, SF, SB



RAIN BIRD IRRIGATION FILTRATION SYSTEMS
Replacement Parts List
February 1, 2014

MCS 4 - MAXI-CLEAN SCREENS

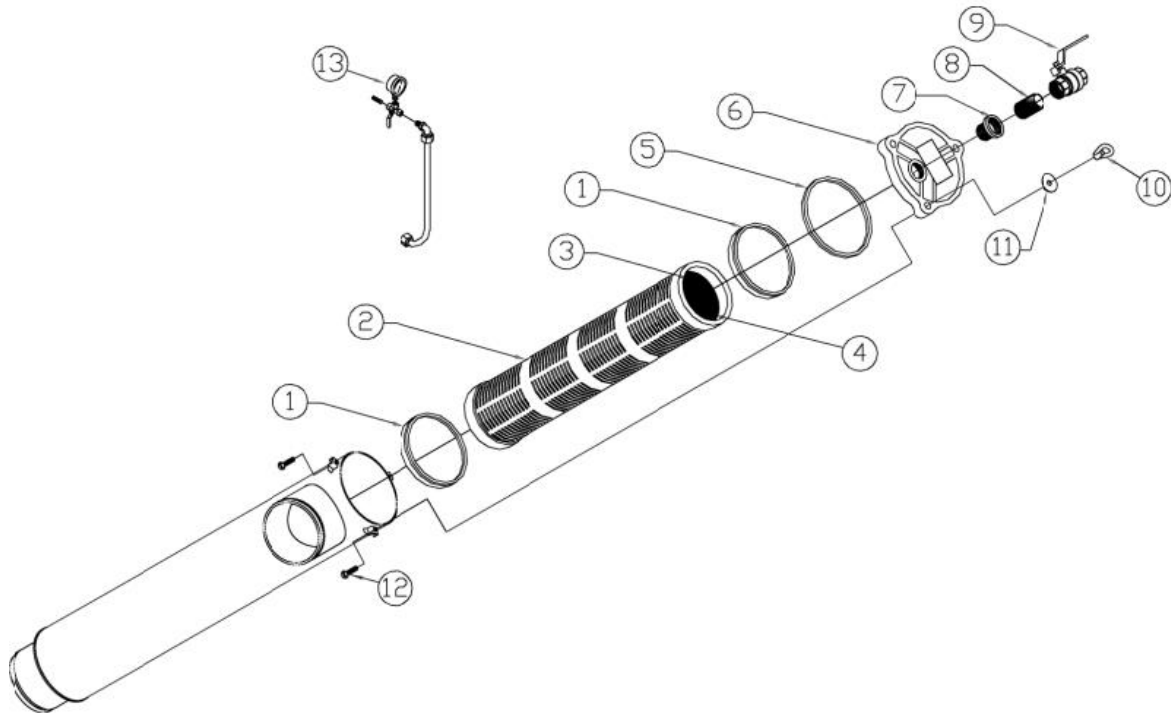
PART #	ITEM #	QTY	DESCRIPTION
140001084	1	2	U-CHANNEL END SEALS MCS4 MCS8 SF8
250013040	2	1	MCS4 - SLOTTED PVC CARTRIDGE
240024000	3	1	MCS4 - INTERMEDIATE LINER
147004 _ _ _	4	1	MCS4 - POLYMERIC SOCK
			SPECIFY MESH: 040, 080, 100, 150, 200
140002004	5	1	LID GASKETS MCS4 MCS8
350000400	6	1	LID ASSEMBLY - MCS4 MCS8
107031015	7	1	BUSHING REDUCER 1-1/2x1" GALV.
150050100	8	3	NIPPLE BRASS CLOSE 1"
380024 _ _ _		1	MCS4 - COMPLETE CARTRIDGE
			SPECIFY MESH: 040, 080, 100, 150, 200
137001100	9	1	BRASS BALL VLV 1"
400069050	10	3	NUT EYE 1/2" -13 SS6 SS8
400073050	11	3	WASHER FLAT 1/2" - MCS2 MCS8 SS6 SS8
400035027	12	3	BOLT HEX 1/2" -13 X 2-3/4"
385000010	13	1	PRESSURE GAUGE ASSEMBLY STD, SF, SB



RAIN BIRD IRRIGATION FILTRATION SYSTEMS
Replacement Parts List
February 1, 2014

MCS 6 - MAXI-CLEAN SCREENS

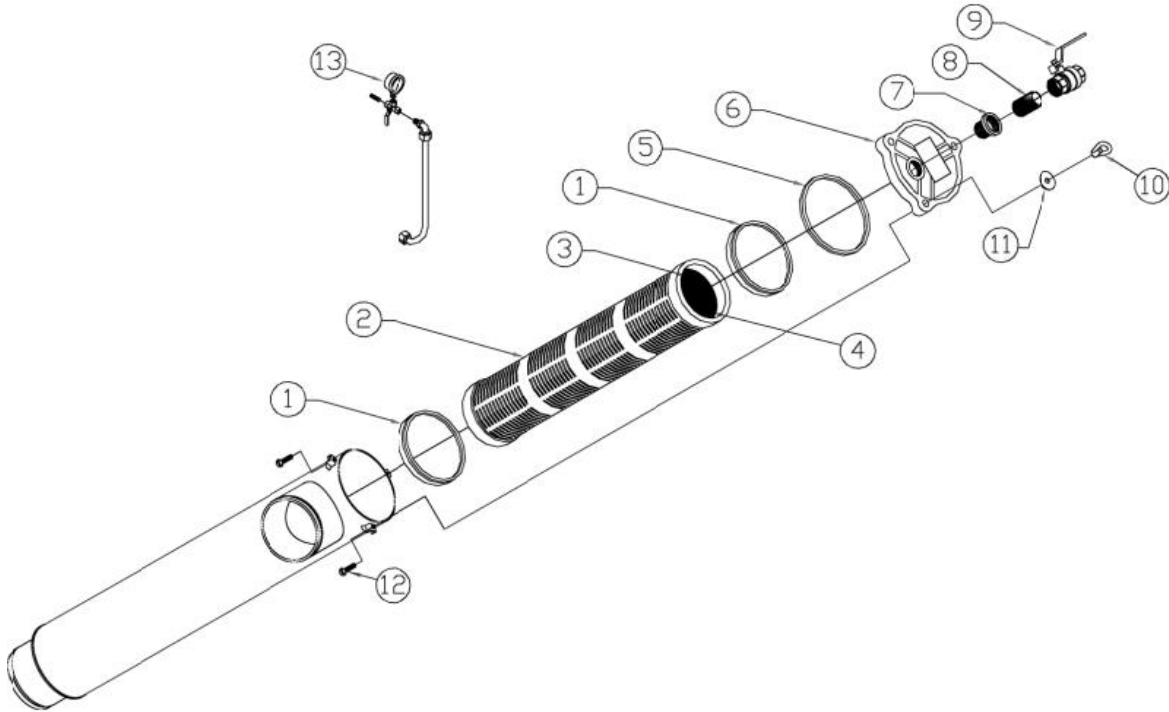
PART #	ITEM #	QTY	DESCRIPTION
140001106	1	2	U-CHANNEL END SEALS MCS10 MCS6 MCS8 SF10
250013060	2	1	MCS6 - SLOTTED PVC CARTRIDGE
240026000	3	1	MCS6 - INTERMEDIATE LINER
147006 _ _ _	4	1	MCS6 - POLYMERIC SOCK
			SPECIFY MESH: 040, 080, 100, 150, 200
140002006	5	1	LID GASKET MCS10 MCS6 MCS8
350000500	6	1	LID ASSEMBLY - MCS6 MCS 8 MCS10
107032010	7	1	BUSHING REDUCER 2"x1" GALV.
150050100	8	3	NIPPLE BRASS CLOSE 1"
380026 _ _ _		1	MCS6 - COMPLETE CARTRIDGE
			SPECIFY MESH: 040, 080, 100, 150, 200
137001100	9	1	BRASS BALL VLV 1"
400069050	10	3	NUT EYE 1/2" -13 SS6 SS8
400073050	11	3	WASHER FLAT 1/2" - MCS2 MCS8 SS6 SS8
400035027	12	3	BOLT HEX 1/2" -13 X 2-3/4"
385000010	13	1	PRESSURE GAUGE ASSEMBLY STD, SF, SB



RAIN BIRD IRRIGATION FILTRATION SYSTEMS
Replacement Parts List
February 1, 2014

MCS 8 - MAXI-CLEAN SCREENS

PART #	ITEM #	QTY	DESCRIPTION
140001106	1	2	U-CHANNEL END SEALS MCS10 MCS6 MCS8 SF10
250013080	2	1	MCS8 - SLOTTED PVC CARTRIDGE
240028000	3	1	MCS8 - INTERMEDIATE LINER
147008 _ _ _	4	1	MCS8 - POLYMERIC SOCK
			SPECIFY MESH: 040, 080, 100, 150, 200
140002006	5	1	LID GASKET MCS10 MCS6 MCS8
350000500	6	1	LID ASSEMBLY - MCS6 MCS 8 MCS10
107032010	7	1	BUSHING REDUCER 2"x1" GALV.
150050100	8	3	NIPPLE BRASS CLOSE 1"
380028 _ _ _		1	MCS8 - COMPLETE CARTRIDGE
			SPECIFY MESH: 040, 080, 100, 150, 200
137001100	9	1	BRASS BALL VLV 1"
400069050	10	3	NUT EYE 1/2" -13 SS6 SS8
400073050	11	3	WASHER FLAT 1/2" - MCS2 MCS8 SS6 SS8
400035027	12	3	BOLT HEX 1/2" -13 X 2-3/4"
385000010	13	1	PRESSURE GAUGE ASSEMBLY STD, SF, SB



RAIN BIRD IRRIGATION FILTRATION SYSTEMS
Replacement Parts List
February 1, 2014

BSF 6 - BSF SERIES SCREEN FILTERS

PART #	ITEM #	QTY	DESCRIPTION
140002003	1	1	LID GASKETS MCS2 MCS3 MCS6
350000300	2	1	LID ASSEMBLY - MCS2 MCS3 MCS6
142016313	3	1	MCS10 MCS8 MCS6 - CARTRIDGE INNER GASKET LINING
140001063	4	2	U-CHANNEL END SEALS MCS2 MCS3 MFS6 SF6
250006 _ _ _	5	1	COMPLETE WEDGEWIRE CARTRIDGE WITH END SEALS
			SPECIFY MESH: 040, 060, 080, 100, 150, 200
119506 _ _ _	6	1	MFS6 - WEDGEWIRE CARTRIDGE ONLY
			SPECIFY MESH: 040, 060, 080, 100, 150, 200

BSF 8 - BSF SERIES SCREEN FILTERS

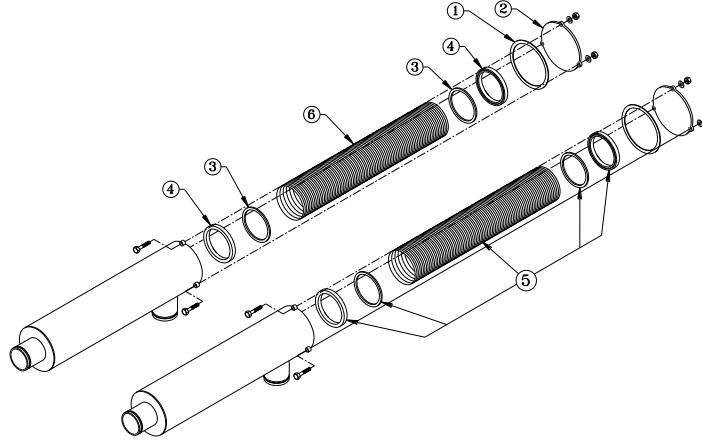
PART #	ITEM #	QTY	DESCRIPTION
140002004	1	1	LID GASKETS MCS4 MCS8
350000400	2	1	LID ASSEMBLY - MCS4 MCS8
142016313	3	1	MCS10 MCS8 MCS6 - CARTRIDGE INNER GASKET LINING
140001084	4	2	U-CHANNEL END SEALS MCS4 MCS8 SF8
250008 _ _ _	5	1	COMPLETE WEDGEWIRE CARTRIDGE WITH END SEALS
			SPECIFY MESH: 040, 060, 080, 100, 150, 200
119508 _ _ _	6	1	MCS8 - WEDGEWIRE CARTRIDGE ONLY
			SPECIFY MESH: 040, 060, 080, 100, 150, 200

BSF 10 - BSF SERIES SCREEN FILTERS

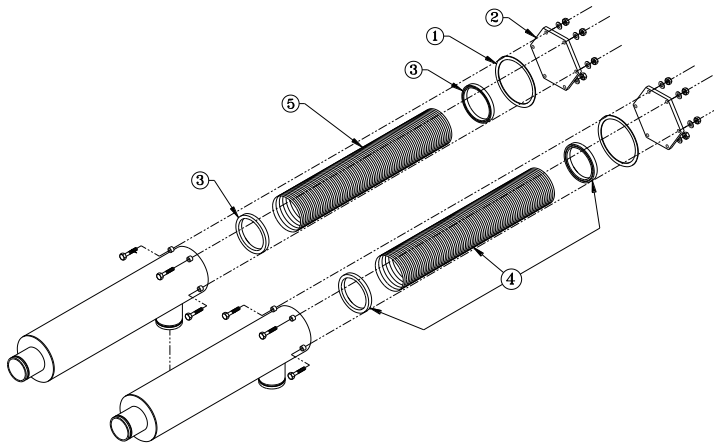
PART #	ITEM #	QTY	DESCRIPTION
142016313		1	MCS10 MCS8 MCS6 - CARTRIDGE INNER GASKET LINING
140001106		2	U-CHANNEL END SEALS MCS10 MCS6 MCS8 SF10
140002010	1	1	LID GASKET MCS10
350000800	2	1	LID ASSEMBLY - MCS10
140001010	3	2	SELF CENTERING U-CHANNEL END SEAL MCS10
250010 _ _ _	4	1	COMPLETE WEDGEWIRE CARTRIDGE WITH END SEALS
			SPECIFY MESH: 040, 060, 080, 100, 150, 200
119510 _ _ _	5	1	WEDGEWIRE CARTRIDGE ONLY
			SPECIFY MESH: 040, 060, 080, 100, 150, 200

RAIN BIRD IRRIGATION FILTRATION SYSTEMS
Replacement Parts List
February 1, 2014

BSF6 and BSF8 - BSF SERIES SCREEN FILTERS



BSF10 - BSF SERIES SCREEN FILTERS



RAIN BIRD IRRIGATION FILTRATION SYSTEMS

Replacement Parts List

February 1, 2014

HIGH FLOW RATE BASKET STRAINERS

SB 2

330008020	1	SB2 - REPLACEMENT S/S BASKET WITH CLAMP
240040020	1	SB2 - INTERMEDIATE LINING
147022 _ _ _	1	POLYMERIC SOCK - SPECIFY MESH: 040, 080, 100, 150, 200
400069050	4	NUT EYE 1/2" -13 SS6 SS8
400073050	4	WASHER FLAT 1/2" - MCS2 MCS8 SS6 SS8
400035027	4	BOLT HEX 1/2" -13 X 2-3/4"
385000010	1	PRESSURE GAUGE ASSEMBLY STD, SF, SB
137000050	1	HYDR WTR PICK-UP - 1/2" BRASS BALL VLV

SB 3 / SB 4

PART #	QTY	DESCRIPTION
142030004	1	SB3 / SB4 - GASKET RING
142020004	1	SF8 SB3 SB4 SS6 SS8 - LID GASKET
330008040	1	SB3 / SB4 - REPLACEMENT S/S BASKET WITH CLAMP
240040040	1	SB3 SB4 - INTERMEDIATE LINING
147024 _ _ _	1	POLYMERIC SOCK - SPECIFY MESH: 040, 080, 100, 150, 200
400069050	4	NUT EYE 1/2" -13 SS6 SS8
400073050	4	WASHER FLAT 1/2" - MCS2 MCS8 SS6 SS8
400035027	4	BOLT HEX 1/2" -13 X 2-3/4"
385000010	1	PRESSURE GAUGE ASSEMBLY STD, SF, SB
137000050	1	HYDR WTR PICK-UP - 1/2" BRASS BALL VLV

SB 6

PART #	QTY	DESCRIPTION
142030006	1	SB6 - GASKET RING
142020006	1	SB6 - FULL COVER LID GASKET
330008060	1	SB6 - REPLACEMENT S/S BASKET WITH CLAMP
240040060	1	SB6 - INTERMEDIATE LINING
147026 _ _ _	1	POLYMERIC SOCK - SPECIFY MESH: 040, 080, 100, 150, 200
400069050	4	NUT EYE 1/2" -13 SS6 SS8
400073050	4	WASHER FLAT 1/2" - MCS2 MCS8 SS6 SS8
400035027	4	BOLT HEX 1/2" -13 X 2-3/4"
385000010	1	PRESSURE GAUGE ASSEMBLY STD, SF, SB
137000050	1	HYDR WTR PICK-UP - 1/2" BRASS BALL VLV

RAIN BIRD IRRIGATION FILTRATION SYSTEMS
Replacement Parts List
February 1, 2014

HIGH FLOW RATE BASKET STRAINERS

SB 8

PART #	QTY	DESCRIPTION
142030008	1	SB8 - GASKET RING
142020008	1	SB8 - FULL COVER LID GASKET
330008080	1	SB8 - REPLACEMENT S/S BASKET WITH CLAMP
240040080	1	SB8 - INTERMEDIATE LINING
147028 _ _ _	1	POLYMERIC SOCK - SPECIFY MESH: 040, 080, 100, 150, 200
400069050	4	NUT EYE 1/2" -13 SS6 SS8
400073050	4	WASHER FLAT 1/2" - MCS2 MCS8 SS6 SS8
400035027	4	BOLT HEX 1/2" -13 X 2-3/4"
385000010	1	PRESSURE GAUGE ASSEMBLY STD, SF, SB
137000050	1	HYDR WTR PICK-UP - 1/2" BRASS BALL VLV

SB 10

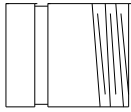
PART #	QTY	DESCRIPTION
142030010	1	SB10 - GASKET RING
142020010	1	SB10 - FULL COVER LID GASKET
330008100	1	SB10 - REPLACEMENT S/S BASKET WITH CLAMP
240040100	1	SB10 - INTERMEDIATE LINING
147029 _ _ _	1	POLYMERIC SOCK - SPECIFY MESH: 040, 080, 100, 150, 200
400069050	4	NUT EYE 1/2" -13 SS6 SS8
400073050	4	WASHER FLAT 1/2" - MCS2 MCS8 SS6 SS8
400035027	4	BOLT HEX 1/2" -13 X 2-3/4"
385000010	1	PRESSURE GAUGE ASSEMBLY STD, SF, SB
137000050	1	HYDR WTR PICK-UP - 1/2" BRASS BALL VLV

RAIN BIRD IRRIGATION FILTRATION SYSTEMS

Replacement Parts List

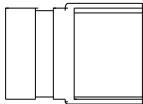
February 1, 2014

ADAPTERS



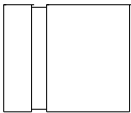
A-1 - GROOVE TO MALE PIPE THREADED – STEEL

PART NUMBER	DESCRIPTION
370010200	2"
370010300	3"
370010400	4"
370010500	5"
370010600	6"



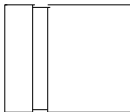
A-2 - GROOVE TO FEMALE PIPE THREADED – STEEL

PART NUMBER	DESCRIPTION
370020200	2"
370020300	3"
370020400	4"
370020500	5"
370020600	6"



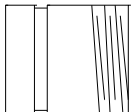
A-3 - GROOVE TO STRAIGHT PIPE – PVC

PART NUMBER	DESCRIPTION
126561525	1.5"
126562030	2"
126563040	3"
126564040	4"
126565050	5"
126566060	6"
126568080	8"
126561919	10"
126561212	12"



A-4 - GROOVE TO STRAIGHT PIPE – STEEL

PART NUMBER	DESCRIPTION
106202025	2"
106203025	3"
106204025	4"
106205025	5"
106206025	6"
106208025	8"
106210025	10"
106212025	12"

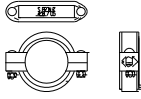


A-5 - GROOVE TO MALE PIPE THREAD – PVC

PART NUMBER	DESCRIPTION
126571522	1.5"
126572030	2"
126573035	3"
126574040	4"

RAIN BIRD IRRIGATION FILTRATION SYSTEMS
Replacement Parts List
February 1, 2014

C-1 GROOVED TYPE COUPLINGS WITH GASKET



PART NUMBER	DESCRIPTION
108510150	1.5"
108510200	2"
108510300	3"
108510400	4"
108510500	5"
108510600	6"
108510800	8"
108511000	10"
108511200	12"

REPLACEMENT GASKETS FOR C-1 GROOVED COUPLINGS



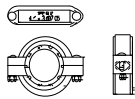
PART NUMBER	DESCRIPTION
108560150	1.5"
108560200	2"
108560300	3"
108560400	4"
108560500	5"
108560600	6"
108560800	8"
108561000	10"
108561200	12"

STEEL BLOCKING CAPS FOR C-1 GROOVED COUPLINGS



PART NUMBER	DESCRIPTION
100506035	3" X 5/8" STEEL
100560450	4" X 5/8" STEEL
100560556	5" X 5/8" STEEL
100560600	6" X 5/8" STEEL
100560863	8" X 3/4" STEEL

C-2 REDUCER COUPLINGS WITH GASKET



PART NUMBER	DESCRIPTION
108553020	3" x 2"
108540402	4" x 2"
108554030	4" x 3"
108555040	5" x 4"
108556040	6" x 4"
108556050	6" x 5"
108558060	8" x 6"

GASKET ONLY - REDUCER COUPLINGS

PART	DESCRIPTION
108570303	3" x 2"
108560442	4" x 2"
108570403	4" x 3"
108570504	5" x 4"
108570604	6" x 4"

RAIN BIRD IRRIGATION FILTRATION SYSTEMS
Replacement Parts List
February 1, 2014

NUTS & BOLTS – COUPLINGS

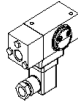
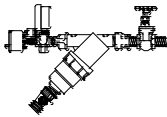
PART	DESCRIPTION
108580102	1-1/2" & 2"
108580203	3"
108580304	4"
108580506	5 & 6"
108580800	8"

POLY FITTINGS AND TUBING

PART	DESCRIPTION
143003400	1/4" POLY ELBOW - P4ME4 (1/4" X 1/4")
143003200	1/4" POLY ELBOW - P4ME2 (1/4" X 1/8")
143004000	1/4" POLY TEE - P4MT4
143010404	1/4" POLY ADAPTER - P4MC4
143000025	1/4" POLY TUBING - PRICE PER FOOT

MANUAL SYSTEM TO AUTOMATIC SYSTEM CONVERSION KITS

PART	PART	DESCRIPTION
"C" VALVE	"D" VALVE	
340018215	N/A	18-2M to 18-2A A/C
340024234	N/A	24-2M to 24-2A A/C
340030234	N/A	30-2M to 30-2A A/C
340036245	340036246	36-2M to 36-2A A/C
340048245	340048246	48-2M to 48-2A A/C
340048345	340048346	48-3M to 48-3A A/C
340048445	340048446	48-4M to 48-4A A/C
340048545	340048546	48-5M to 48-5A A/C
340048645	340048646	48-6M to 48-6A A/C



HYDRAULIC WATER PICK-UP PARTS

PART	DESCRIPTION
144025100	PRESSURE GAUGE, LIQUID FILLED, S/S HOUSING, 2.5", 100 PSI
250070110	1" "POLY" STRAINER (COMPLETE WITH 120 MESH ELEMENT)
166090025	PRESSURE REGULATOR (WATTS 26A)
137000050	1/2" BRASS BALL VALVE
250070001	YARDNEY PRESSURE DIFFERENTIAL SWITCH 0-20 PSI
166070021	DIAPHRAGM FOR ABOVE PRESSURE DIFFERENTIAL SWITCH
250070000	HYDRAULIC WATER STACK ASSEMBLY
135000026	VALVE BALL 3-WAY 1/4

RAIN BIRD IRRIGATION FILTRATION SYSTEMS
Replacement Parts List
February 1, 2014

SACRIFICIAL ANODE (FOR STAINLESS STEEL SAND MEDIA FILTERS ONLY)

PART	DESCRIPTION
143020112	SACRIFICIAL ANODE -- 12" (18", 24", 30" TANKS)
143020116	SACRIFICIAL ANODE -- 16" (36" TANKS)
143020120	SACRIFICIAL ANODE -- 20" (48" TANKS)

PAINT

PART	DESCRIPTION
411023000	SPRAY PAINT – GREEN (12 OZ.)
410011263	PRODUCTION PRIMER – GALLON
410000002	PRODUCTION FINISH - GALLON

RAIN BIRD IRRIGATION FILTRATION SYSTEMS
Replacement Parts List
February 1, 2014

FILTER AUTOMATION CONTROLLERS

PART	DESCRIPTION
250046004	Rain Bird ULTRA 116 - 4 STATION 120VOLT CONTROLLER
250046008	Rain Bird ULTRA 116 - 8 STATION 120VOLT CONTROLLER
250046012	Rain Bird ULTRA 116 - 12 STATION 120VOLT CONTROLLER
250046016	Rain Bird ULTRA 116 - 16 STATION 120VOLT CONTROLLER
160004223	Rain Bird ULTRA 116 - EXPANSION MODULE - 4 STATION
160010116	REPLACEMENT PANEL ONLY - 4 STATION 120VOLT
	Rain Bird ULTRA 116 CONTROLLER - 220 VOLT SPECIFY: 04, 08, 12, 16 STATION

CONTROLLER PARTS

PART	DESCRIPTION
163022011	220 VOLT TO 110 VOLT STEP DOWN TRANSFORMER
163011012	110 VOLT TRANSFORMER
167001807	2 CONDUCTOR JACKETED WIRE (PER FOOT)
160004200	CONTROLLER ULTRA 116 LOCK AND KEY SET



SOLAR PANELS & BATTERIES

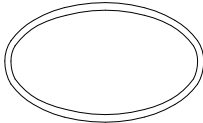
PART	DESCRIPTION
161040005	SOLAR PANEL (ONLY)
161040112	BATTERY FOR SOLAR PANEL (12 VOLT GELL CELL)

RAIN BIRD IRRIGATION FILTRATION SYSTEMS
Replacement Parts List
February 1, 2014

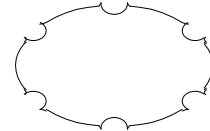


SOLENOID VALVES & COILS

PART	DESCRIPTION
166012300	12VDC LATCHING SOLENOID
250040042	12VDC CONTINUOUS SOLENOID (YARDNEY)
166002460	24VAC CONTINUOUS SOLENOID (YARDNEY)
166050012	12VDC LATCHING SOLENOID FOR THRU FLUSH VALVE
166012248	12VDC/24VAC CONTINUOUS SOLENOID FOR THRU FLUSH VALVE
166032012	SOLENOID COIL - 12VDC LATCHING (SKINNER)
166001196	SOLENOID COIL - 12VDC CONTINUOUS (YARDNEY)
166002458	SOLENOID CONDUIT PLUG W/LED IN
166001194	SOLENOID SCREW BRASS MANUAL OVERRIDE



MEDIA FILTERS
LID GASKETS



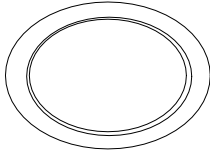
PART	DESCRIPTION
140031114	48" C/S TANK - 4 & 6 BOLT CLOSURE -- LIP SEAL (STANDARD)
142024800	48" C/S TANK - 4 BOLT CLOSURE -- 16-5/8" X 13-7/16" (FULL COVER)
142026800	48" C/S TANK - 6 BOLT CLOSURE -- 16-5/8" X 13-7/16" (FULL COVER)
142023036	36", 30" C/S TANK - 4 BOLT CLOSURE -- 9-3/4" X 7-3/4" (FULL COVER)
140031108	SEAL LIP GASKET 8" 36" TANK
142022400	24" C/S TANK - 4 BOLT CLOSURE -- 7-5/16" X 5-1/8" (FULL COVER)
142021418	18", 14" C/S TANK - 2 BOLT CLOSURE -- 5" X 4" (FULL COVER)
142020005	48", 36", 24" S/S TANK - 4 BOLT CLOSURE -- 8" ROUND (FULL COVER)
142010863	48" PVC REMOVABLE UNDERDRAIN GASKET ONLY BOLT, NUT, & WASHER SET FOR MANWAYS - EACH
142020002	GASKET 1/4x7-3/8 SB2 LID NEOPR
140031108	SEAL LIP GASKET 8" 36" TANK
140031106	SEAL LIP GASKET 6" 24&30 TANK
140031110	SEAL LIP GASKET 10" 48" TANK
315077168	LID MANWAY w/6 BOLTS FC

SPECIAL HIGH PRETFURE STYLE MANWAY GASKET, OVAL SHAPED

RAIN BIRD IRRIGATION FILTRATION SYSTEMS

Replacement Parts List

February 1, 2014



PART	DESCRIPTION
105021116	MANWAY GASKET 12x16x3/16 NEOPR
105021115	11" X 15" RING GASKET
105020608	6" X 8" RING GASKET
105020406	4" X 6" RING GASKET

RCW SINGLE TANK BACKWASH VALVE REPLACEMENT PARTS

PART	DESCRIPTION
133000151	DIAPHRAGM DOROT 1-1/2"
133000202	DIAPHRAGM DOROT 2"
133000402	DIAPHRAGM DOROT 3" & 4"
133000203	SPRING SEAT DOROT 1-1/2" & 2"
133000403	SPRING SEAT DOROT 3" & 4"
133000201	SPRING DOROT 1-1/2" & 2"
133000401	SPRING DOROT 3" & 4"
131003203	DIAPHRAGM BERMAD 2"
136094300	DIAPHRAGM BERMAD 3"
136094400	DIAPHRAGM BERMAD 4"
131003201	REPAIR KIT, BERMAD 2"

FDA APPROVED MEDIA FILTER REPLACEMENT GASKETS

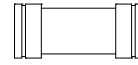
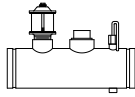
PART	DESCRIPTION	LIST PRICE
142010451	U-CHANNEL EPDM FOR PVC UNDERDRAIN (14", 18", & 24" TANKS)	\$26.00
142010864	U-CHANNEL WHITE FOR PVC UNDERDRAIN (48" & 54" TANKS)	\$30.40
142022401	LID EPDM 7" X 5-5/8" (24" TANK)	\$99.60
142023039	LID EPDM 10-1/2" X 8-3/8" (30" & 36" TANKS)	\$165.00
140031115	LIP SEAL WHITE 14" X 11" (48" & 54" TANKS)	\$35.80

RAIN BIRD IRRIGATION FILTRATION SYSTEMS

Replacement Parts List

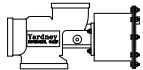
February 1, 2014

MEDIA AND SCREEN FILTERS



BACKWASH RESTRICTOR VALVES, PVC COMPONENT PARTS, AND SIGHT GLASS

PART	DESCRIPTION
360040161	RESTRICTOR VALVE 4" GROOVED INCLUDING 1-1/2" BRASS THREADED SIGHT GLASS ASSEMBLY AND VENT PORT WITH PVC PLUG
360020250	RESTRICTOR VALVE 2" GROOVED
360040100	RESTRICTOR VALVE 4" GROOVED
340022290	RESTRICTOR VALVE 2" W / 4"x2" REDUCER COUPLINGS
137000200	GATE VALVE 2" BRASS
137000400	GATE VALVE 4" BRASS
340000150	1-1/2" BRASS THREADED SIGHT GLASS ASSEMBLY
108560415	CLAMP ON SADDLE 4" X 1-1/2" (USE WITH SIGHT GLASS)
127004021	TEE PVC SCH40 2" X 1-1/2" (USE WITH SIGHT GLASS)
127004016	TEE PVC SCH40 1-1/2" SxSxFIPT (USE WITH SIGHT GLASS)
370080200	2" DIAMETER X 12" LONG GROOVED PVC SIGHT TUBE
370080400	4" DIAMETER X 12" LONG GROOVED PVC SIGHT TUBE
250029040	VALVE LOCK OUT WITH LOCK 1-1/2"
250029020	VALVE LOCK OUT WITH LOCK 1" FO



EPOXY LINED CAST IRON 3-WAY FILTER BACKWASH VALVES

PART	DESCRIPTION
340014580	454D MANUAL (36" & 48" TANKS) WITHOUT HANDLE
340013420	342C MANUAL (24" & 30" TANKS) WITHOUT HANDLE
340011150	1-1/2" MANUAL (14" & 18" TANKS) WITHOUT HANDLE
340004580	454D AUTOMATIC (36" & 48" TANKS)
340004570	454C-1 AUTOMATIC (36" & 48" TANKS)
340003440	342D AUTOMATIC (24" & 30" TANKS)
340003420	342C AUTOMATIC (24" & 30" TANKS)
340001150	1-1/2" AUTOMATIC (14" & 18" TANKS)
340014560	AUTOMATIC ACTUATOR KIT (454D VALVE)
340014550	AUTOMATIC ACTUATOR KIT (454C & 342C VALVE)
340013460	VALVE 342D AUTO ACTUATOR KIT
340011160	AUTOMATIC ACTUATOR KIT (1-1/2" VALVE)

RAIN BIRD IRRIGATION FILTRATION SYSTEMS
Replacement Parts List
February 1, 2014



HANDLES & CROSS BARS

PART	DESCRIPTION
340004548	BACKWASH HANDLE & TRIPOD ASSY 454D VALVE (36" & 48" TANKS)
340024000	BACKWASH HANDLE & TRIPOD ASSY 342 AMD 454 VALVES (24",30",36",48" TANKS)
340021500	BACKWASH HANDLE & TRIPOD ASSY 1-1/2" VALVE (14" & 18" TANKS)
350006500	THREADED TEE HANDLE (MODEL 6" & SS6)
150030006	CROSS BAR (MODEL 6" & SS6)
350009000	THREADED TEE HANDLE (MODEL 8" & SS8)
150030008	CROSS BAR (MODEL 8" & SS8)
350009000	THREADED TEE HANDLE (MODEL 10")
240003000	CROSS BAR (MODEL 10")

RAIN BIRD IRRIGATION FILTRATION SYSTEMS

Replacement Parts List

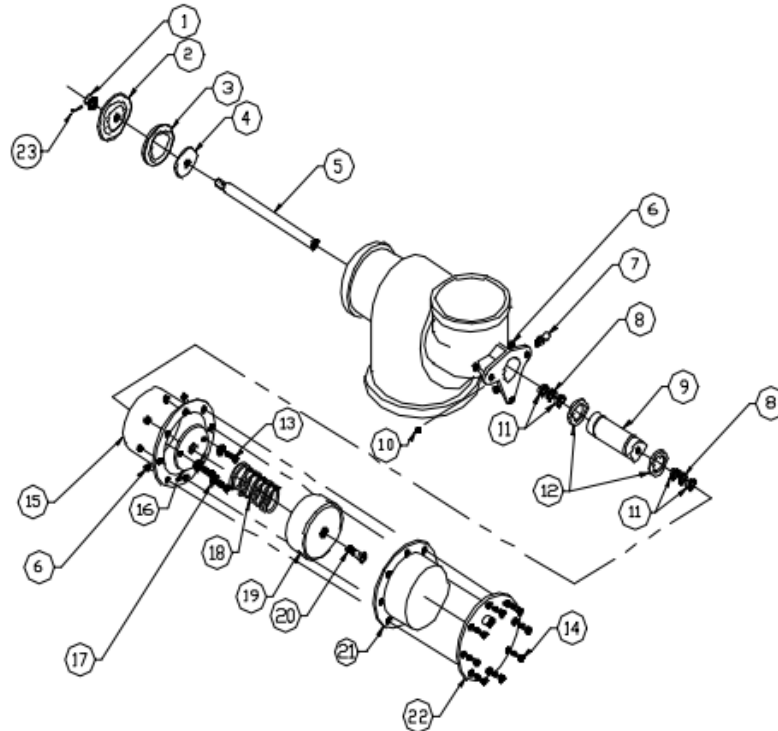
February 1, 2014

FILTER BACKWASH VALVES

4"X5"X4" AUTOMATIC CAST VALVES

454 "D" SERIES (1996-PRESENT) – PART # 340004580

PART #	ITEM #	QTY	DESCRIPTION
400066037	1	2	3/8" - 16 CASTLE HEX NUT - STAINLESS STEEL
140090400	2	1	SEAL RETAINER - LOWER - STAINLESS STEEL
136070400	3	1	URETHANE SEAL
140080400	4	1	SEAL RETAINER - UPPER - STAINLESS STEEL
136005063	5	1	5/8" X 9-5/8" SHAFT - STAINLESS STEEL
400063028	6	11	1/4" - 28 HEX NUT
136008228	7	1	GREASE FITTING
141006087	8	2	O-RINGS
255004541	9	1	4" VALVE BUSHING (BRASS)
421070025	10	1	GREASE VENT PLUG .05" X 1/4" PLASTIC
141090063	11	4	BACK-UP RINGS
141008100	12	2	BUSHING O-RING
400032512	13	3	1/4" 28 X 1-1/4" HEX BOLT
400032507	14	8	1/4" 28 X 3/4" HEX BOLT
250023200	15	1	LOWER ACTUATOR CAN
110010401	16	1	LOWER ACTUATOR CAN REINFORCING PLATE
400073025	17	3	1/4" FLAT WASHER
136062451	18	1	2-7/16" X 5-1/8" SPRING - STAINLESS STEEL
250024540	19	1	PISTON CUP ASSY - D VALVE
400052507	20	1	BOLT FLAT HEAD HEX SOCKET 1/4"-20 X 3/4"
136090454	21	1	BELLOFRAM (NO CENTER HOLE)
250024100	22	1	ACTUATOR CAN LID
400076075	23	1	1/16" X 3/4" COTTER PIN - STAINLESS STEEL

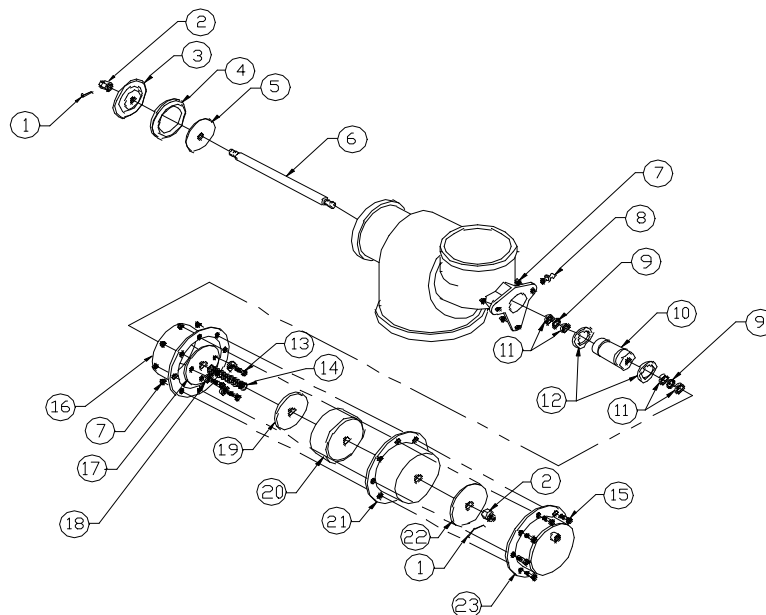


RAIN BIRD IRRIGATION FILTRATION SYSTEMS
Replacement Parts List
February 1, 2014

4"X5"X4" AUTOMATIC CAST VALVES

454 "C-1" SERIES (1985-2/1996)

PART #	ITEM #	QTY	DESCRIPTION
400076075	1	2	1/16" X 3/4" COTTER PIN - STAINLESS STEEL
400066037	2	2	3/8" - 16 CASTLE HEX NUT - STAINLESS STEEL
140090400	3	1	SEAL RETAINER - LOWER - STAINLESS STEEL
136070400	4	1	URETHANE SEAL
140080400	5	1	SEAL RETAINER - UPPER - STAINLESS STEEL
136005064	6	1	5/8" X 12-5/16" SHAFT - STAINLESS STEEL
400063028	7	11	1/4" - 28 HEX NUT
136008228	8	1	GREASE FITTING
141006087	9	2	O-RINGS
136001037	10	1	4" VALVE BUSHING (BRASS)
141090063	11	4	BACK-UP RINGS
141008100	12	2	BUSHING O-RING
400032512	13	3	1/4" 28 X 1-1/4" HEX BOLT
136001085	14	1	1" X 8-1/2" SPRING - STAINLESS STEEL
400032507	15	8	1/4" 28 X 3/4" HEX BOLT
250023200	16	1	LOWER ACTUATOR CAN
210060410	17	1	LOWER ACTUATOR CAN REINFORCING PLATE
400073025	18	3	1/4" FLAT WASHER
136022500	19	1	PISTON BACK UP PLATE
250023400	20	1	PISTON CUP / ZINC PLATED 100%
136090354	21	1	BELLOFRAM (WITH CENTER HOLE)
142800000	22	1	BELLOFRAM RETAINER PLATE - STAINLESS STEEL
250023100	23	1	UPPER ACTUATOR CAN

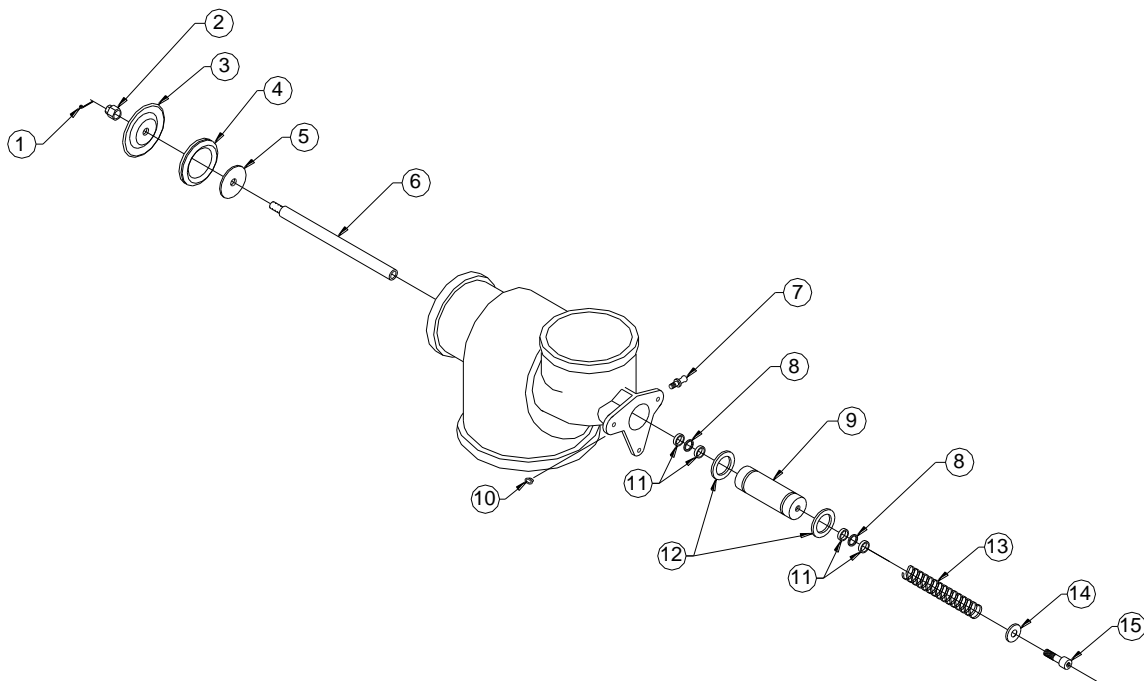


RAIN BIRD IRRIGATION FILTRATION SYSTEMS
Replacement Parts List
February 1, 2014

4"X5"X4" MANUAL CAST VALVE

454 "D" SERIES (2002-PRESENT)

PART #	ITEM #	QTY	DESCRIPTION
400076075	1	1	1/16" X 3/4" COTTER PIN - STAINLESS STEEL
400066037	2	1	3/8" - 16 HEX CASTLE NUT - STAINLESS STEEL
140090400	3	1	SEAL RETAINER - LOWER - STAINLESS STEEL
136070400	4	1	URETHANE SEAL
140080400	5	1	SEAL RETAINER - UPPER - STAINLESS STEEL
136005063	6	1	5/8" X 9-5/8" SHAFT - STAINLESS STEEL
136008228	7	1	GREASE FITTING
141006087	8	2	O-RINGS
136001037	9	1	VALVE BUSHING (BRASS)
421070025	10	1	GREASE VENT PLUG .05" X 1/4" PLASTIC
141090063	11	4	BACK-UP RINGS
141008100	12	2	BUSHING O-RINGS
136001085	13	1	1" X 8-1/2" SPRING - STAINLESS STEEL
400075075	14	1	WASHER, FENDER
400001207	15	1	BOLT FLAT HEAD HEX SOCKET 1/4" -20 X 3/4"



Inquiries & Technical
 Information
 (866) GSP-XPRT

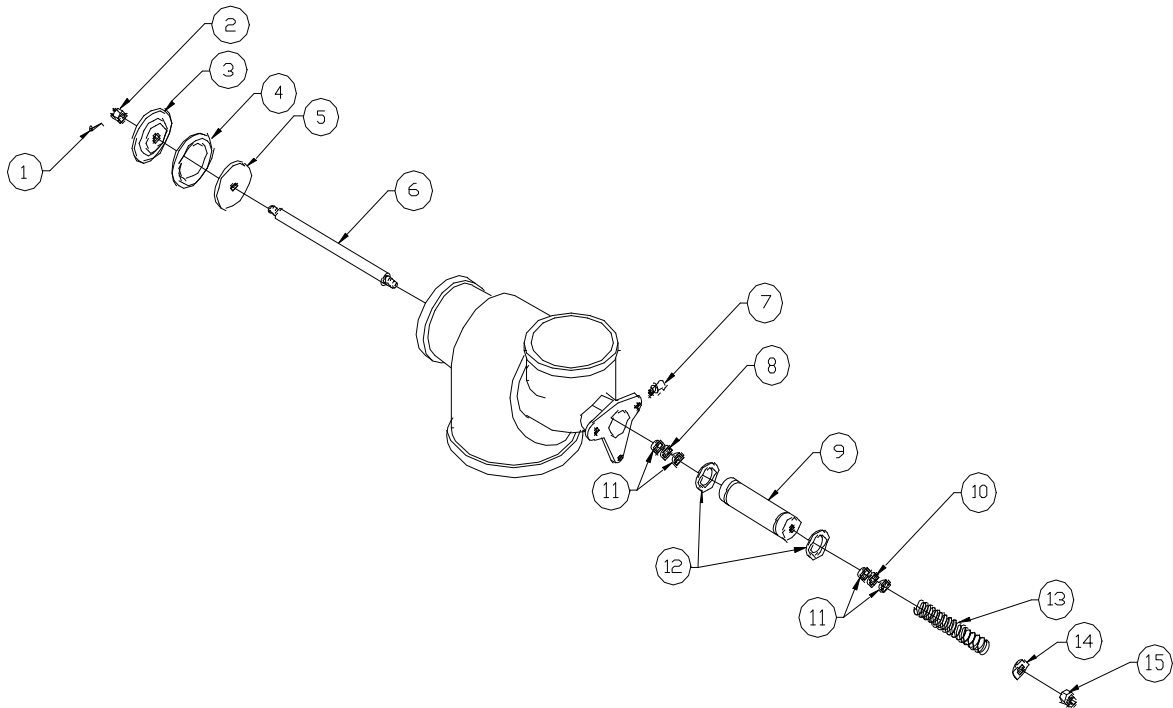
For Orders and
 Quotation Requests
 (866) 477-9778

RAIN BIRD IRRIGATION FILTRATION SYSTEMS
Replacement Parts List
February 1, 2014

4"X5"X4" MANUAL CAST VALVE

454 "C" SERIES (1985-2002)

PART #	ITEM #	QTY	DESCRIPTION
400076075	1	1	1/16" X 3/4" COTTER PIN - STAINLESS STEEL
400066037	2	1	3/8" - 16 HEX CASTLE NUT - STAINLESS STEEL
140090400	3	1	SEAL RETAINER – LOWER - STAINLESS STEEL
136070400	4	1	URETHANE SEAL
140080400	5	1	SEAL RETAINER – UPPER - STAINLESS STEEL
136005064	6	1	5/8" X 12-5/16" SHAFT - STAINLESS STEEL
136008228	7	1	GREASE FITTING
141006087	8	2	O-RINGS
136001037	9	1	VALVE BUSHING (BRASS)
141090063	10	4	BACK-UP RINGS
141008100	11	2	BUSHING O-RINGS
136001085	12	1	1" X 8-1/2" SPRING - STAINLESS STEEL
400073037	13	1	3/8" X 1" FLAT WASHER
400069063	14	1	3/8" - 16 HEX NYLON LOCK NUT



RAIN BIRD IRRIGATION FILTRATION SYSTEMS

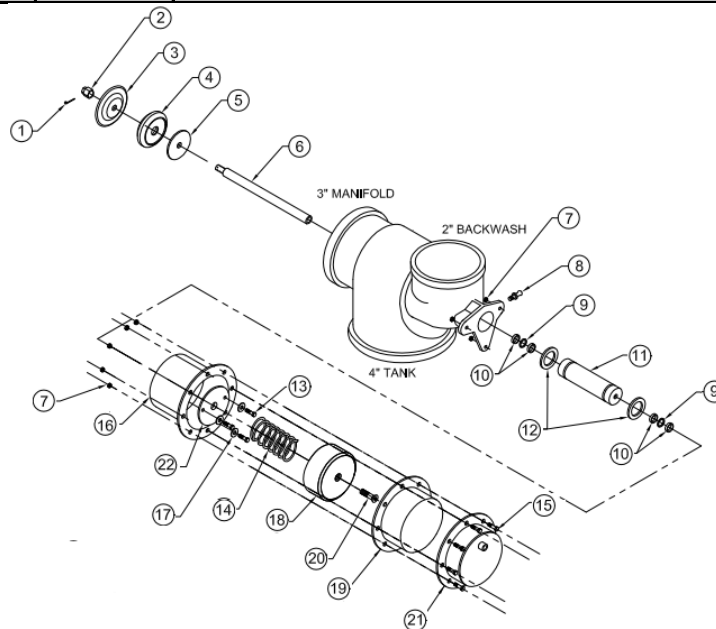
Replacement Parts List

February 1, 2014

3"X4"X2" AUTOMATIC CAST VALVE

342 "D" SERIES (2013-PRESENT) – PART # 340003440

PART #	ITEM #	QTY	DESCRIPTION
400076075	1	1	1/16" X 3/4" COTTER PIN - STAINLESS STEEL
400066037	2	1	3/8" - 16 HEX CASTLE NUT - STAINLESS STEEL
140090300	3	1	S/S SEAL RETAINER - LOWER - STAINLESS STEEL
136070300	4	1	URETHANE SEAL
140080300	5	1	S/S SEAL RETAINER - UPPER - STAINLESS STEEL
136005063	6	1	5/8" X 9-5/8" S/S SHAFT - STAINLESS STEEL
400063028	7	11	1/4" - 28 HEX NUT
136008228	8	1	GREASE FITTING
141006087	9	2	O-RINGS
141090063	10	4	BACK-UP RINGS (4 REQUIRED)
136001342	11	1	3" VALVE BUSHING (BRASS)
141008100	12	2	BUSHING O-RING
400022510	13	3	1/4" - 28 X 1" HEX BOLT
136062451	14	1	VALVE SPRING FOR D VALVE 2-7/16" X 5-1/8"
400032507	15	8	1/4" - 28 X 3/4" HEX BOLT
250023200	16	1	LOWER ACTUATOR CAN
400073025	17	3	1/4" FLAT WASHER
250024540	18	1	PISTON CUP / ZINC PLATED 100%
136090454	19	1	BELLOFRAM (NO CENTER HOLE)
400052507	20	1	FLAT HEAD HEX SS BOLD 1/4"-20 X 3/4"
250023100	21	1	UPPER ACTUATOR CAN
210060410	22	1	LOWER CAN REINFORCING PLATE



Inquiries & Technical
Information
(866) GSP-XPRT

For Orders and
Quotation Requests
(866) 477-9778

RAIN BIRD IRRIGATION FILTRATION SYSTEMS

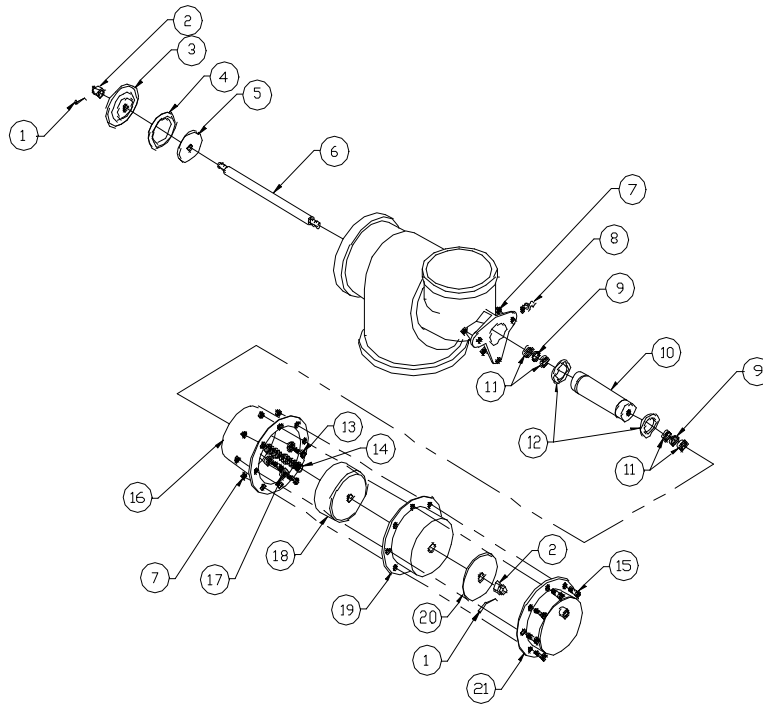
Replacement Parts List

February 1, 2014

3"X4"2" AUTOMATIC CAST VALVE

342 "C" SERIES (1985-2012)

PART #	ITEM #	QTY	DESCRIPTION
400076075	1	2	1/16" X 3/4" COTTER PIN - STAINLESS STEEL
400066037	2	2	3/8" - 16 HEX CASTLE NUT - STAINLESS STEEL
140090300	3	1	S/S SEAL RETAINER - LOWER - STAINLESS STEEL
136070300	4	1	URETHANE SEAL
140080300	5	1	S/S SEAL RETAINER - UPPER - STAINLESS STEEL
136005039	6	1	5/8" X 11" S/S SHAFT - STAINLESS STEEL
400063028	7	11	1/4" - 28 HEX NUT
136008228	8	1	GREASE FITTING
141006087	9	2	O-RINGS
136001342	10	1	3" VALVE BUSHING (BRASS)
141090063	11	4	BACK-UP RINGS
141008100	12	1	BUSHING O-RING
400022510	13	3	1/4" - 28 X 1" HEX BOLT
136001085	14	1	1" X 8-1/2" SPRING - STAINLESS STEEL
400032507	15	8	1/4" - 28 X 3/4" HEX BOLT
250023200	16	1	LOWER ACTUATOR CAN
400073025	17	3	1/4" FLAT WASHER
250023400	18	1	PISTON CUP / ZINC PLATED 100%
136090354	19	1	BELLOFRAM (WITH CENTER HOLE)
142800000	20	1	BELLOFRAM RETAINER PLATE - STAINLESS STEEL
250023100	21	1	UPPER ACTUATOR CAN



Inquiries & Technical
Information
(866) GSP-XPRT

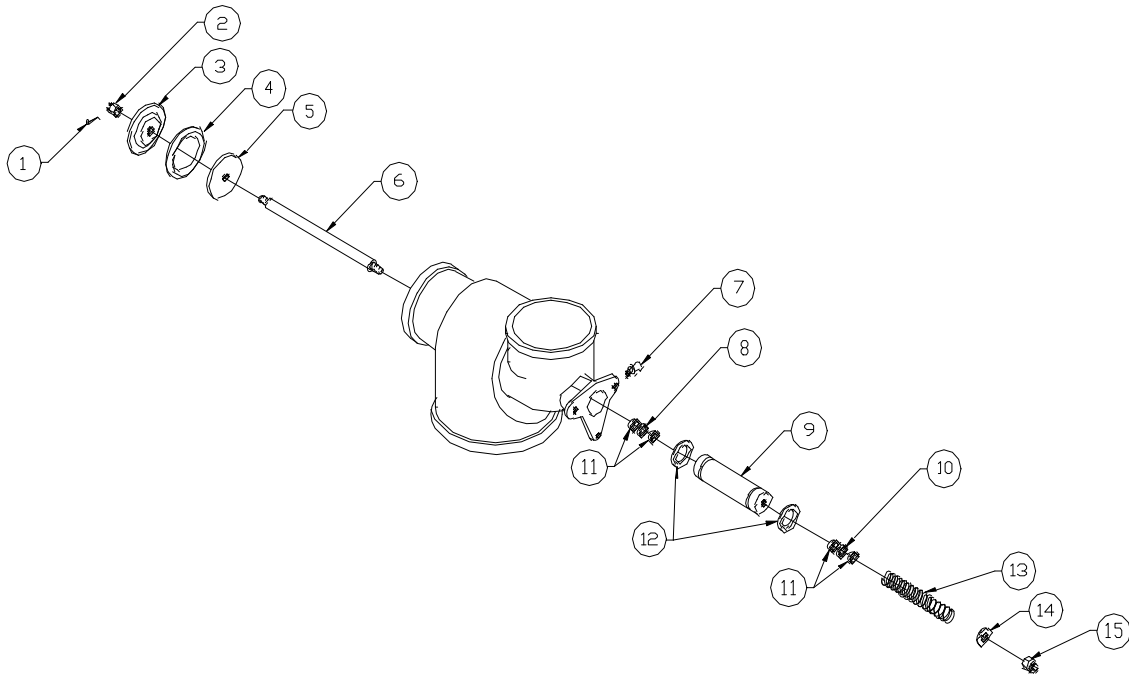
For Orders and
Quotation Requests
(866) 477-9778

RAIN BIRD IRRIGATION FILTRATION SYSTEMS
Replacement Parts List
February 1, 2014

3"X4"X2" MANUAL CAST VALVE

342 "C" SERIES (1985-PRESENT)

PART #	ITEM #	QTY	DESCRIPTION
400076075	1	1	1/16" X 3/4" COTTER PIN - STAINLESS STEEL
400066037	2	1	3/8" - 16 HEX CASTLE NUT - STAINLESS STEEL
140090300	3	1	SEAL RETAINER – LOWER - STAINLESS STEEL
136070300	4	1	URETHANE SEAL
140080300	5	1	SEAL RETAINER – UPPER - STAINLESS STEEL
136005039	6	1	5/8" X 11" SHAFT - STAINLESS STEEL
136008228	7	1	GREASE FITTING
141006087	8	2	O-RINGS
136001342	9	1	VALVE BUSHING (BRASS)
141090063	10	4	BACK-UP RINGS
141008100	11	2	BUSHING O-RINGS
136001085	12	1	1" X 8-1/2" SPRING - STAINLESS STEEL
400073037	13	1	3/8" X 1" FLAT WASHER
400069063	14	1	3/8" - 16 HEX NYLON LOCK NUT

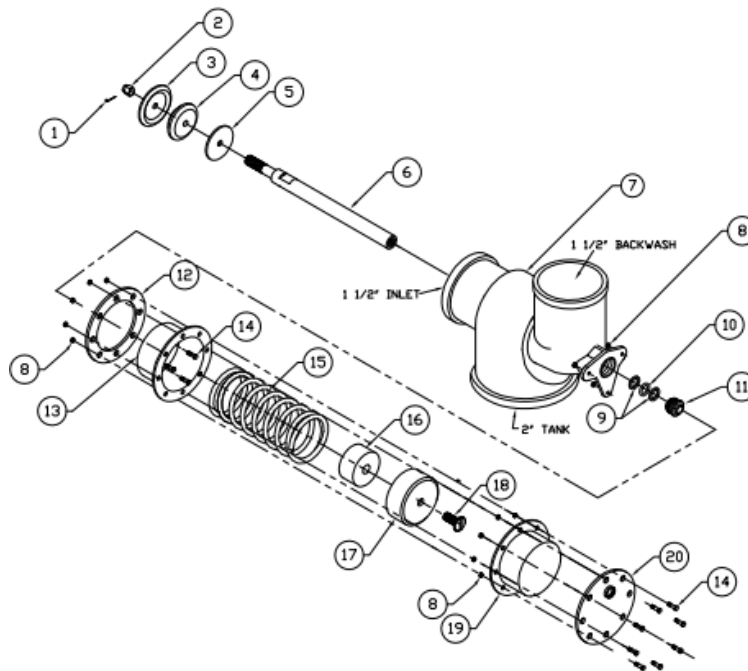


RAIN BIRD IRRIGATION FILTRATION SYSTEMS
Replacement Parts List
February 1, 2014

1-1/2"X2"X1-1/2" CAST VALVES

1-1/2" D SERIES (3/2013-PRESENT) AUTOMATIC CAST VALVE – PART # 340001151
1-1/2" D SERIES (3/2013-PRESENT) MANUAL CAST VALVE – PART # 340011150

PART #	ITEM #	QTY	DESCRIPTION	LIST PRICE
400076050	1	1	3/64" X 1/2" COTTER PIN - STAINLESS STEEL	\$0.40
400066025	2	1	1/4" - 20 HEX CASTLE NUT - STAINLESS STEEL	\$4.50
140090150	3	1	SEAL RETAINER - LOWER - STAINLESS STEEL	\$7.50
136070150	4	1	URETHANE SEAL	\$23.10
400075075	5	1	RETAINER PLATE - STAINLESS STEEL	\$1.10
136005025	6	1	3/8" X 6 1/2" SHAFT - STAINLESS STEEL	\$53.00
250030115	7	1	1/4" - 28 HEX NUT	\$220
400063028	8	11	NUT HEX 1/4"-28 ZP	\$0.70
141090037	9	2	1 1/2" VLV - BACK-UP RINGS (2 REQUIRED)	\$2.10
141000037	10	1	1 1/2" VLV - O-RING (1 REQUIRED)	\$2.00
136007375	11	1	1 1/2" VLV - O-RING RETAINER (BRASS)	\$45.40
110011500	12	1	1 1/2" VLV - ACTUATOR CAN FLANGE PLATE	\$44.90
250021200	13	1	1 1/2" VLV - LOWER ACTUATOR CAN	\$51.70
400022510	14	11	1/4" - 28 X 1" HEX BOLT	\$1.80
136060039	15	1	VALVE SPRING 1-1/2" AUTO, 1" x	\$16.60
136010125	16	1	VALVE SHAFT BUSHING .895x1/2"	\$29.70
250021300	17	1	1 1/2" VLV - PISTON	\$34.10
400047315	18	1	BOLT 1/4-20x1/2" 18/8 SS SLOT/	\$1.00
136090251	19	1	VALVE DIAPHRAGM 2-1/2" NO HOLE	\$76.80
250024202	20	1	CAN ACTUATOR LID 1 1/2 D	\$108



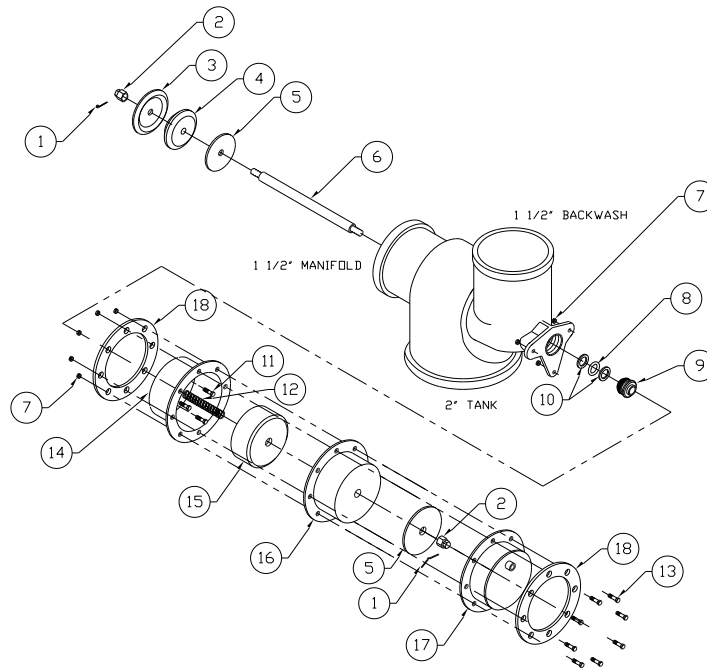
Inquiries & Technical
 Information
 (866) GSP-XPRT

For Orders and
 Quotation Requests
 (866) 477-9778

RAIN BIRD IRRIGATION FILTRATION SYSTEMS
Replacement Parts List
February 1, 2014

1-1/2" SERIES (UP TO 3/2013)- AUTOMATIC CAST VALVE – PART # 340003420
1-1/2" SERIES (UP TO 3/2013) - MANUAL CAST VALVE – PART # 340013420

PART #	ITEM #	QTY	DESCRIPTION
400076050	1	2	3/64" X 1/2" COTTER PIN - STAINLESS STEEL
400066025	2	2	1/4" - 20 HEX CASTLE NUT - STAINLESS STEEL
140090150	3	1	SEAL RETAINER - LOWER - STAINLESS STEEL
136070150	4	1	URETHANE SEAL
400075075	5	2	RETAINER PLATE - STAINLESS STEEL
136005038	6	1	3/8" X 6 1/2" SHAFT - STAINLESS STEEL
400063028	7	11	1/4" - 28 HEX NUT
141000037	8	1	O-RING
136007375	9	1	O-RING RETAINER (BRASS)
141090037	10	2	BACK-UP RINGS
400022510	11	3	1/4" - 28 X 1" HEX BOLT
136060038	12	1	5/8" X 4" SPRING - STAINLESS STEEL
400032507	13	8	1/4" - 28 X 3/4" HEX BOLT
250021200	14	1	LOWER ACTUATOR CAN
250021300	15	1	PISTON
136090250	16	1	BELLOFRAM
250021100	17	1	UPPER ACTUATOR CAN
110011500	18	1	ACTUATOR CAN FLANGE PLATE



Inquiries & Technical
 Information
 (866) GSP-XPRT

For Orders and
 Quotation Requests
 (866) 477-9778

RAIN BIRD IRRIGATION FILTRATION SYSTEMS
Replacement Parts List
February 1, 2014

CAST IRON FILTER BACKWASH VALVE REBUILD KITS

PART #	DESCRIPTION
340014541	454 "D" VALVE REBUILD KIT
340014542	454 "C" VALVE REBUILD KIT
340014543	454 "B" VALVE REBUILD KIT
340014544	454 "A" VALVE REBUILD KIT
340013421	342 "C" VALVE REBUILD KIT
340013422	342 "B" VALVE REBUILD KIT
340011151	1-1/2" AUTOMATIC VALVE REBUILD KIT
340014545	454 "C" VALVE TO 454 "D" VALVE CONVERSION KIT
340013424	342 "C" VALVE TO 342 "D" VALVE CONVERSION KIT
340011152	1-1/2 "C" VALVE TO 1-1/2 "D" VALVE CONVERSION KIT
315076454	454D SHAFT REBUILD KIT

- NOTE; 1. REBUILD KIT INLCUDES BELLOFRAM, URETHANE SEAL, O-RING, BACK-UP RINGS, AND BUSHING O-RING, COTTER PIN, AND CASTLE NUT.
 2. CONVERSION KIT INLCUDES SHAFT, PISTON CUP, SPRING, FLAT HEAD BOLT, AND ACTUATOR CAN LID IN ADDITION TO ABOVE PARTS.

PUMP SUCTION SCREENS - REPLACEMENT PARTS

PART #	DESCRIPTION
SPECIFY MODEL #	INTERNAL WAND ASSEMBLY
146129000	BRASS BEARING ASSEMBLY
146129004	100% SEALED BEARING ASSEMBLY
146129001	BRASS SPRAY NOZZLE
147515020	REPLACEMENT Y - STRAINER 1-1/2"
147515002	REPLACEMENT Y - STRAINER SCREEN ONLY - 20 MESH
SPECIFY MODEL #	MESH SCREEN (10,18,30 MESH) WITH BANDS

RAIN BIRD IRRIGATION FILTRATION SYSTEMS
Replacement Parts List
February 1, 2014

FLANGE X GROOVE ADAPTERS WITH GASKET



PART #	DESCRIPTION
109098020	2"
109098030	3"
109098040	4"
109098060	6"
109098080	8"
109098100	10"

REPLACEMENT GASKET FOR FLANGE X GROOVE ADAPTERS



PART #	DESCRIPTION
109098022	2"
109098032	3"
109098042	4"
109098062	6"
109098082	8"
109098101	10"