

## Decoders

### Maxicom<sup>2</sup>® Decoders: SENSOR–PULSE

Decoders enable the Maxicom<sup>2</sup> system to extend its reach far beyond the irrigation function. With the use of decoders, Maxicom<sup>2</sup> becomes a complete landscape and environmental control system.

#### Features

- Complete feedback system
- Extends Maxicom<sup>2</sup> Central Control System versatility
- Color-coded wire leads for ease of installation
- Programmable address codes for individual operation
- Encapsulated in moisture- and UV-resistant case for use in outdoor conditions

#### Functions

- **Sensor Decoder:**  
Monitors dry contact switches (moisture sensor, pressure switch, security systems, etc.) for open or closed conditions and informs the system of switch status
- **Pulse Decoder:**  
Reads pulses from monitoring devices and sends the information to system for analysis and action

#### Electrical Specifications

- Input required: 26 VAC (provided by the 2-wire communication path. No separate power supply required)

#### Dimensions

- Top: 3/4" diameter (8,3 cm)
- Height: 8" (20,3 cm)
- Bottom: 2 1/2" (6,4 cm)

#### Models

- DECSEN: Sensor Decoder
- DECPUL: Pulse Decoder

*Note: All Maxicom<sup>2</sup> decoders function with the 2-wire communication path only. They are not required for the MAXILink™ communication path or ESP-SITE Satellite systems.*



#### How to Specify

**DECSEN** – Sensor Decoder

**DECPUL** – Pulse Decoder



## Specifications

The Maxicom<sup>2®</sup> Computerized Control System shall be capable of having integrated into it various types of decoders.

By the use of sensor decoders, the control system may be regulated according to such devices a wind sensors, moisture sensors, temperature controls, rain sensors, etc.

{Pulse decoders shall provide the means for recording, at the computer, such things as amount of flow in a given period of time and other desirable data within the system.

On the 2-wire path(s) indicated and where shown on the drawings and/or instructed, install SENSOR decoders (model #DECSEN) for integration with the following specified sensing devices: (\_\_\_\_\_). The sensor wires (yellow in color) shall be connected to the sensing device switch. The sensing device MUST have a "DRY" (NO voltage at the switch) switch closure or a switch opening action at its threshold point.

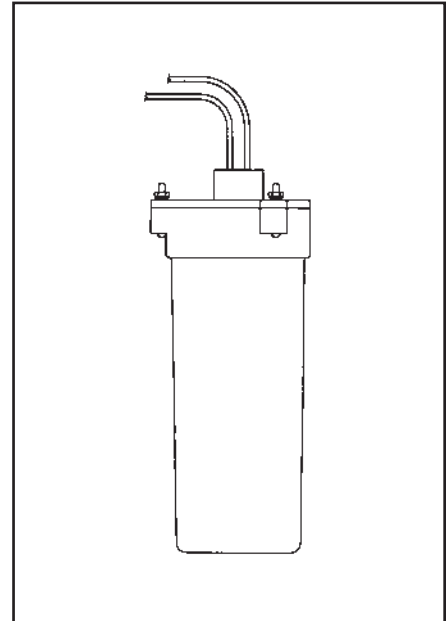
On the 2-wire path(s) indicated and where shown on the drawings and/or instructed, install PULSE decoders (Model #DECPUL) for integration with the following specified recording devices: (\_\_\_\_\_). The pulse decoder wires (blue in color) shall be connected to the contacts of the Momentary "Dry" Contact Switch of the recording device. The recording device (flow meter, etc.) MUST have a MOMENTARY contact switch closure action of NOT LONGER than 200 milliseconds and NOT MORE than 10 closures per minute.

The decoders shall be of solid-state design and housed in a watertight molded plastic cylindrical housing. The decoder leads shall be 18-gauge, insulated, stranded copper conductors of colors as indicated above. Wire leads shall be not less than 12" long. All decoder wire connections shall be made using watertight electrical connections suitable for the wire type being connected, as recommended by the manufacturer. The decoders shall be mounted in the pedestals of the field satellite units, in the NEMA enclosures, or inside a building, etc. Decoders SHALL NOT be mounted underground unless ABSOLUTELY necessary. Where it is ABSOLUTELY necessary to place them underground, they shall be placed in a standard 12" x 18" valve box. The valve box shall be mounted on an 18" deep bed of pea gravel to provide adequate drainage for the valve box.

All decoders shall be for 28-Volt AC input service (provided by the 2-wire CCU communication path).

The decoders shall be Year 2000 compliant.

All decoders shall be as manufactured and furnished by Rain Bird Corporation, Glendora, California.



---

### **Rain Bird Corporation**

Contractor Division  
970 West Sierra Madre Avenue, Azusa, CA 91702  
Phone: (626) 963-9311 Fax: (626) 812-3411

### **Rain Bird Corporation**

Commercial Division  
6991 East Southpoint Road, Tucson, AZ 85706  
Phone: (520) 741-6100 Fax: (520) 741-6522

### **Rain Bird International, Inc.**

145 North Grand Avenue, Glendora, CA 91741  
Phone: (626) 963-9311 Fax: (626) 963-4287

### **Rain Bird Technical Service**

(800) 247-3782 (U.S. only)

[www.rainbird.com](http://www.rainbird.com)

[CentralControl@rainbird.com](mailto:CentralControl@rainbird.com)

Rain Bird. Conserving More Than Water.

® Registered trademark of Rain Bird Corporation.  
© 2002 Rain Bird Corporation 9/02

D37018D