

## Horizontal End Suction - 1 Pump - M Series

### Medium Flow Pump Station

20 to 50 HP; Up to 120 psi (8.3 bar); Up to 600 gpm (37.9 lps, 136 m<sup>3</sup>/h)

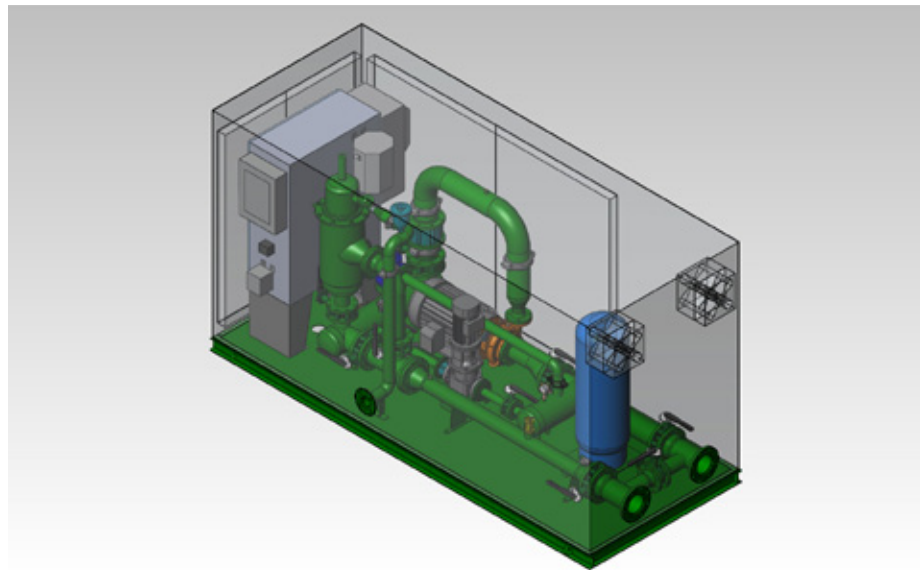
Rain Bird's single pump, Horizontal End Suction station in a medium enclosure is designed for medium-flow boost, flooded suction and suction lift applications, such as; parks, sports complexes, golf courses, turf farms and other agricultural projects. Its mid-sized design, durable centrifugal pump configuration, choice of options and enclosures make it an ideal choice for Turf irrigation applications with flows up to 600 gpm (37.9 lps, 136 m<sup>3</sup>/h).

#### At-A-Glance Description

- **High Performance Control Package** – Options include a cost-effective monochrome touch-panel display or high resolution color touch-panel display for improved user interface and remote monitoring via VNC (Virtual Network Computing)
- **Energy efficient** – Variable Frequency Drive (VFD) maintains constant pressure at varying flow demand.
- **Enhanced Serviceability** – Modern electrical design utilizing industrial breaker motor protection instead of fuses. Industrial circuit breakers are quickly reset and designed for an extended service life.
- **Inlet and discharge isolation valves** for easier mechanical serviceability.

#### Standard Features

- **Plumbing Configurations**
  - Inlet and Discharge Piping on the opposite side of the enclosure (as shown)
- **Mechanical Features**
  - Inlet Butterfly Isolation Valve
  - Discharge Butterfly Isolation Valve
  - Pump Isolation Valve
  - Silent Check Valve
- **Pressure / Flow**
  - Stainless Steel Pressure Transducer
  - Paddlewheel Flow Meter
- **Enclosures / External Connections**
  - Marine Grade Aluminum Enclosure
  - Polyester Powder-Coated Steel Deck and Piping
  - Thermostat and Fan on Mechanical Enclosure



- Re-Prime Piping (Suction Lift Only)
- **Pump Control**
  - Pump Start Relay
  - VFD - Variable Frequency Drive for Control of Pressure
- **Display**
  - 4 Line Monochrome Touch Screen Display
- Intake Screen
- Self-Cleaning Intake Screen
- **External Connections**
  - Zee Pipe
- **Lake Level Control**
  - Lake Level Controls (Float or Analog)
  - Lake Level Shut Off (Float)

#### Optional Features

- Pressure Maintenance Pump (PM Pump)
- (continued on back)*

#### Accessories

- **Intake Filters**
  - HDPE Suction Intake Piping
  - Foot Valve

#### Horizontal End Suction – 1 Pump – Medium Enclosure

Motor Size	20 HP	25 HP	30 HP	40 HP	50 HP
Pump Type	Horizontal End Suction				
Power Requirements: (Other power configurations available upon request)	480/60/3 V/HZ/PH				
	208-230/60/3 V/HZ/PH				
Inlet Pressure Requirement	Suction Lift (up to 3 ft. lift), or Boost Applications				
Outlet Pressure	Up to 120 psi (8.3 bar) <sup>(1)</sup>				
Outlet Flow	600 gpm (37.9 lps, 136 m <sup>3</sup> /h) <sup>(1)</sup>				
Concrete Slab Dimensions (min)	162" x 72" (412 cm x 183 cm)				
Platform Skid Dimensions (min)	150" x 60" (381 cm x 152 cm)				
Inlet / Discharge Size	6" or 8" Flange Fitting				

*(1) Refer to pump performance curves, provided upon request from pumps@rainbird.com*

## Optional Features (cont.)

- **Plumbing Configurations**

- Pump Bypass

- **Filters**

- Wye Strainer
- G-Series Filter (<400 GPM)

- **Mechanical Feature**

- Pressure Relief Valve
- Bladder Tank
- Hose Bib

- **Pressure / Flow**

- Magnetic Flow Meter

- **Enclosures**

- Powder coated aluminum enclosure in tan or green (custom colors available upon request)
- Environmental Package: includes heater and insulation/sound dampening
- AC Unit
- Marine Grade Aluminum Enclosure with custom colors
- Power Zone: 3, 5, or 10 kVA (110-220 VAC)
- Less Enclosure (pump and deck only)

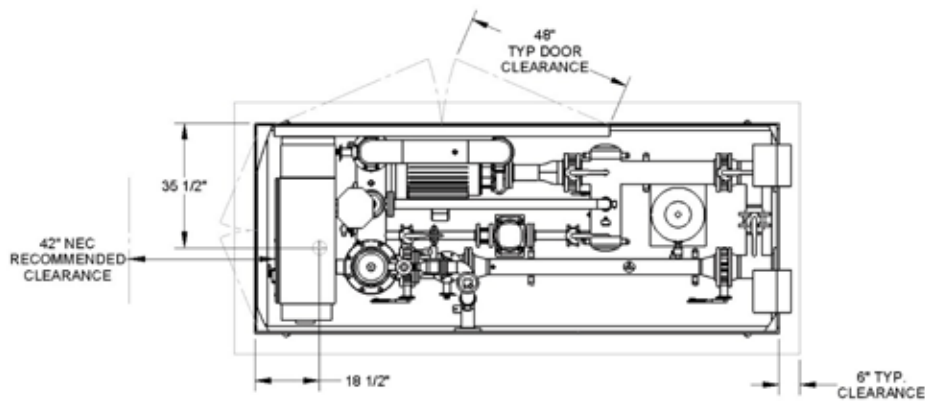
- **Display**

- Enhanced PLC controls package with 8.4" High Resolution, Color Touch Panel display with VNC communication ability and Multi Language Capability

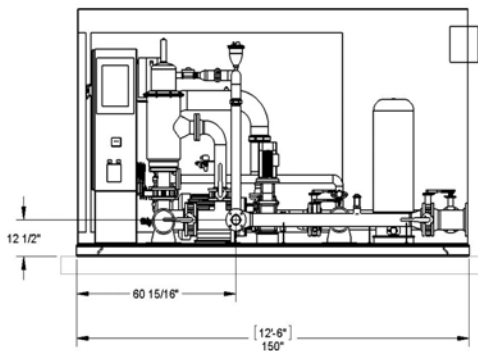
- **Communication Options**

- Ethernet Radios and Hardwire Extenders (available when the touchscreen is upgraded)

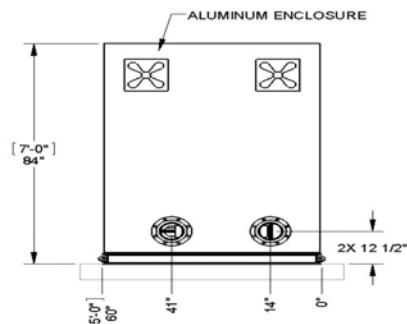
## Details



Plan View



Profile View



Side View

### Rain Bird Corporation - Pumps Division

6991 E. Southpoint Road  
 Tucson, AZ 85756  
 Applications Group: (520) 806-5620  
 Fax: (520) 741-6191  
 E-mail: pumps@rainbird.com

The Intelligent Use of Water™  
[www.rainbird.com](http://www.rainbird.com)