

Main Irrigation Pump Stations

Vertical Turbine and End Suction Pump Stations providing up to 10,000 GPM (2273 m³/h) at 150 psi (10.3 bar) and greater.

Standard and Custom Designs Available for wet-well, flooded-intake, and lift applications.

Benefits

- Easy Operator Training; Intuitive Full Color Touch Screen is easy to navigate, unlike text based displays
- Easy Installation and Start-up; All stations are wet-tested prior to shipment
- No hassle buying and single point responsibility; purchase all irrigation system components from one supplier
- Renovation Made Simple; Rain Bird® can custom design a pump station to back fit into existing sites using advance 3D modeling
- Real Time Communication; Only Rain Bird's Smart Pump™ software optimizes irrigation and pump station operation in Real Time.

Features

- Variable Frequency Drive (VFD) for maximum energy efficiency
- Air to Liquid Control Panel Heat Exchanger for maximum VFD life
- NEMA 4 Electrical Panel for maximum protection of electrical components
- WP1 and ODP motors standard with optional TEFC motors available
- Electrical Power Surge Protection
- Power-loss auto-restart ensures seamless operation on loss/regain of electrical power
- Modern electrical design employs industrial grade circuit breaker motor protection instead of outdated and expensive to replace fuses.
- Complete skid and piping garnet blasted and powder coated for maximum corrosion resistance
- Pressure relief valve with butterfly isolation valve protects the station from over pressurization while ensuring serviceability
- Stainless steel pressure transducer for maximum durability



- Mechanical actuated air relief system to ensure smooth system operation
- Individual pump silent check valves and isolation valves
- Integral wet-well service hatch on vertical turbine pump stations
- Lake level floats prevent inadvertent dry-running of vertical turbine pumps
- 3HP (2.2kW) and greater Pressure Maintenance Pumps and Motors available

Options

- Magnetic Flow Meter
- AC Control Panel Cooling
- Fabricated Steel Discharge Z-pipe, powder coated, with (3) 3/4" FNPT ports and 2" blow out port
- Fabricated Vertical Turbine Pump Discharge Heads
- Well intake box screen with stainless steel screen on three sides
- Mounted Pump Station Heater (This will add 11 amps to the total power demand of the pump station)
- Lake Level Controls: Float and Ultra Sonic types available
- Auto-flush Wye Strainer
- Rain Bird Automatic Backwashing Screen Filter with 60 mesh (250 micron) screen and bypass manifold

- Suction-scan automatic filter with screen element and bypass manifold
- Hard-wired communication modems (Communication cable and surge suppression provided by others)
- Radio modem kit (requires "line of site" visibility between the pump station and central control antennas)
- Fertigation run relay and optical isolator

Buy with Confidence

- Over 1000 installed pump stations worldwide
- Extensive service network
- Full pump station testing prior to shipment

Electrical Power Specifications

- 60Hz, 3Φ Power: 230V, 460V, 575V
- 50Hz, 3Φ Power: 190V, 380V, 415V

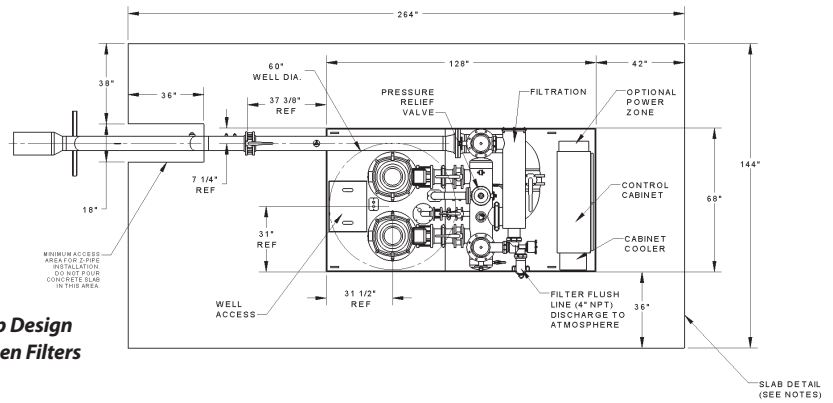
Customer Satisfaction Policy

Rain Bird® guarantees its pump station products to be free of defects for a period of one (1) year from the date of start-up, but not later than sixteen (16) months from the date of shipment.

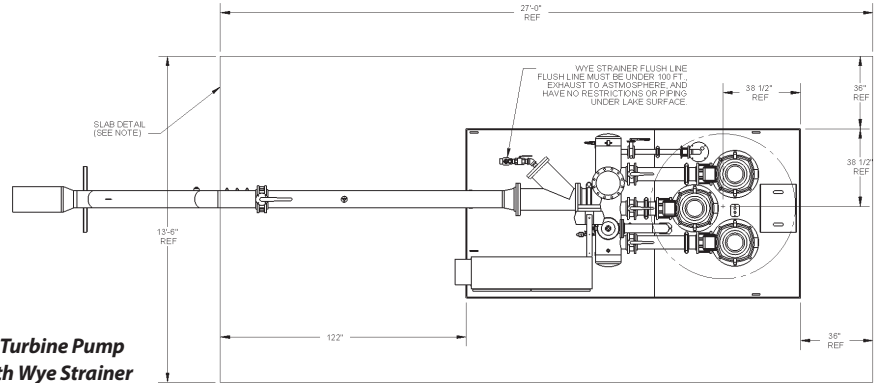


Rain Bird's Main Irrigation Pump Station's can be custom designed to meet site specific requirements.

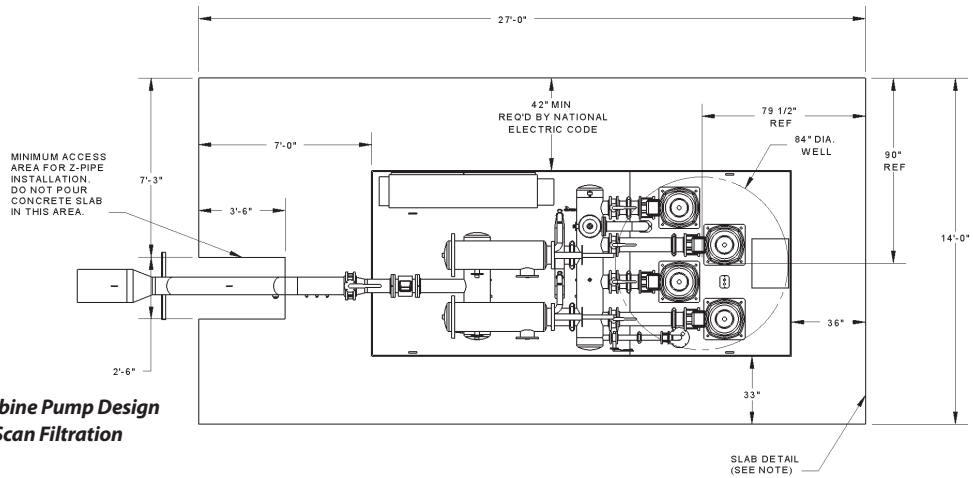
2 Vertical Turbine Pump Design with Back Flushing Screen Filters



3 Vertical Turbine Pump Design with Wye Strainer



4 Vertical Turbine Pump Design with Suction Scan Filtration



Rain Bird Corporation

6991 E. Southpoint Road, Tucson, AZ, 85706, U.S.A.
Phone: (520) 741-6100 Fax: (520) 741-6522

Rain Bird Corporation

970 W. Sierra Madre Avenue, Azusa, CA, 91702, U.S.A.
Phone: (626) 812-3400 Fax: (626) 812-3411

Rain Bird International, Inc.

P.O. Box 37, Glendora, CA, 91740-0037, U.S.A.
Phone: (626) 963-9311 Fax: (626) 852-7343

Technical Service and Support

(800) RAINBIRD (U.S. and Canada only)

Specification Hotline

(800) 458-3005 (U.S. and Canada only)

www.rainbird.com

The Intelligent Use of Water™ -- Visit www.rainbird.com to learn about our efforts

* Registered trademark of Rain Bird Corporation.
© 2008 Rain Bird Corporation 7/08