



Rain Bird HDF Series 4 User's Manual

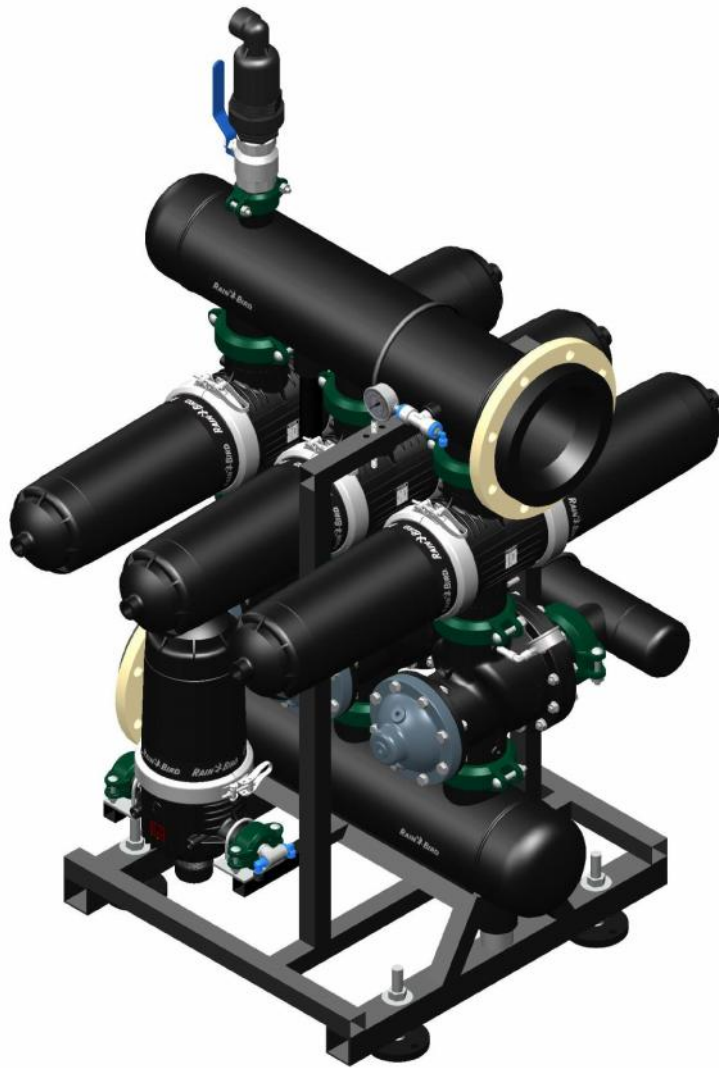


TABLE OF CONTENTS


1. Symbols	3
2. Important Information.....	4
3. Introduction.....	5
4. How it Works.....	6
4.1 Filtration Phase.....	6
4.2 Backflushing Phase.....	7
5. Product Identification.....	8
5.1 Assembly Part Identification	8
5.2 Product Labeling.....	8
5.3 Filter Part Identification.....	9
6. Installation Instructions.....	10
6.1 Installation Steps.....	10
6.2 Adjusting the Height of the Equipment.....	10
6.3 Securing the Equipment.....	10
6.4 Connection of the main manifolds, inlet, outlet and drainage.....	10
7. Control Unit Connection.....	10
8. Operation Instructions.....	10
8.1 Before Starting –Up.....	10
8.2 Start-Up.....	10
9. Maintenance.....	10
9.1 Inspection of the Filters	15
9.2 Manual Clean of the Discs	15
9.3 Checking o-rings in the Filter Element.	16
9.4 Checking the Removable Elements of the Filter.....	16
9.5 Inspecting the Piston Element	16
9.6 Checking Component s.....	17
10. Possible Problems and Solutions.....	18
11. Warranty.....	20

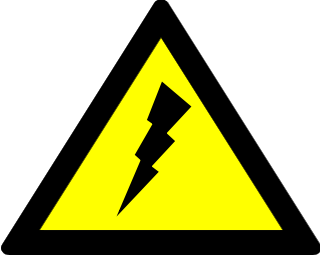
1. SYMBOLS

The Warning and Safety Information provided are guidelines only; use all necessary security and accident prevention methods to guarantee your security.

The improper use of the equipment may cause injury to people, damage to property and the environment. Improper use or modification of the equipment voids its warranty

System of symbols used in this manual:

	<p>Failure to obey the instructions and warnings could cause injury to people, damage to the equipment and to the surrounding areas.</p>
--	---

	<p>Failure to obey the instructions and warnings could cause serious injury and an electrical risk.</p>
---	--

2. IMPORTANT INFORMATION

Rain Bird filtration equipment has been designed to filter water, in accordance with the operating conditions outlined in this manual and the label on the equipment.

- Rain Bird filtration systems are NOT designed for the filtration of hazardous liquids (such as those specified in section 2 of article 2 of the Executive Committee 67/548/CEE, 27th June 1967) or liquids for food use.
- This equipment has been designed and manufactured to satisfy the requirements communicated to the manufacturer by the customer. Any change in its use could cause damage not covered by the warranty.
- Save this manual so the user of the equipment can familiarize themselves with it.
- These are general instructions for safe operation of the equipment. These instructions are not a complete list; the user must adopt as many security measures as necessary to guarantee their safety.
- Follow the instructions described in this manual.
- Do not open the filter clamp when the equipment is pressurized, it could cause serious injury to people, the equipment and the surrounding area.
- Do use adequate personal protective equipment (proper working clothing, safety glasses, steel toed boots and other elements of personal protection).
- Determine the chemical compatibility between the equipment's materials and the characteristics of the water to be filtered.
- Before using the equipment, make sure that all the covers are closed properly and that the connections are in good condition.
- Make sure that the equipment is depressurized by reading the gauges on the filters inlet and outlet manifold before exposing the interior of the equipment to atmosphere (before opening any filter, removing any coupling, etc.)
- Do not forget to close the safety lock on the clamp. It will prevent its accidental opening.
- Do not exceed the maximum pressure or operation intervals (pressure, temperature, pH, and flow rate) indicated in the Technical Data.
- In freeze areas, empty the filtration system to prevent damage.

3. INTRODUCTION

Thank you for selecting a Rain Bird HDF Series 4 Disc filtration system. Please read this manual carefully and you will find answers to most of your questions.

IF YOU HAVE ANY QUESTION OR NEED ADDITIONAL INFORMATION; PLEASE CONTACT US AT (520) 806-5620 or filters@RainBird.com

Rain Bird HDF Disc Filters systems are subject to strict quality control tests and are manufactured under a production process which complies with the requirements of ISO 9001/2000.

Rain Bird is committed to the environment, and Rain Bird HDF Disc Filters Series 4 filtration systems are certified under the Environmental Management System of the standard ISO 14001.

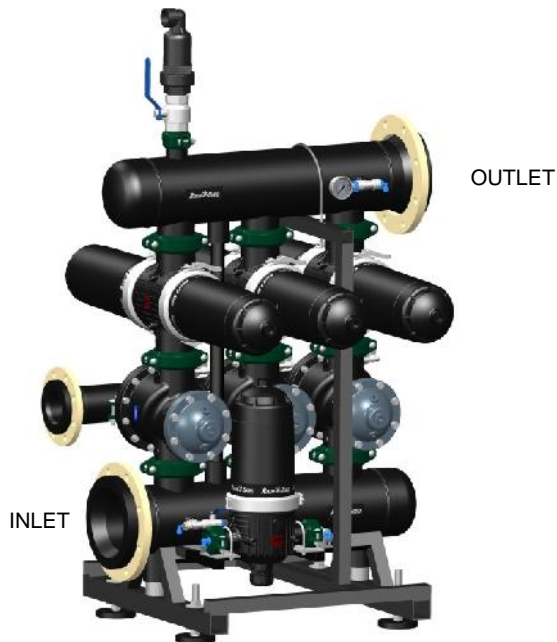
This manual includes instructions and warnings for correct installation, operation and maintenance of the equipment.



4. HOW IT WORKS

Rain Bird HDF Series 4 Disc Filters consists of a filter element comprised of grooved discs that allow the retention of particles of a size larger than the required filtration grade. The equipment combines the advantages of the disc filters with those of the helico-centrifugal filtering effects.

In precise sequence the filtration system carries two simultaneous and independent phases. These phases are called, FILTRATION and BACKFLUSHING.



4.1 Filtration Phase

- During the filtration process, water is carried from the inlet manifold through the backflush valves, to the interior of all of the filters, which form the filtration system.
- Thanks to the filters helico-centrifugal effect, the number of backflushings are dramatically reduced, minimizing water consumption.
- This is achieved by the patent-pending design located on the base of the cartridge.

- Its angled blades create a helical effect on the incoming water, spinning particulates in suspension away from the filtering surface, thereby minimizing backflushing frequency.
- Once the water enters the filter, the only path for it to follow are the channels of the discs.
- Rain Bird grooved discs combine on-surface filtration and in-depth filtration.
- The particles are trapped by the channels in the discs.
- The outlet manifold is responsible for collecting the filtered water and carrying it to the exterior.



4.2 Backflushing Phase

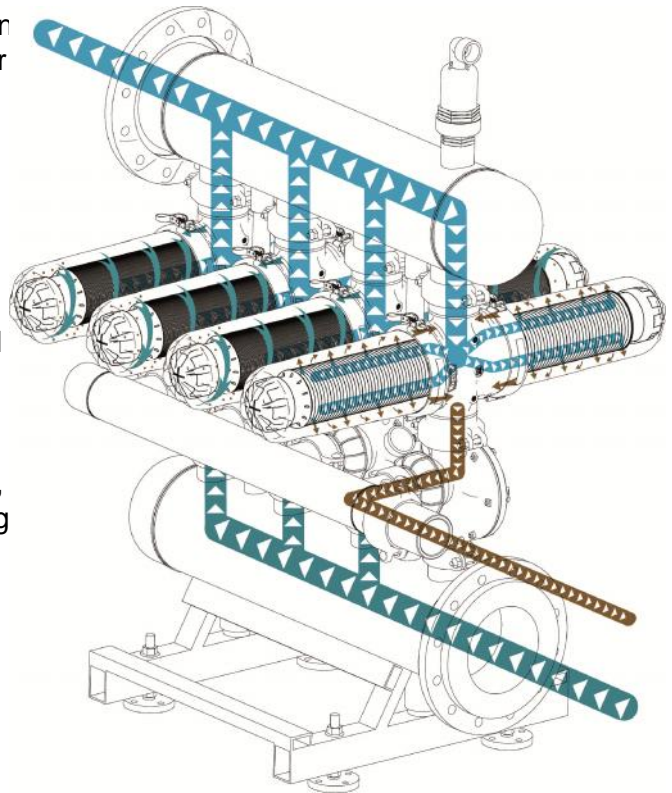
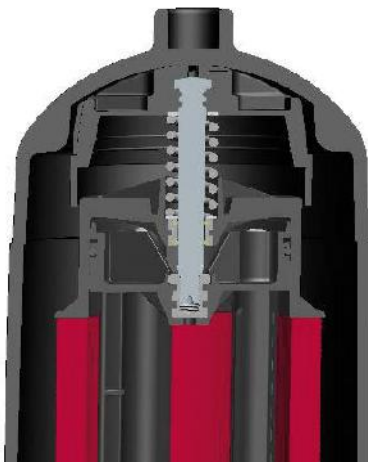
The start of the backflushing process takes place when the Control Unit activates the backflushing cycle under one of the following conditions: Pressure Differential, time (frequency) between backflushings, or manually on the keyboard.

The controller closes the contact, which supplies the Normally Closed solenoid which is responsible for the activation of the first station that will carry out the backflushing. The solenoid converts the electric signal to a hydraulic signal responsible for the feeding of the backflushing valve chamber.

Through the feeding of the three-way valve chambers, the inlet of water to the filter is closed, thereby allowing open flow between the interior of the filter and the drainage manifold, starting a backflush sequence.

The filtered water coming from the pressure manifold is introduced in the opposite direction in the filter due to the pressure differential generated on both sides of the filtering element.

All available hydraulic power is used to overcome the pressure exerted by the spring on the discs stack, generating its own decompression due to the piston displacement (raising).



BACKFLUSHING STAGE

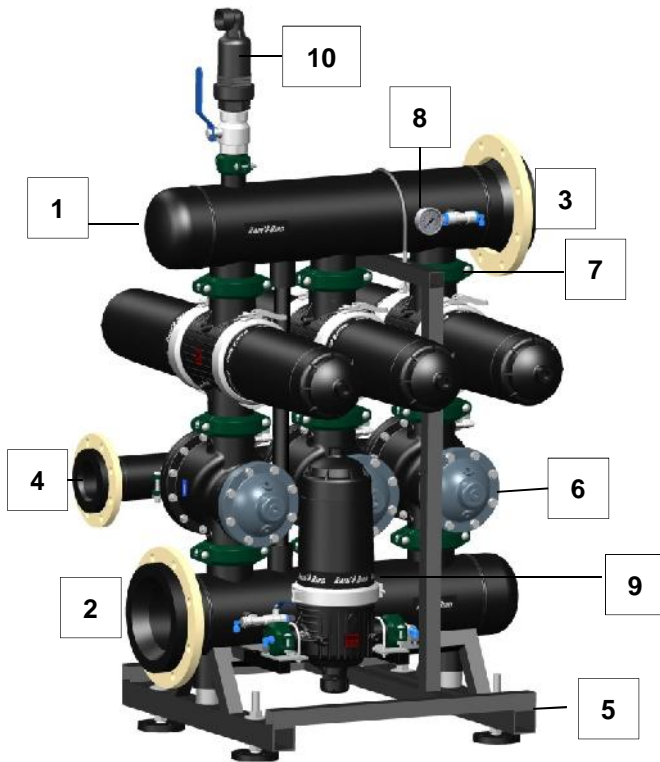
The release of the discs makes it possible for them to spin freely due to its tangential projection of the water coming from the feeder bars, which at the same time are used as structural support for the stack of discs.

The distribution of the holes in the bars project water under pressure, which tangentially flows into the discs generating rotation and vibration, which completes elimination of the retained solids through the backflushing valve. Solids are discharged to the outside by the drainage manifold.

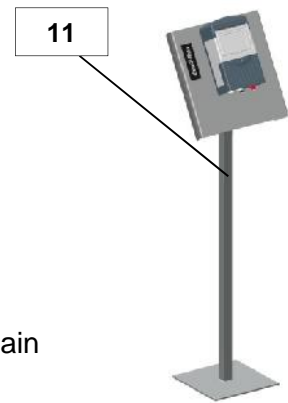
The end of the backflushing coincides with the closure of the drainage outlet and the opening of the inlet manifold on the last station that forms the filtration equipment. The filtration systems initial conditions are re-established and makes available all of the filters to carry out the filtration function.

5. PRODUCT IDENTIFICATION

5.1 Assembly Part Identification



COMPONENTS	
	DESCRIPTION
1	RAIN BIRD HDF SERIES DISC FILTER
2	INLET MANIFOLD – GROOVED CONNECTION
3	OUTLET MANIFOLD– GROOVED CONNECTION
4	DRAINAGE MANIFOLD
5	SUPPORTS
6	3 WAY HYDRAULIC VALVE 4”
7	VICTAULIC COUPLING 2”
8	PRESSURE GAUGE 0 – 10 bar / 145 psi
9	AUXILIARY FILTER 2” KIT
10	AIR RELEASE VALVE TRIPPLE EFFECT 2”
11	CONTROL UNIT



5.2 Product Labeling

The equipment is identified by two labels, one is placed on one of the main manifolds, the other is placed on the filters.

Manufacturer _____

Model _____

Max. Temperature _____

Year of Manufacturing _____

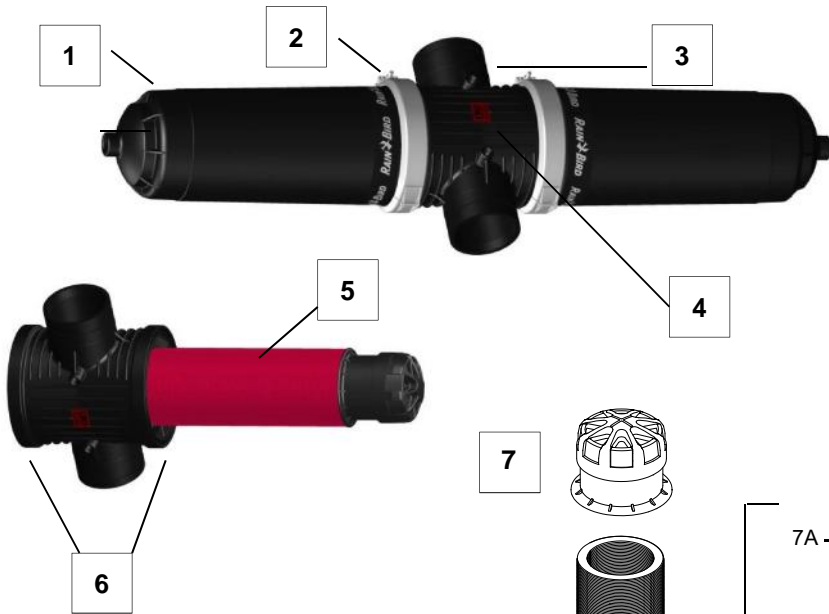


The modification or elimination of this label voids the warranty; and impedes the identification of the equipment.



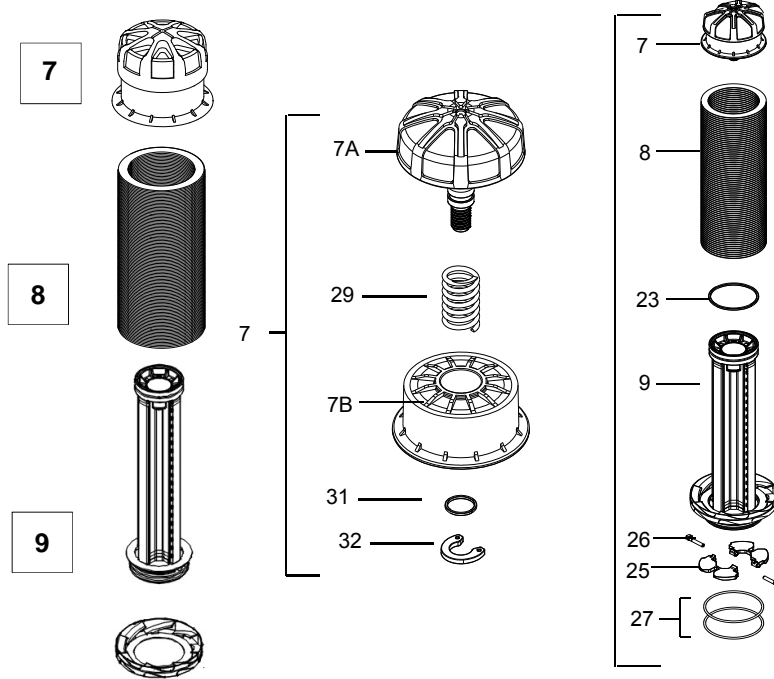
_____ Max. Pressure

_____ Serial number



COMPONENTS	
	DESCRIPTION
1	BODY CAP
2	CLAMP
3	BODY
4	MICRON RATING LABEL
5	AUTOMATIC CARTRIDGE
6	SEALING GASKET BODY


	DESCRIPTION
7	FRAME PISTON
8	DISCS
9	FILTERING ELEMENT FRAME



To request spare parts please indicate the serial number of the assembly

	DESCRIPTION	CHECK VALVES WITH ACCESORIES	SET OF PISTON GASKETS	SPRINGS	MAINTENANCE KIT	FILTERI ELEMENT O-RING FRAME	FRAME O-RING	PISTON GASKET
29	PISTON SPRING			1	1			
31	PISTON O-RING 13 x 2		2		2			
32	CLIP		1		1	1		
23	PISTON GASKET 92.6 x 100 x 4		1		1	1		10
25	CHECK VALVE	1			1			
26	STEM CHECK VALVE	1			1			
27	O-RINGS FRAME				2	2	10	

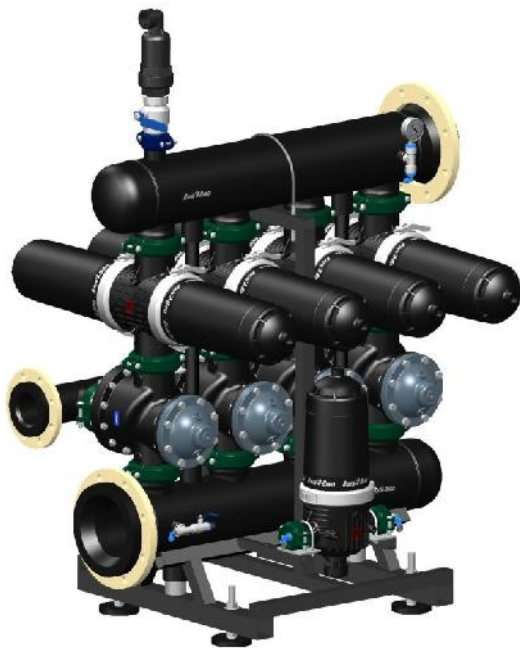
6. INSTALLATION INSTRUCTIONS

- Installation should be made by **QUALIFIED PERSONNEL**.
- The location for the installation of the equipment should be made on solid ground. 
- You should take into account the weight of the equipment when you choose to use slings.
- Make sure that the length of the lifting system is correct so that the filtration system is in a horizontal position when raised.
- Secure the equipment to the lifting system to avoid accidents.
- Follow all operation and safety instructions for transporting equipment .

6.1 Installation Steps

- 1- Transport the filtration Equipment with a lift truck or similar until its final emplacement.
- 2- Unpack the Equipment carefully and check that there is no damage.
- 3- Confirm all the specified parameters are met in accordance with those of the Equipment.

It is not necessary the fixing of the equipment to the ground. But if you want to fix it, you can do it with the appropriate lag screw according to the kind of ground. The lag screw should be placed in the holes of the level regulators.



Connection of the main manifolds, inlet, outlet and drainage.

The manifolds connections (inlet, outlet, drainage manifolds) are ANSI flange.

You should use the necessary and standard elements to connect the Equipment with the rest of the installation.

Connect the inlet, outlet and drainage manifolds with its corresponding connections.

6.3 Adjusting the Height of the Equipment

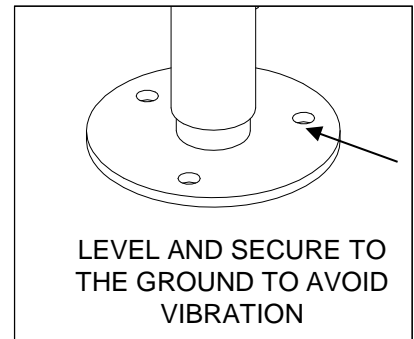
You can modify the height of the equipment with the adjustable supports. Prior to doing so it is important to be sure that the equipment is properly supported by a lifting system. Once this has been secured, unthread the screws of the supports and adjust the height with the help of the lifting system. The equipment must always be horizontal when positioning.

Verify that the equipment is supported by the lifting system before unthreading the M10 screws of the supports.



6.4 Securing the Equipment

Before securing the equipment to the ground, verify that the equipment is level. Secure the equipment to the ground using the appropriate type screws or bolts for the type of ground the equipment will be resting on. The screws should be placed in the 10 mm diameter manifold holes.



6.5 Connection of the main manifolds, inlet, outlet and drainage

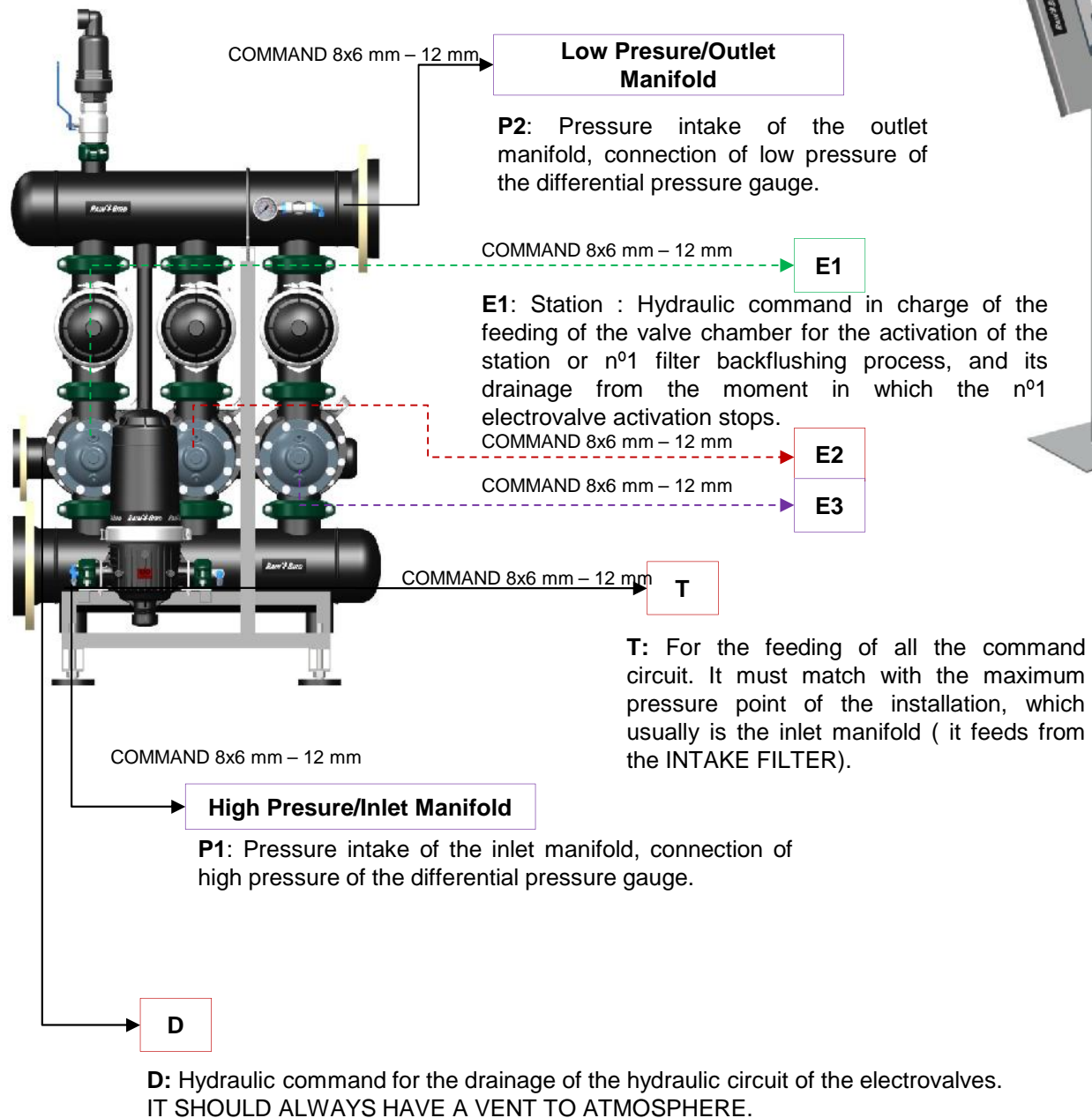
The main manifolds connections (inlet and outlet manifolds) are grooved. Use the supplied accessories (as required) to connect the equipment to the rest of the system.

The drainage manifold has a PVC grooved coupling from factory that glues to a 3" PVC pipe.

Connect the inlet, outlet and drainage manifolds with its corresponding connections.

7. CONTROL UNIT CONNECTION

The microtubes and unions are labelled according to the following nomenclature:

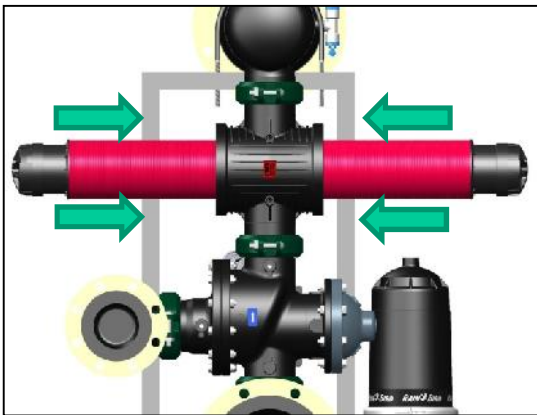


8. OPERATION INSTRUCTIONS

8.1 Before Starting-Up



- Before operating the equipment, use adequate personal protection (proper clothes, safety glasses, gloves and other elements of personal protection).
- Make sure that the flow rate, pressure, temperature and PH are permitted by the equipments specifications (indicated in the equipment technical data) before starting up. Do not operate outside of the recommended working conditions.
- Equipment Pressure: Make sure that the filter is depressurized before opening it.
- Make sure that all the filters are properly closed to avoid leaks. Do not forget to lock the safety clip on the clamp. This will prevent accidental opening
- Make sure that the auxiliary filter key is opened before starting-up the equipment
- We recommend the installation of an upstream and downstream valve to isolate the system during maintenance operations.



1. Place the correct number of discs on each filter.
2. Adjust it until the filter base is straight
3. Install the lid.
4. Close the clamp.
5. Check the adjustment of the cap of each filter.
6. The filter battery is ready to operate.

* : P1 and P2 are the pressure in the inlet and outlet manifold. Their difference is the head loss of the equipment.

8.2 Start-Up

- Connect the pump system to the water inlet
- Make sure that the Operation Conditions (pressure, temperature, flow rate and PH) are in accordance with the specifications.
- Monitor the equipment head loss.
- Follow the instructions of the equipment's Control Unit Manual.

9. MAINTENANCE

Maintenance of the Equipment. The maintenance intervals depend on the operating conditions, characteristics of water to be filtered, length of operation, number of backflushings, recuperation of the differential pressure after the backflushings. Rain Bird recommends maintenance be performed every three month for components which means the disassembly of the filtering element. *The actual frequency should be determined by the user* according to the particular characteristics of their installation.

- **Be sure the equipment is depressurized before exposing the interior of the equipment to the atmosphere.**
- **All maintenance should be performed by a qualified professional.**
- **The maintenance frequency should be determined by the user according to the particular conditions of their installation.**



Below are some general maintenance recommendations:

- Every time you start the equipment perform a visual inspection
- Do not allow particles to dry in the discs. Activate a backflush just before stopping the equipment, if it will not be used for an extended period of time.
- Watch the equipment head loss as well as its recovery after backflushes.

DAILY ACTION
1. Visual inspection of the equipment
2. Check for leakage in the equipment
3. Check the Operation Conditions (pressure, temperature, flow rate, PH).
4. Evaluation of the equipment head loss (P1* - P2*)

PERIODIC ACTION
1. Check the base o-ring
2. Check the filters cleaning state. If they are very dirty, clean the discs manually.
3. Manually activate a backflush to check operation of the backflushing phases to confirm all the stations are operating correctly.
4. Check gaskets.
5. Check the elements of the piston.
6. Check ¾" intake filter
7. Check ¼" intake filter.
8. Maintenance of grooved couplings.

9.1 Inspection of the Filters.

Pressure equipment:

- Be sure the filter is depressurized before opening it.
- If necessary, clean the discs (only) in an acid solution.
- If an acid solution is used to clean the discs, use adequate protection (clothes, glasses, gloves, face shield, etc.) Consult the Safety Sheet for the product used.
- Do not contact any part of the filter with the acid solution except for the discs.



- Do not mix discs from different filters.

- Installing the filter elements improperly can cause damage.

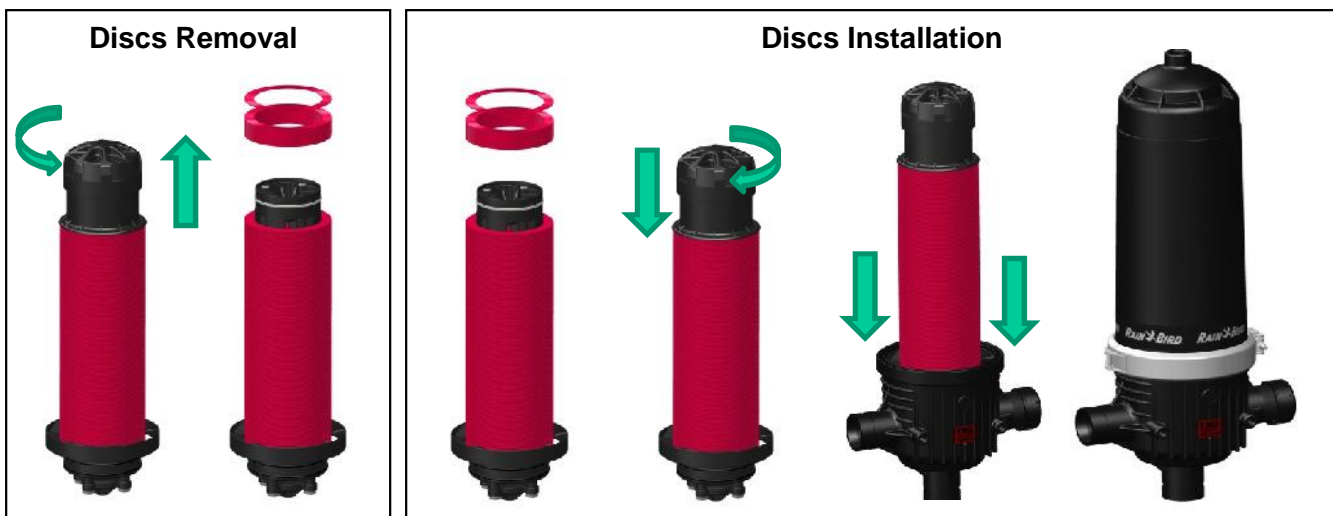


- Check the chemical compatibility between the lubricant used in the base of the filtering element and the materials of the filter.

9.2 Manually Cleaning the Discs

- 1.Open the clamp and remove the lid
- 2.Remove the filtering element carefully.
- 3.Turn the piston until it is released; remove the piston.
- 4.Remove the discs
- 5.To assemble the filter element proceed in reverse.
6. Replace all the discs
- 7.Thread the piston using soft pressure while it is turned to final adjustment.
- 8.Lubricate the base o-ring of the filter element, with neutral petroleum jelly, if possible.
- 9.Replace the filtering element pushing downward carefully.
- 10.Close the filter.

Clean the discs using clean water. or an acid solution if you cannot remove the dirt from the discs. In which case you should follow the protection measures according to the Safety Sheet regarding the acid to use.

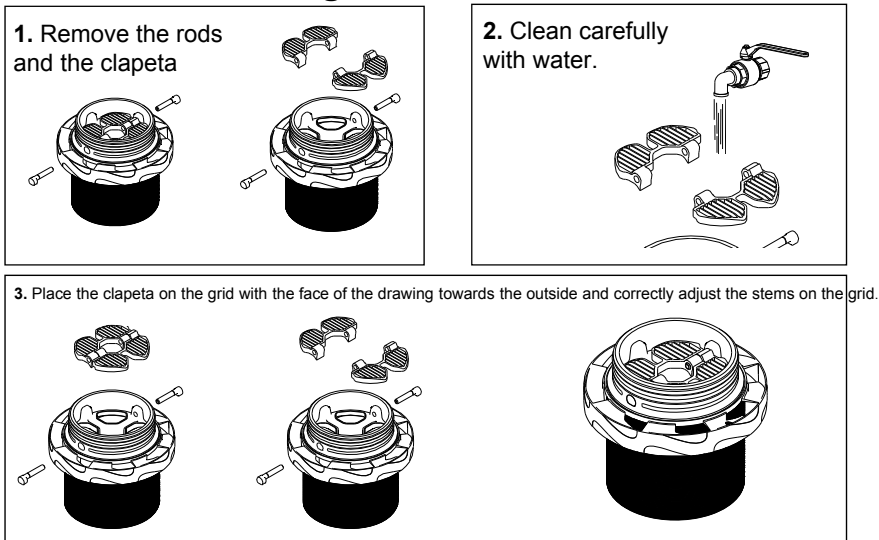


9.3 Checking the o-rings in the Filter Element:

1. Thread the piston of the filter element using a light pressure and turn to adjust.
2. Lubricate the area of the O-rings
3. Inert the filter element pushing carefully in the base of the filter.
4. Replace the lid and close the clamp



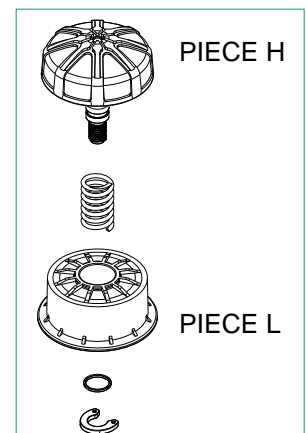
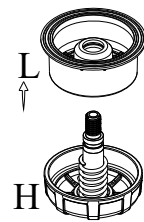
9.4 Removal of the moving element from the base of the filter element (Clapeta):



9.5 Inspecting the Piston Elements:

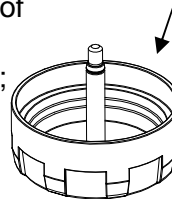
1. Remove the clip ring with a pair of straight nosed pliers by inserting the tips in the ring holes and opening. Separate L piece from H piece.
2. Check the o-ring housed in the piece L. Check the spring of A piece.
3. Apply lubricant in the threaded rod of piece H.
4. Install one washer in the spring and the other in the rod of piece H.
5. Install piece L on the axis of piece H. Fit the clip ring on the axis of piece L using the pliers until it seats in the groove of the rod.

Separate L piece from H piece.



Place the piston in the filter element, lubricate the base of the filter element with a product chemically compatible with the material of the filter and insert the filter element; pushing it carefully into the base of the filter.

Petroleum Jelly



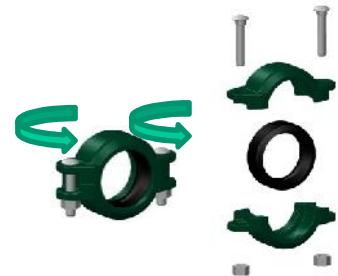
9.6 Checking Components

Make sure that the equipment is depressurized before carrying out any maintenance operation, in which the interior of the equipment is put into contact with the atmosphere.



A. Maintenance of Grooved Couplings

- I. Disassemble the grooved coupling with a wrench.
- II. Apply grease to the coupling joint.
- III. Assemble the coupling.



B. Checking the 3/4" Intake Filter

- I. Close the key of the filter
- II. Unthread the lid and remove the screen
- III. Clean the screen with water
- IV. Replace the screen and reassemble the filter



Make sure that the Intake Filter key is closed before opening the filter.

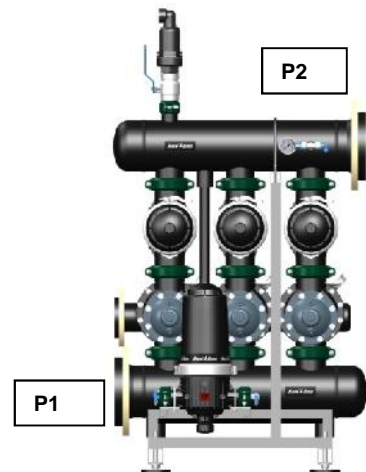


Applying too much Sealer or forcing the threads may damage them

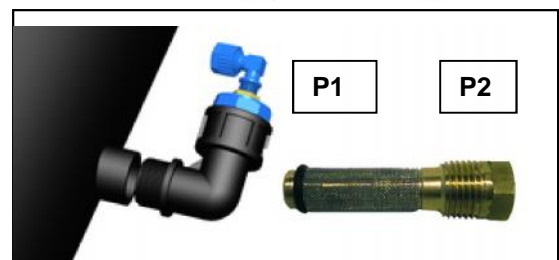


C. Checking the 1/4" Intake Filters

- I. Disconnect P1 and P2 micro tubes
- II. Remove the 1/4" intake filters on the inlet and outlet manifolds with a wrench
- III. Clean them
- IV. Replace the 1/4" filter on the manifolds with a wrench, applying sealer to the threads
- V. Connect the command micro tubes P1 & P2 to the 8 x 1/4" male elbows

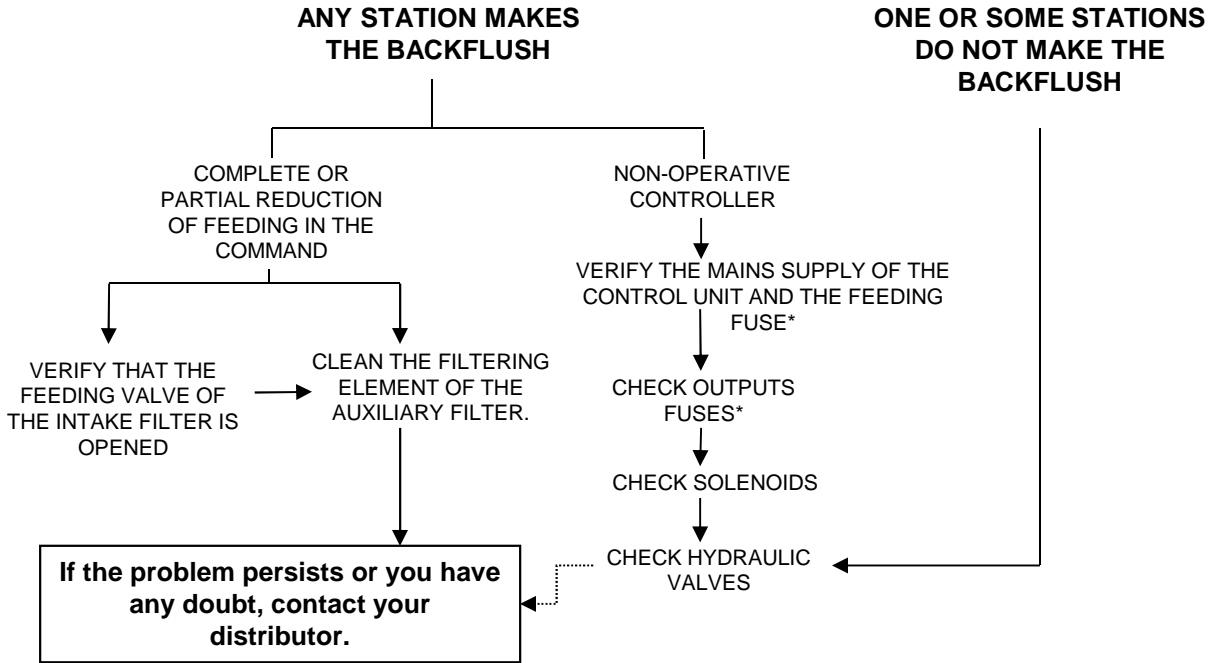


Applying too much Sealer or forcing the threads may damage them

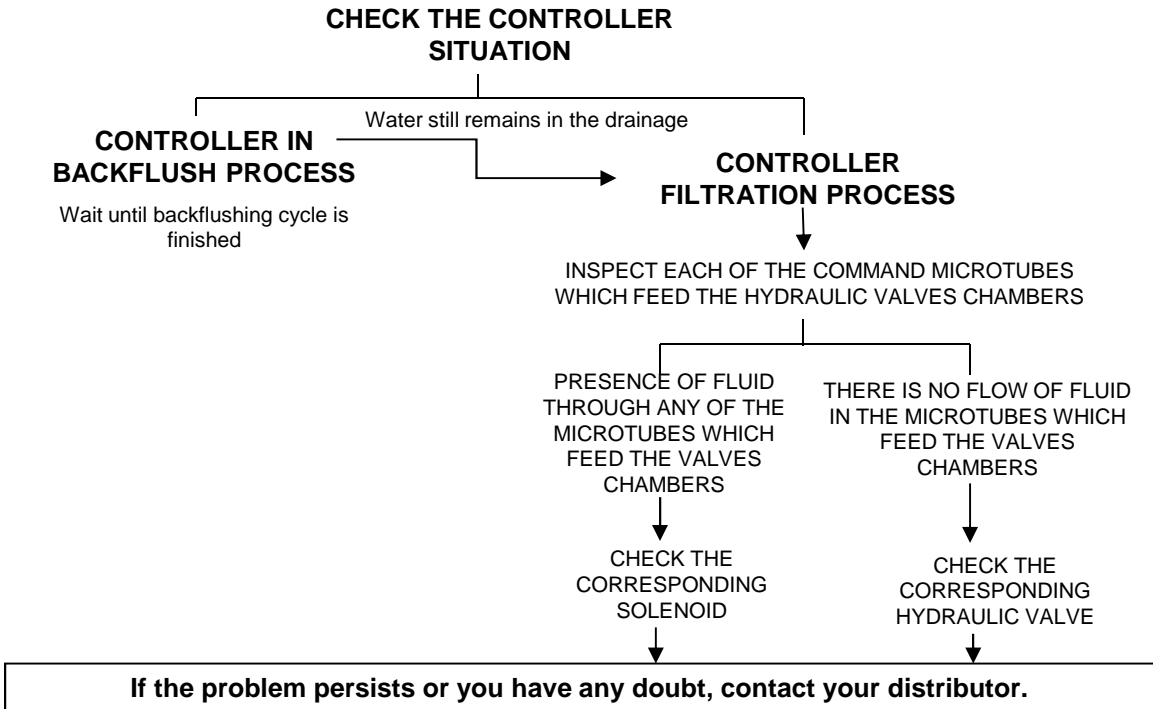


10. POSSIBLE PROBLEMS AND SOLUTIONS

BACKFLUSHES ARE NOT MADE



WATER IN THE DRAINAGE MANIFOLD

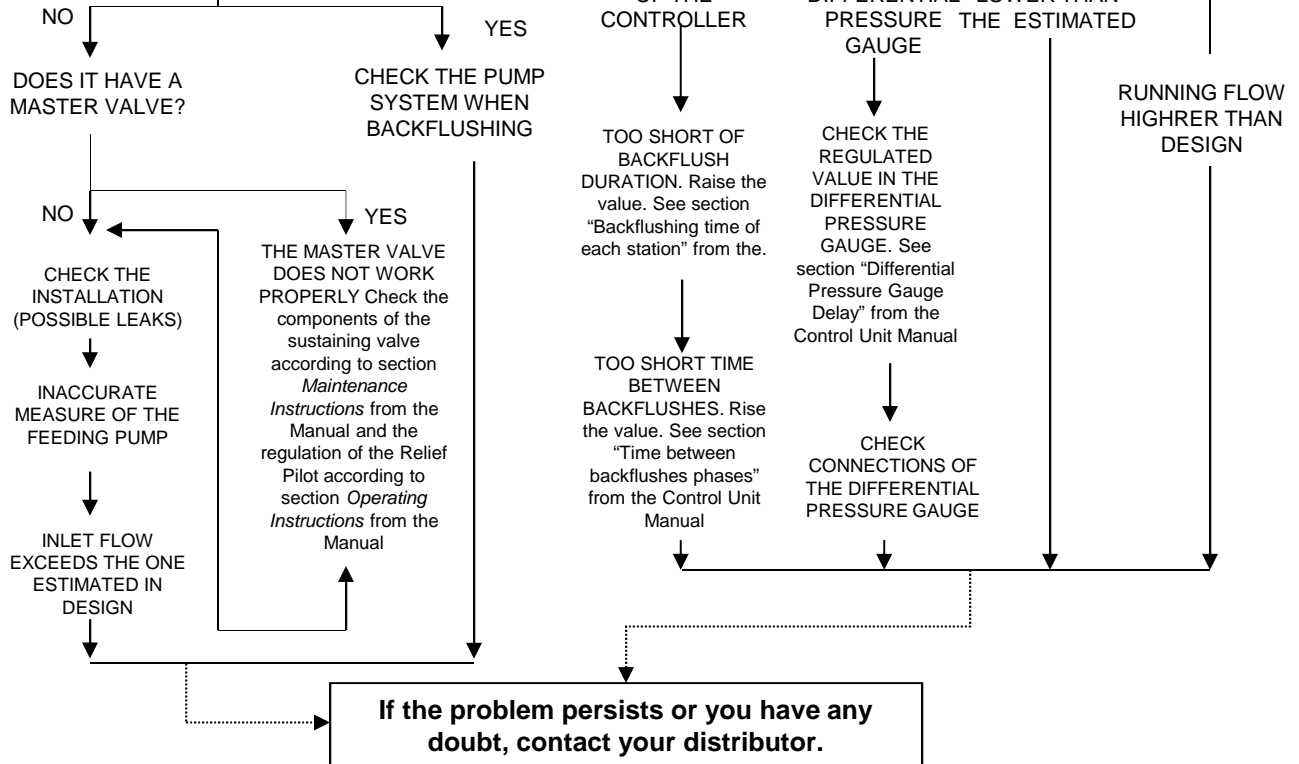


CONTINUOUS OR TOO FREQUENT BACKFLUSHES

**MANUALLY ACTIVATE A
BACKFLUSH AND
CHECK THE PRESSURE
IN THE OUTLET
MANIFOLD**

**PRESSURE BELOW THE MINIMUM
REQUIRED.** See section "Technical Data"
from the Filtration equipment Manual

**PRESSURE EQUAL TO OR ABOVE THE
MINIMUM REQUIRED.** See section "Technical Data"



11. WARRANTY

Rain Bird Filtration Products Professional Customer Satisfaction Policy Terms and Conditions

Rain Bird guarantees that its Filtration Products will be free of manufacturer defects for one year from date of authorized start-up but not beyond sixteen months from date of invoice.

Start-up or service by other than Rain Bird authorized personnel will void these terms and conditions.

Provided that all installation, start-up and operation responsibilities have been properly executed, Rain Bird will replace or repair, at Rain Bird's option, any part found to be defective under normal recommended use during this period. Repairs performed and parts used at Rain Bird's expense must be authorized by Rain Bird prior to repairs being performed. Upon request, Rain Bird shall provide advice on trouble-shooting a defect during the effective period of this Customer Satisfaction Policy. However, no service, replacement or repair under this Customer Satisfaction Policy will be rendered while the customer is in default of any payments due to Rain Bird.

Rain Bird will not accept responsibility for costs associated with the removal, replacement or repair of equipment in difficult-to-access locations. Difficult-to-access locations include (but are not limited to) locations where any of the following are required:

- 1) Cranes larger than 15 tons
- 2) Divers
- 3) Barges
- 4) Helicopters
- 5) Dredging
- 6) Roof removal or other such construction/reconstruction requirements
- 7) Any other unusual means or requirements

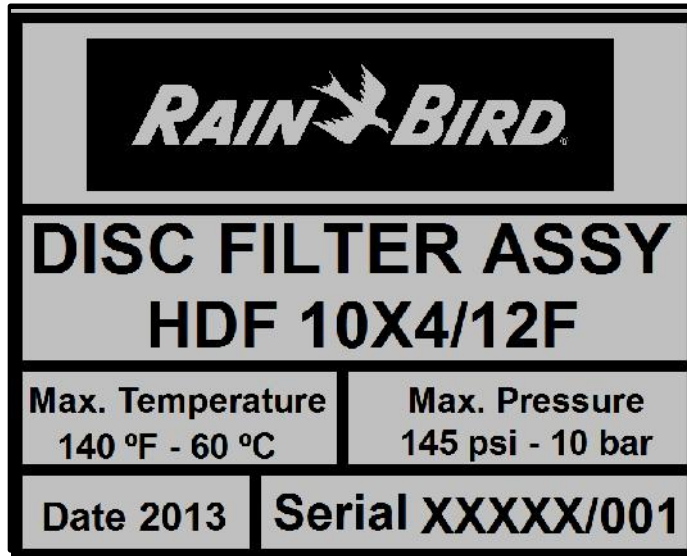
Such extraordinary cost shall be the responsibility of the customer, regardless of the reason requiring removal of the equipment from service.

The terms and conditions of this Customer Satisfaction Policy do not cover damage, loss or injury caused by or resulting from the following:

- 1) Misapplication, abuse, or failure to conduct routine maintenance (to include winterization / winter lay-up procedures).
- 2) Pumping of liquids other than fresh water as defined by the U.S. Environmental Protection Agency, unless the Filtration Products quoted by Rain Bird specifically lists these other liquids and their concentrations.
- 3) Use of pesticides (to include insecticides, fungicides and herbicides), free chlorine or other strong biocides.
- 4) Exposure to electrolysis, erosion or abrasion.
- 5) Use or presence of destructive gases or chemicals unless these materials and their concentrations are specified in the Rain Bird quotation.
- 6) Electrical supply voltages above or below those specified for correct Filtration Products operation.
- 7) Electrical phase loss or reversal.
- 8) Use of a power source other than that specified in the original quotation.
- 9) Non-WYE configured power supplies such as open delta, phase converters or other forms of unbalanced three phase power supplies (if used).
- 10) Improper electrical grounding or exposure to incoming power lacking circuit breaker or fused protection.
- 11) Using the control panel as a service disconnect.
- 12) Lightning, earthquake, flood, windstorm or other Acts of Nature.
- 13) Failure of Filter packing seal (unless the failure occurs on initial start-up).
- 14) Any damage or loss to plants, equipment or groundwater or injury to people caused by the failure of or improper use of an injection system or improper concentration of chemicals or plant nutrients introduced into the Filtration Products by an injection system.
- 15) Any failure of nutrient or chemical storage or spill containment equipment or facilities associated with the Filtration Products location.

The foregoing terms and conditions constitute Rain Bird's entire Customer Satisfaction Policy. Rain Bird does not offer any other or additional warranty, with respect to the pumping system or its components. Rain Bird makes no implied warranty, with respect to fitness for a particular purpose or merchantability of the pumping system or its components. In the case of any components or injection systems manufactured by others (as noted on the Filtration Products Quotation), there is no warranty provided by Rain Bird and these items are covered solely by and to the extent of the warranty, if any, offered by the manufacturer. Rain Bird shall not be liable to the customer or any other person or entity for any liability, loss or damage caused or alleged to be caused, directly or indirectly, by the Filter system or by any injection system. Rain Bird shall not be responsible for incidental, consequential, collateral or indirect damages or loss of profit or damages related to the customer's business operations, nor for those caused by Acts of Nature. In no case and under no circumstances shall Rain Bird's liability exceed the Rain Bird Corporation's net sale price of the Filter system.

Laws concerning customer warranties and disclaimers vary from state to state, and therefore some of the foregoing limitations may not apply to you.



Rain Bird Corporation
Tel. (520) 741-6100
Fax: (520) 741-6191
E-mail: [Filters@Rain Bird.com](mailto:Filters@RainBird.com)
[http:// www.RainBird.com](http://www.RainBird.com)