



## **AUTOMATIC SEPARATOR PURGE CONTROLLER**

The Rain Bird Automatic Purge Controller is designed to purge the separator's collection chamber either automatically or manually. The purge controller is designed for use with either the motorized ball valve or diaphragm valves that are supplied.

### **Auto/Manual Switch**

The position of this switch determines if the purge controller is in the auto or manual mode.

In the auto position, the purge controller will automatically purge the separator at a predetermined interval and for a predetermined amount of time as described under "Time Settings" below.

In the manual position, power is disconnected from the timer and manual operation of the purge valve is now possible by using the open and close switch. This switch is spring-loaded and must be held in position.

If a motorized ball valve is used, the switch must be held into the open or closed position until the valve completes its travel.

If a diaphragm valve is used, then the open position is used to energize the solenoid and open the valve. If the switch is released, then the solenoid will de-energize and the valve will close; ending the purge cycle.

### **Time Settings**

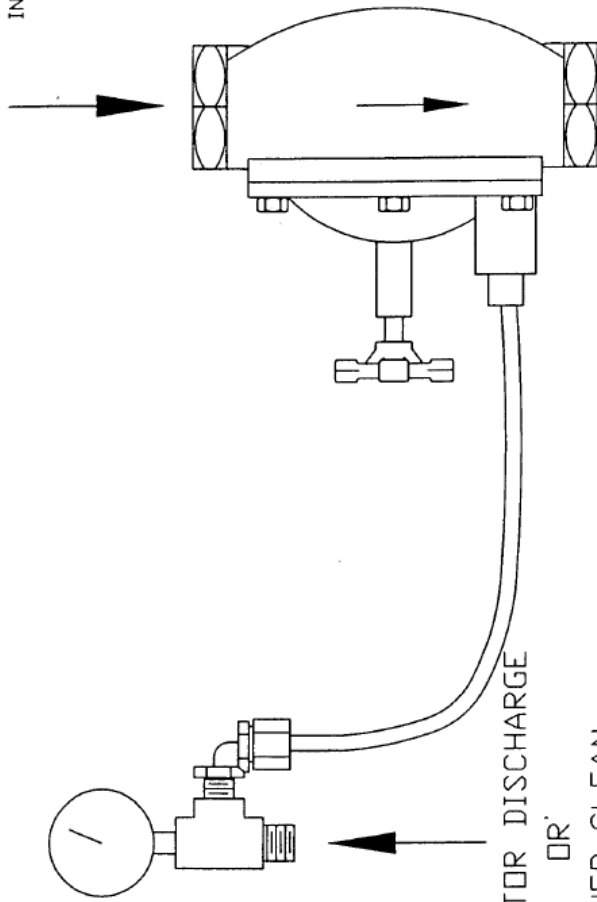
Off Time – This dial is used to set the purge cycle frequency.

On Time – This dial is used to set the length of the purge time.

# SEPARATOR AUTO PURGE DIAPHRAGM VALVE

- \* INSTALL WATER PICKUP TUBE FITTING ON DISCHARGE SIDE OF SEPARATOR OR ON OTHER CLEAN WATER SOURCE. ALTERNATE SOURCE WATER PRESSURE MUST BE EQUAL TO OR GREATER THAN LINE PRESSURE (200 PSI MAX.).
- \* INSTALL PURGE VALVE ON PURGE PORT OF SEPARATOR. FLOW ARROW ON VALVE MUST POINT AWAY FROM SEPARATOR.
- \* MAXIMUM PRESSURE 200 PSI.
- \* SEE REVERSE FOR ELECTRICAL INSTALLATION INSTRUCTIONS.

SEPARATOR PURGE



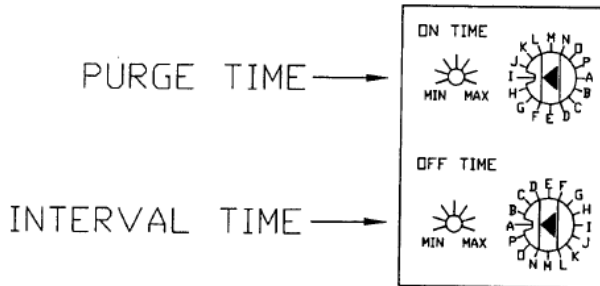
SEPARATOR DISCHARGE  
OR  
OTHER CLEAN  
WATER SOURCE

THIS DRAWING AND ALL INFORMATION CONTAINED HEREIN ARE THE PROPERTY OF GLOBE VALVE COMPANY. IT IS TO BE USED ONLY IN CONNECTION WITH THE PRODUCT TO WHICH IT APPLIES. IT IS NOT TO BE REPRODUCED, COPIED, OR TRANSMITTED IN ANY FORM OR BY ANY MEANS, ELECTRONIC OR MECHANICAL, INCLUDING PHOTOCOPYING, RECORDING, OR BY ANY INFORMATION STORAGE AND RETRIEVAL SYSTEM, WITHOUT THE WRITTEN PERMISSION OF GLOBE VALVE COMPANY. COPYRIGHT 2004 GLOBE VALVE COMPANY.

APPROVALS DATE	SIZE	DRIVING SID	REV
DESIGNED BY	D	GLOBEVAL	-
CHECKED BY			
DATE	REV	DATE	REV

GLOBE VALVE

# SEPARATOR AUTOMATIC PURGE SYSTEM 120 VOLT 60 HZ INPUT



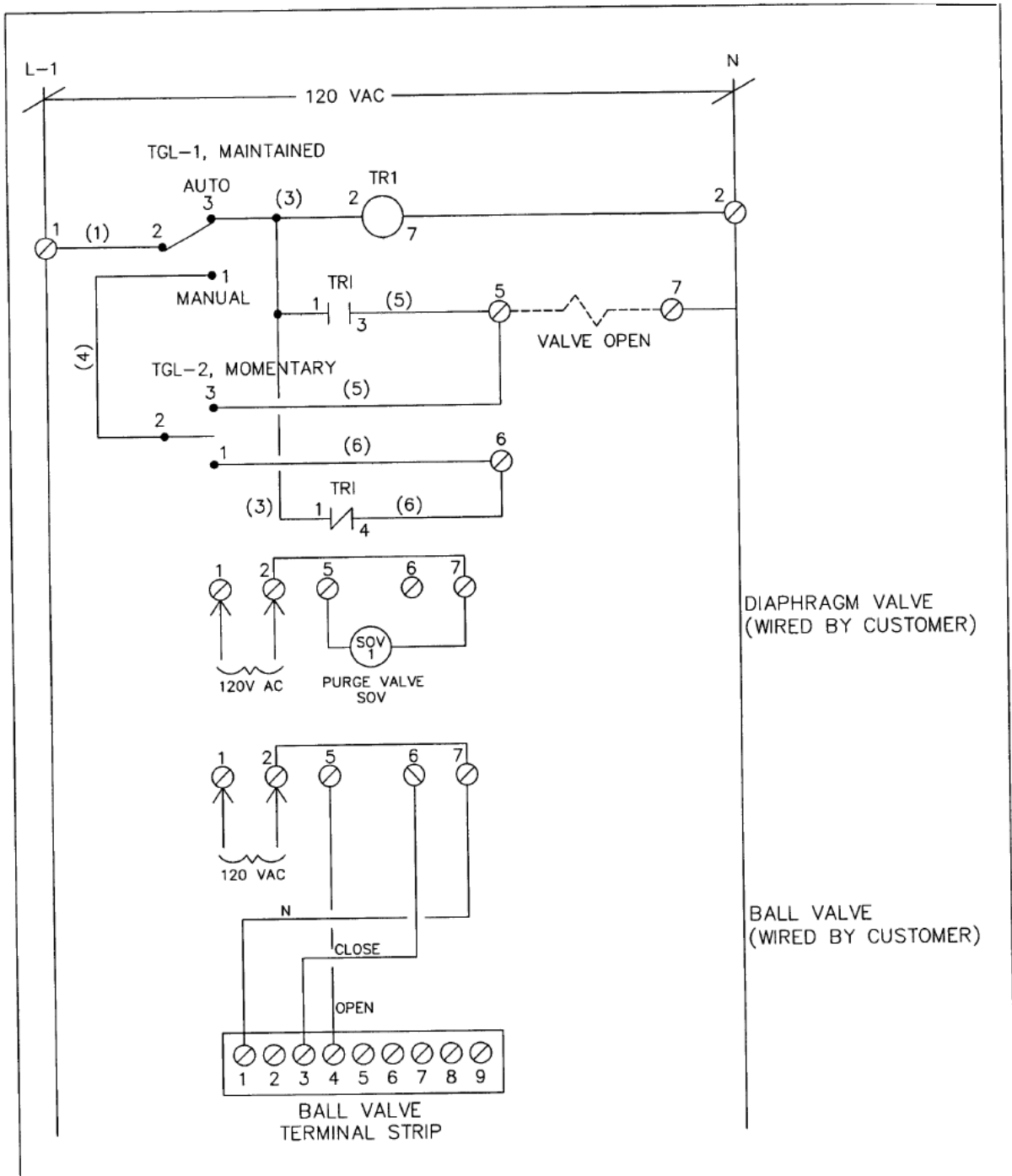
**FIG. 1 - RELAY FACE**

DIAL SETTING	TIMING RANGE
A	0.6 - 2.5 SEC.
B	1.5 - 5 SEC.
C	2.5 - 10.5 SEC.
D	5 - 21 SEC.
E	10 - 42 SEC.
F	0.4 - 1.4 MIN.
G	0.7 - 2.8 MIN.
H	1.5 - 5.5 MIN.
I	3 - 11 MIN.
J	5.5 - 22.5 MIN.
K	11 - 45 MIN.
L	0.4 - 1.5 HR.
M	0.8 - 3 HR.
N	1.5 - 6 HR.
O	3 - 12 HR.
P	6 - 24 HR.

**NOTES:**  
CONNECT PURGE VALVE  
AS SHOWN ON  
WIRING DIAGRAM

**FIG. 2 - KNOB SETTINGS**

<small>THIS DRAWING, INCLUDING THE INFORMATION IT CONTAINS, IS CONFIDENTIAL, PROPRIETARY, AND IS THE PROPERTY OF YARNEY WATER MANAGEMENT, INC. IT IS SUBMITTED ONLY IN CONNECTION WITH THE TRANSACTION TO WHICH IT PERTAINS AND MUST NOT BE USED IN ANY OTHER MANNER DETRIMENTAL TO THE INTERESTS OF YARNEY WATER MANAGEMENT. THE DRAWING IS NOT TO BE COPIED AND MUST BE RETURNED UPON REQUEST.</small>				APPROVALS DATE DRAWN BY JHY 2/12/92		<b>CONTROL PANEL WIRING</b>	
				CHECKED BY APPROVED BY			
A UPDATED NOTES. DTC 11-06 APP				INDUSTRIAL SCALE MADE IN		SCALE - ELECTRICAL PURGE CONTROLLERS SHEET 1 OF 1	
SYM REVISIONS				BY DATE APP			



DIAPHRAGM VALVE  
(WIRED BY CUSTOMER)

BALL VALVE  
(WIRED BY CUSTOMER)

THIS DRAWING, INCLUDING THE INFORMATION IT CONTAINS, IS CONFIDENTIAL, PROPRIETARY AND IS THE PROPERTY OF YARNEY WATER MANAGEMENT, INC. IT IS SUBMITTED ONLY IN CONNECTION WITH THE TRANSACTION TO WHICH IT PERTAINS AND MUST NOT BE USED IN ANY OTHER MANNER DETRIMENTAL TO THE INTERESTS OF YARNEY WATER MANAGEMENT. THE DRAWING IS NOT TO BE COPIED AND MUST BE RETURNED UPON REQUEST. COPYRIGHT YARNEY WATER MANAGEMENT SYSTEMS, 1994

APPROVALS			DATE
D	WIRING NUMBERING WAS INCORRECT FIXED	DTD	10-08 APP
C	UPDATED WIRING NUMBERS	DTC	11-05 APP
B	REMOVED EXTRA SOV (6)	DTC	3-05 APP
A	WIRING NUMBER CHANGES	KAT	3/11/97
SYM	REVISIONS	BY	DATE APP

CONTROL, PANEL WIRING			
SIZE	DWG NO.	REV.	
-	BALL-DIAPHRAGM	D	
SCALE	ENG. DR.	ELECTRICAL/PURGE CONTROLLER	SHEET 1 OF 1