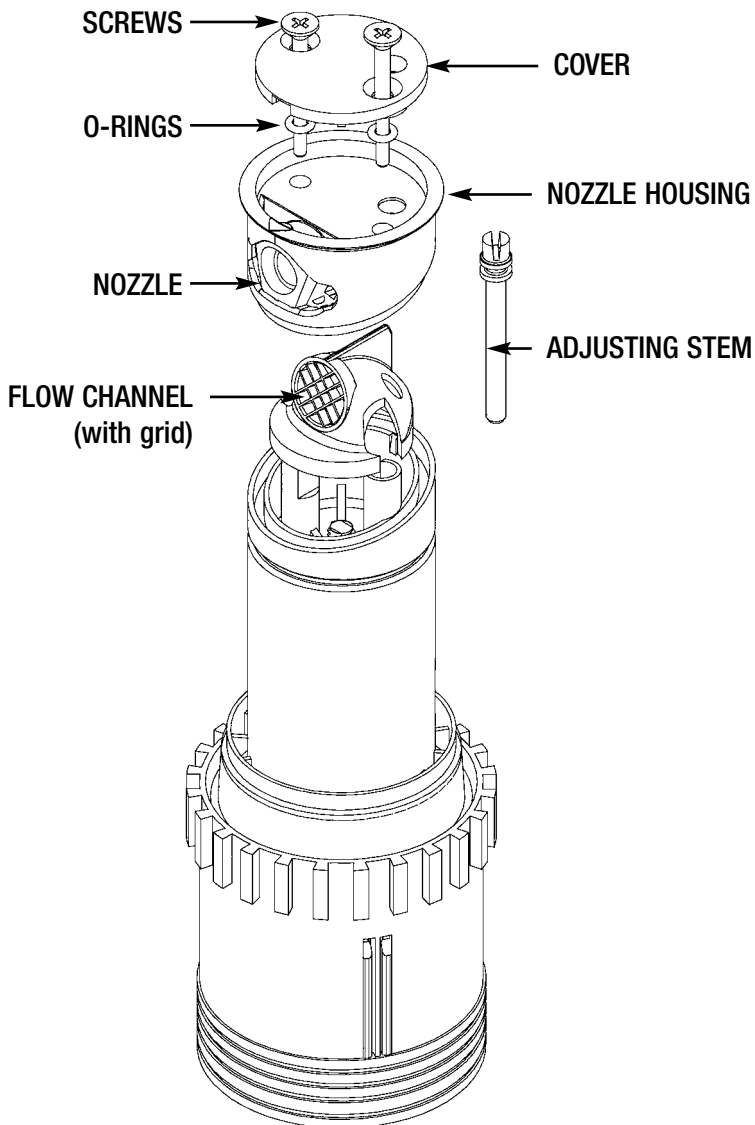




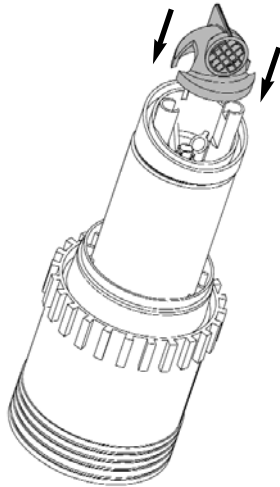
Wind Tolerant Nozzle Installation Guide



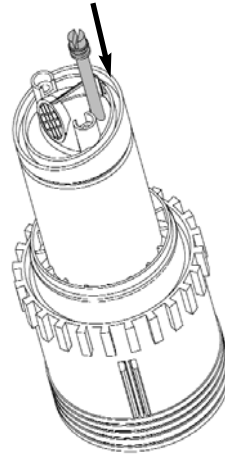
1 Install Flow Channel Into Nozzle Base.

Align the screw bosses with the notches in the flow channel.

Check orientation per picture below.



2 Install Adjusting Stem Into Nozzle Base Through the Hole in Flow Channel.



3 Install Nozzle Housing and Wind Tolerant Nozzle Onto Base.

Attach cover and screws.

NEW O-rings to seal the screw holes to the housing are included in kit.

