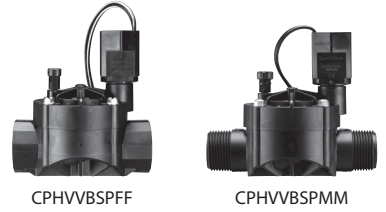


INSTALLATION INSTRUCTIONS HIGH VALUE IN-LINE VALVE



CPHVVBSPFF 26 x 34 mm

TECHNICAL SPECIFICATIONS

Flow 0.05–6.82 m³/h (0.8–113 l/min)
Pressure 1.0–10.3 bar (15–150 psi)
Electrical 24 VAC (50/60 Hz)

BEFORE INSTALLING VALVE

- Make sure you have sufficient water supply, pressure, and flow.
- Flush system until water runs clear.
- For best performance, install a pressure regulator if water pressure exceeds 10.3 bar (150 psi).
- If water source has sediment, install a 100 mesh or finer filter.
- Do not use with water exceeding 43.3° C (125° F). Refer to local building codes for other plumbing and electrical requirements.

INSTALLATION STEPS (Outdoor Use Only)

Connect Pipe and Adapters to Valve

TIP: Using pipe unions (B) on both the inlet and outlet side of the valve as shown will greatly simplify installation and allow retightening to correct for leaks. Unions will also permit connections to be preassembled on a benchtop and enable easier valve maintenance/replacement in the future.

1. Apply PTFE thread-seal tape to all male threads (A and C). DO NOT USE pipe sealant paste which will damage your system. Assemble in the order shown and tighten.
2. Tighten the union (B) collars and test fit the entire assembly in the valve box.

CAUTION

Make sure the valve arrows face correctly in direction of flow.

3. When satisfied with fit of all components, clean the ends to be glued with primer and apply solvent glue.

Connect Valve Wires

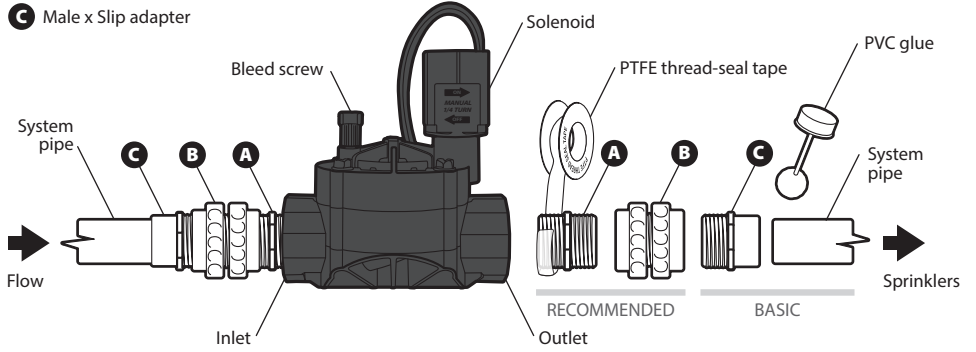
TIP: Use watertight connectors (gel caps) and multi-strand direct burial wire only.

4. Connect the common wire from the controller (typically white) to one of the two wires from valve solenoid. It does not matter which wire you use.
5. Attach the valve's remaining wire lead to the strand color for that zone.

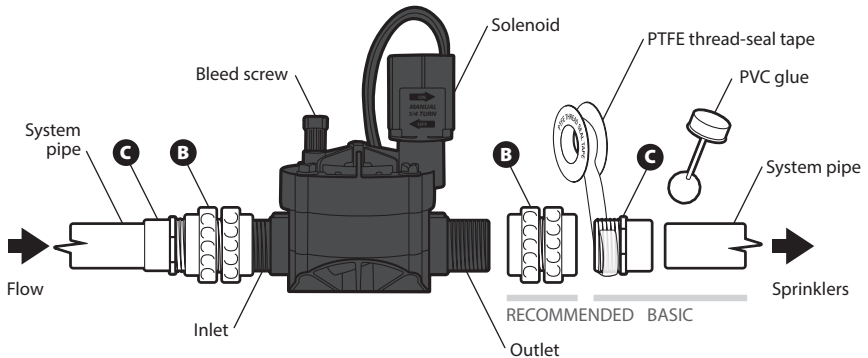
Operate Valve Manually

6. To flush the valve, turn on water and open bleed screw for one full minute (this will flush smaller debris).
7. Tighten bleed screw and test system. If valve does not close fully, check solenoid and bleed screw for leaks.
8. If valve still does not close fully, remove bonnet, flush and reinstall.

- A** Male x Male adapter
- B** Female threaded union
- C** Male x Slip adapter



CPHVVBSPMM 25 mm

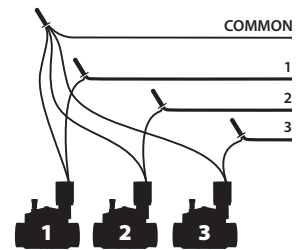


TROUBLESHOOTING

Problem	Leaks at the valve
Solution	Check pipe fittings, solenoid, bleed screw, etc. Retighten or replace as required.
Problem	Leaks at sprinkler heads (valve doesn't close)
Solution	<i>Possible cause 1:</i> Debris. Open the bleed screw. Flush one minute. Open the solenoid. Flush five minutes. <i>Possible cause 2:</i> External leaks at the valve. See above.
Problem	Sprinklers do not turn on (valve doesn't open)
Solution	<i>Possible cause 1:</i> Damaged or disconnected wire. Inspect and repair as required. <i>Possible cause 2:</i> Damaged solenoid. Replace solenoid. Kit # SRKCP/CPF. <i>Possible cause 3:</i> Damaged diaphragm. Remove bonnet (top) and replace diaphragm. Kit # DRK-JTV.

NOTE: During winter shutdown, drain the system to protect HV valves from freezing.

WIRING



Made in Mexico

RAIN BIRD CORPORATION
6991 East Southpoint Road, Tucson, AZ 85756, USA

UK Authorised Representative
Comply Express Ltd., Unit C2, Coalport House, Stafford Park 1, Telford TF3 3BD, UK

Imported in EU by RAIN BIRD EUROPE
Bât A, Parc Clamar, 240 rue René Descartes - BP 40072 - 13792 Aix-en-Provence, CEDEX 3, France
EUconsumerhelp@rainbird.eu

www.rainbird.com
 © Registered trademark of Rain Bird Corporation
 © 2024 Rain Bird Corporation
 Rev. 05/24



WASTE ELECTRICAL AND ELECTRONIC EQUIPMENT (WEEE)
This symbol means that end of life electrical and electronic equipment

(WEEE) should not be mixed with general household waste. For proper treatment, recovery and recycling, please take this product to designated collection points. Rain Bird has met its national obligations to the EU WEEE Directive by registering in those countries to which Rain Bird is an importer. Rain Bird has also elected to join WEEE Compliance Schemes in some countries to help manage customer returns at end of life.