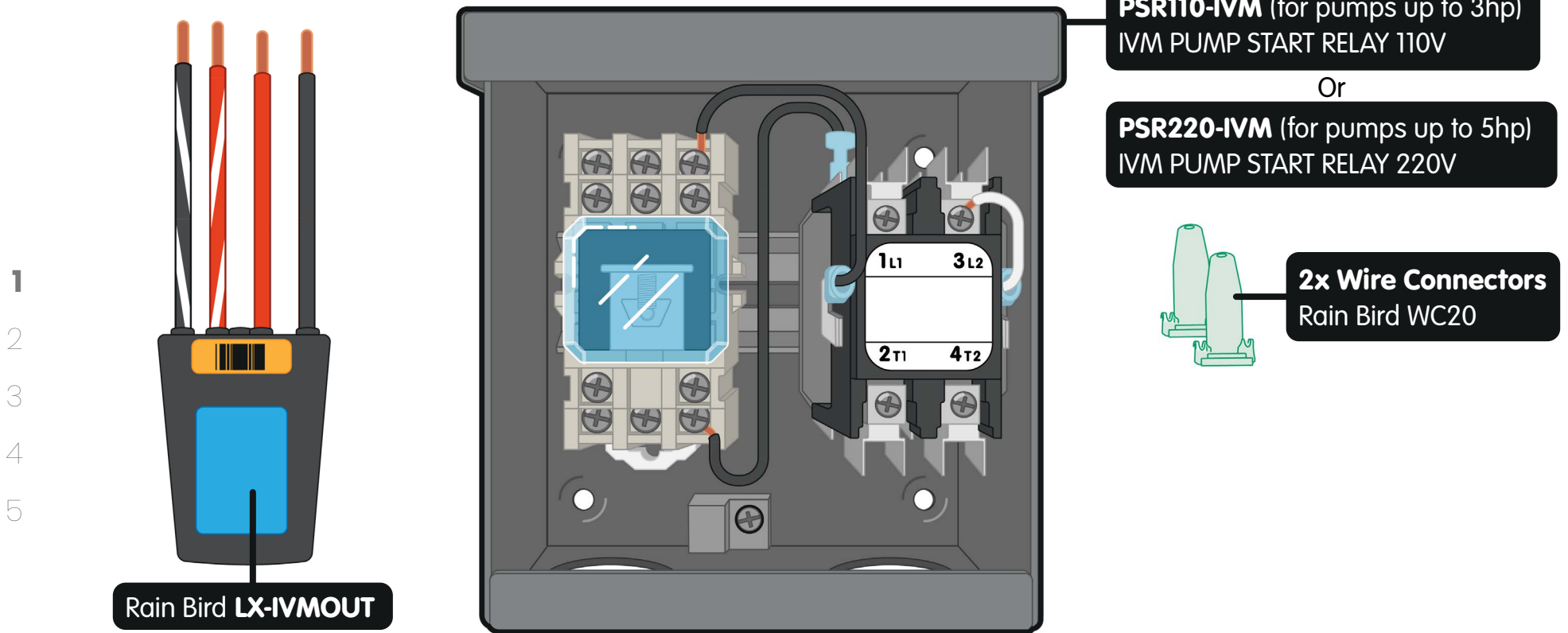


# RAIN BIRD LX-IVM COMPATIBLE PUMP START RELAY

Rain Bird PSR110/220-IVM models are specifically designed to work with the Rain Bird LX-IVM Controller through the use of a 24 volt DC latching relay. This provides "pilot duty" operation for all types of electrically driven pump equipment.

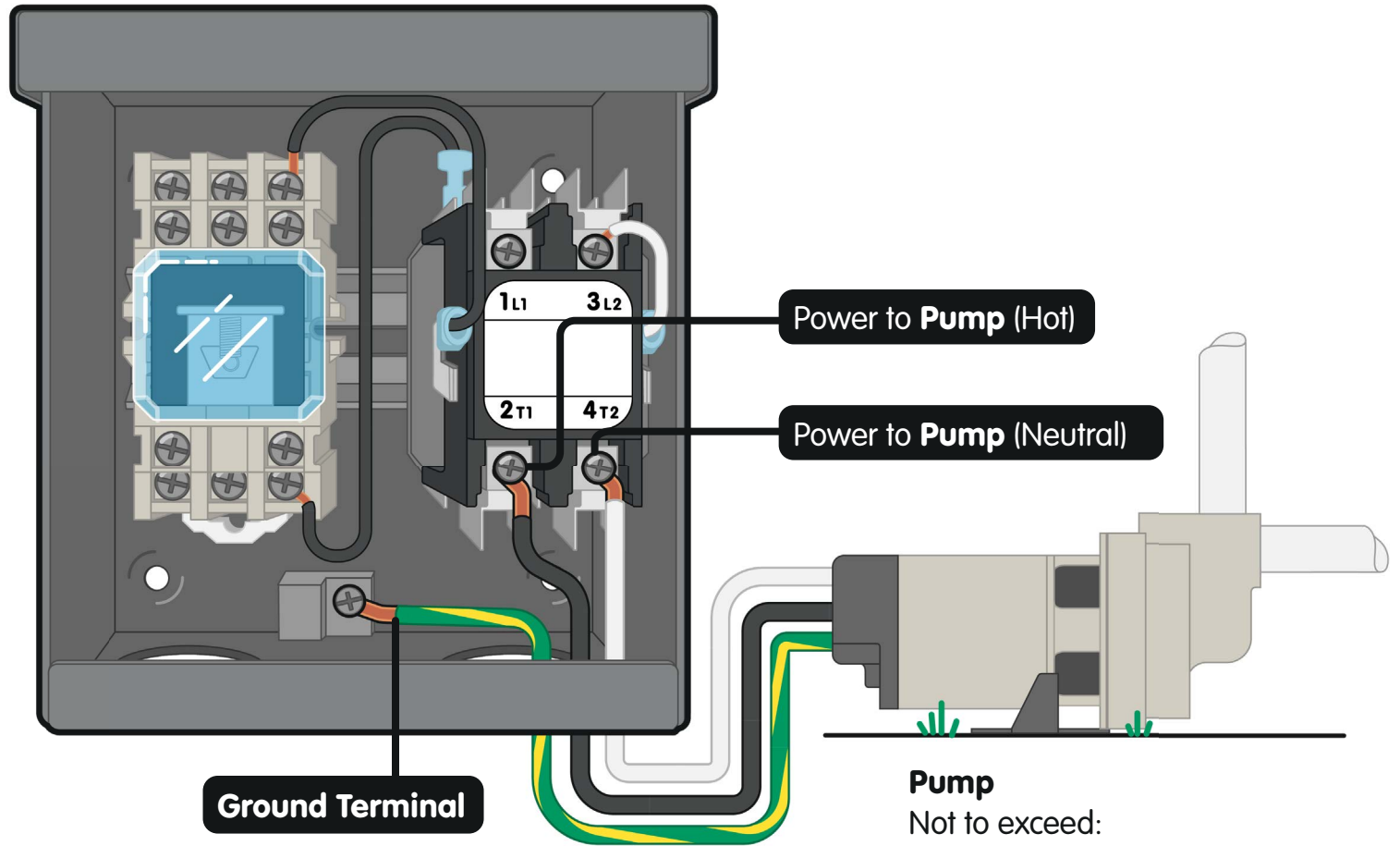


## Required Components

1x	PSR110-IVM (for Pumps up to 3hp)	IVM PUMP START RELAY 110V
or		
1x	PSR220-IVM (for Pumps up to 5hp)	IVM PUMP START RELAY 220V
1x	IVM-OUT	Rain Bird IVMOUT
2x	Wire Connectors	Rain Bird WC20

# Connect the PSR to the pump

- 1
- 2
- 3
- 4
- 5

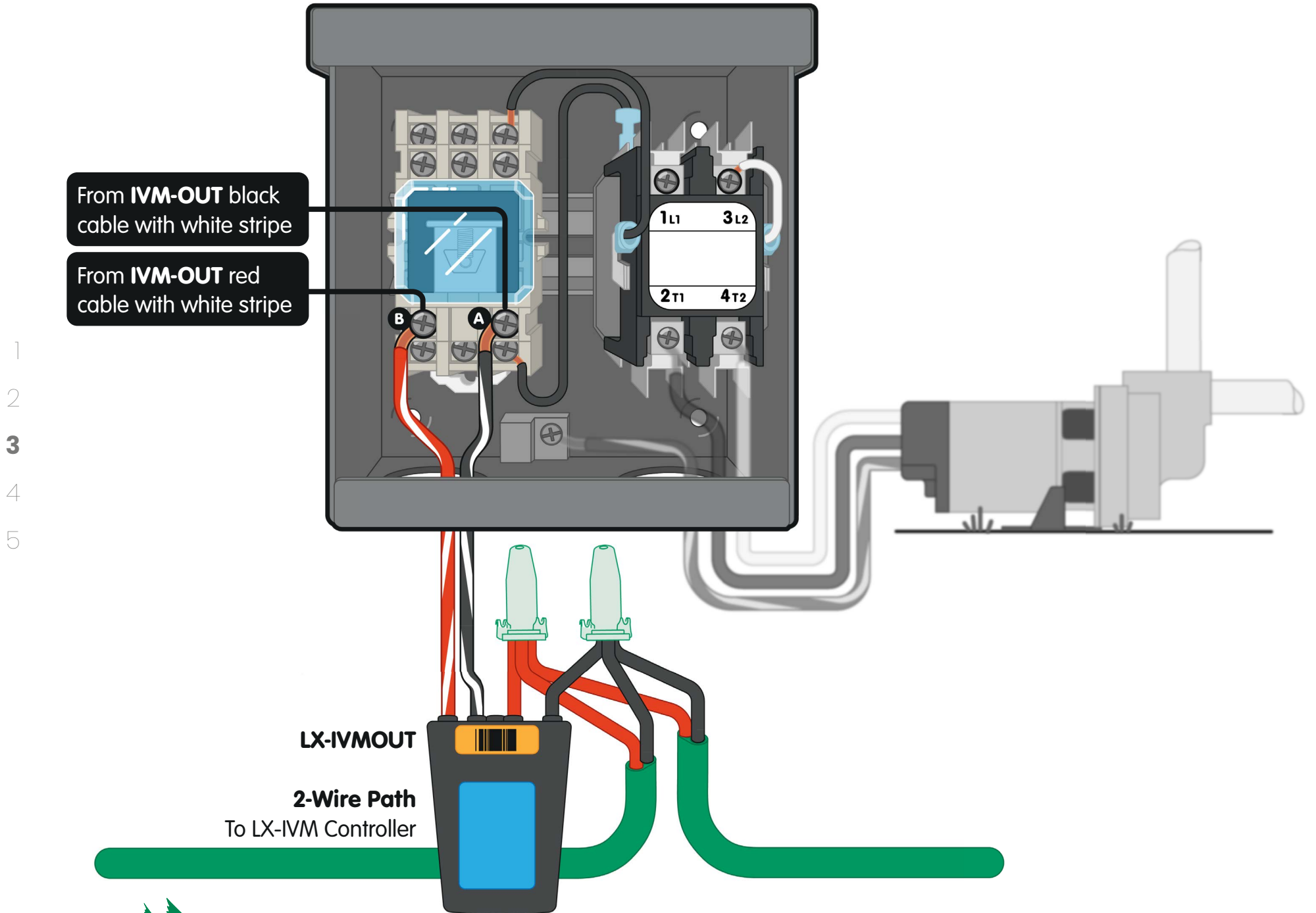


**Pump**  
Not to exceed:  
3hp (110v)  
5hp (220v)

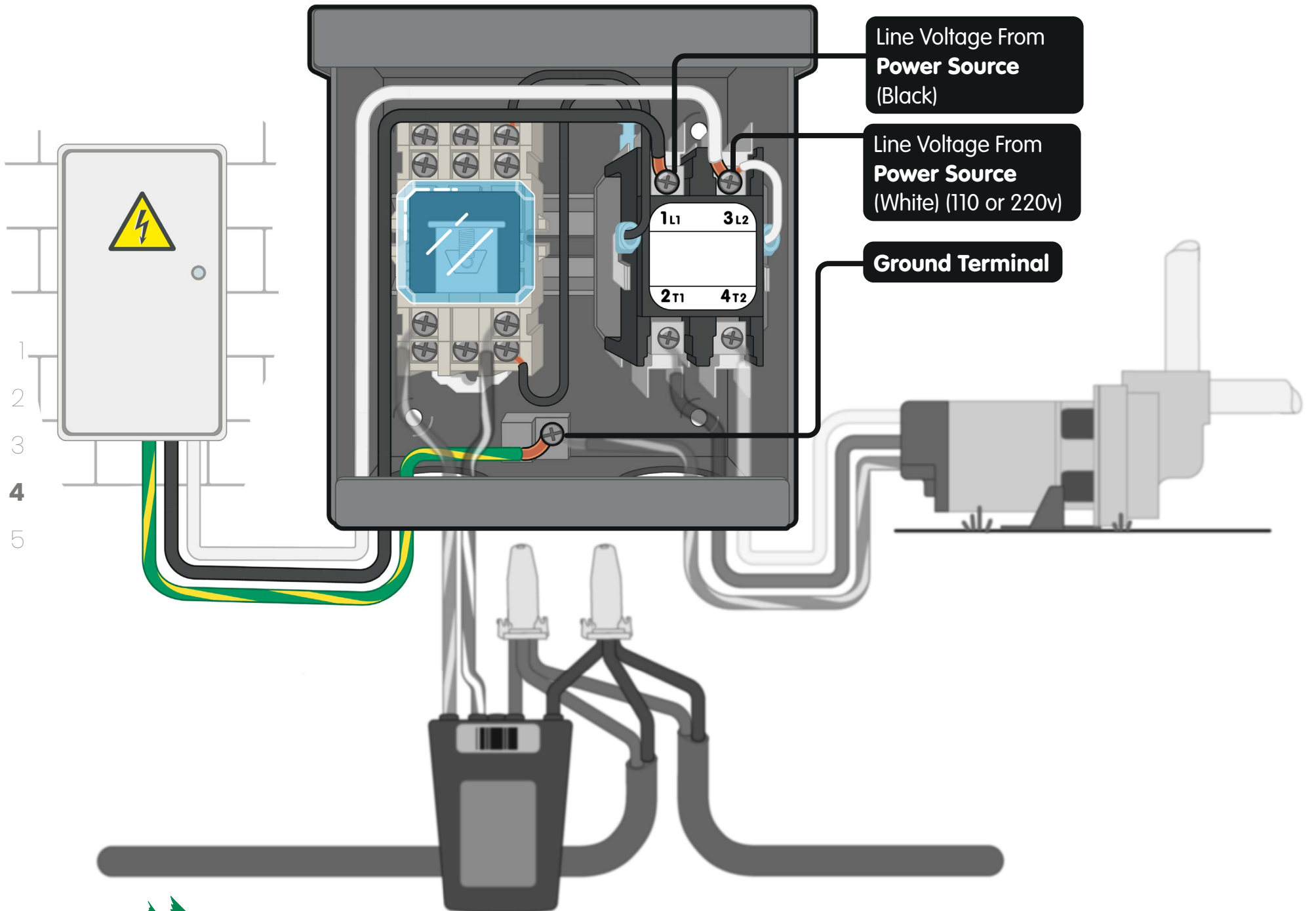


**DO NOT ATTEMPT TO REWIRE OR ALTER THE FACTORY WIRING IN THE PSR OR WARRANTY WILL BE VOIDED.**

# Connect the relay socket to the 2-wire path



# Connect the relay socket to the power source



# Check the wiring is correct

