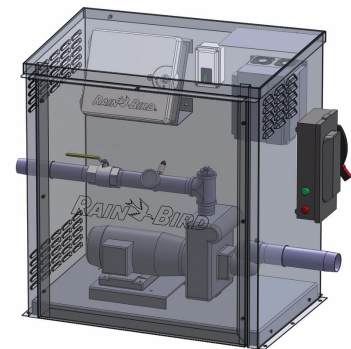


| | | Flow Rate (GPM) | | | | | | | | | | | | | | | | | | | | | | | | | | | | | | | | |
|------|-----|-----------------|----|----|----|----|----|----|----|----|----|----|----|----|----|-----|-----|-----|-----|-----|-----|-----|-----|-----|-----|-----|-----|-----|-----|-----|-----|-----|------|-----|
| Feet | PSI | 30 | 35 | 40 | 45 | 50 | 55 | 60 | 65 | 70 | 75 | 80 | 85 | 90 | 95 | 100 | 105 | 110 | 115 | 120 | 125 | 130 | 135 | 140 | 150 | 160 | 170 | 180 | 190 | 200 | 210 | PSI | Feet | |
| 270 | 110 | | | | | | | | | | | | | | | | | | | | | | | | | | | | | | | | 110 | 270 |
| 259 | 105 | | | | | | | | | | | | | | | | | | | | | | | | | | | | | | | | 105 | 259 |
| 247 | 100 | | | | | | | | | | | | | | | | | | | | | | | | | | | | | | | | 100 | 247 |
| 236 | 95 | | | | | | | | | | | | | | | | | | | | | | | | | | | | | | | | 95 | 236 |
| 224 | 90 | | | | | | | | | | | | | | | | | | | | | | | | | | | | | | | | 90 | 224 |
| 213 | 85 | | | | | | | | | | | | | | | | | | | | | | | | | | | | | | | | 85 | 213 |
| 201 | 80 | | | | | | | | | | | | | | | | | | | | | | | | | | | | | | | | 80 | 201 |
| 189 | 75 | | | | | | | | | | | | | | | | | | | | | | | | | | | | | | | | 75 | 189 |
| 178 | 70 | | | | | | | | | | | | | | | | | | | | | | | | | | | | | | | | 70 | 178 |
| 166 | 65 | | | | | | | | | | | | | | | | | | | | | | | | | | | | | | | | 65 | 166 |
| 155 | 60 | | | | | | | | | | | | | | | | | | | | | | | | | | | | | | | | 60 | 155 |
| 143 | 55 | | | | | | | | | | | | | | | | | | | | | | | | | | | | | | | | 55 | 143 |
| 132 | 50 | | | | | | | | | | | | | | | | | | | | | | | | | | | | | | | | 50 | 132 |
| 120 | 45 | | | | | | | | | | | | | | | | | | | | | | | | | | | | | | | | 45 | 120 |
| 109 | 40 | | | | | | | | | | | | | | | | | | | | | | | | | | | | | | | | 40 | 109 |
| 97 | 35 | | | | | | | | | | | | | | | | | | | | | | | | | | | | | | | | 35 | 97 |
| 85 | 30 | | | | | | | | | | | | | | | | | | | | | | | | | | | | | | | | 30 | 85 |
| 74 | 25 | | | | | | | | | | | | | | | | | | | | | | | | | | | | | | | | 25 | 74 |
| 62 | 20 | | | | | | | | | | | | | | | | | | | | | | | | | | | | | | | | 20 | 62 |
| 51 | 15 | | | | | | | | | | | | | | | | | | | | | | | | | | | | | | | | 15 | 51 |
| 39 | 10 | | | | | | | | | | | | | | | | | | | | | | | | | | | | | | | | 10 | 39 |
| Feet | PSI | 30 | 35 | 40 | 45 | 50 | 55 | 60 | 65 | 70 | 75 | 80 | 85 | 90 | 95 | 100 | 105 | 110 | 115 | 120 | 125 | 130 | 135 | 140 | 150 | 160 | 170 | 180 | 190 | 200 | 210 | PSI | Feet | |

| CLP | HP | PUMP | HOUSING | PIPING | VOLT AND PHASE | PART NUMBER | DESCRIPTION |
|-----|----|------|---------|--------|----------------|-------------|---|
| CLP | 03 | A | A | C | 4 | CLP03AAC4 | CLP, 3HP PUMP A, BST, AL, CARBON STEEL PIPE, 200VAC, 1P or 3P |
| CLP | 03 | C | A | C | 4 | CLP03CAC4 | CLP, 3HP PUMP C, BST, AL, CARBON STEEL PIPE, 200VAC, 1P or 3P |
| CLP | 05 | B | A | C | 4 | CLP05BAC4 | CLP, 5HP PUMP B, BST, AL, CARBON STEEL PIPE, 200VAC, 1P or 3P |
| CLP | 05 | D | A | C | 4 | CLP05DAC4 | CLP, 5HP PUMP D, BST, AL, CARBON STEEL PIPE, 200VAC, 1P or 3P |
| CLP | 05 | E | A | C | 4 | CLP05EAC4 | CLP, 5HP PUMP E, BST, AL, CARBON STEEL PIPE, 200VAC, 1P or 3P |
| CLP | 05 | F | A | C | 4 | CLP05FAC4 | CLP, 5HP PUMP F, BST, AL, CARBON STEEL PIPE, 200VAC, 1P or 3P |
| CLP | 07 | G | A | C | 4 | CLP07GAC4 | CLP, 7.5HP PUMP G, BST, AL, CARBON STEEL PIPE, 200VAC, 1P or 3P |
| CLP | 07 | H | A | C | 4 | CLP07HAC4 | CLP, 7.5HP PUMP H, BST, AL, CARBON STEEL PIPE, 200VAC, 1P or 3P |
| CLP | 07 | J | A | C | 4 | CLP07JAC4 | CLP, 7.5HP PUMP J, BST, AL, CARBON STEEL PIPE, 200VAC, 1P or 3P |
| CLP | 10 | K | A | C | 4 | CLP10KAC4 | CLP, 10HP PUMP K, BST, AL, CARBON STEEL PIPE, 200VAC, 1P or 3P |
| CLP | 10 | L | A | C | 4 | CLP10LAC4 | CLP, 10HP PUMP L, BST, AL, CARBON STEEL PIPE, 200VAC, 1P or 3P |
| CLP | 10 | N | A | C | 4 | CLP10NAC4 | CLP, 10HP PUMP N, BST, AL, CARBON STEEL PIPE, 200VAC, 1P or 3P |
| CLP | 03 | A | A | C | 8 | CLP03AAC8 | CLP, 3HP PUMP A, BST, AL, CARBON STEEL PIPE, 480VAC, 3P |
| CLP | 03 | C | A | C | 8 | CLP03CAC8 | CLP, 3HP PUMP C, BST, AL, CARBON STEEL PIPE, 480VAC, 3P |
| CLP | 05 | B | A | C | 8 | CLP05BAC8 | CLP, 5HP PUMP B, BST, AL, CARBON STEEL PIPE, 480VAC, 3P |
| CLP | 05 | D | A | C | 8 | CLP05DAC8 | CLP, 5HP PUMP D, BST, AL, CARBON STEEL PIPE, 480VAC, 3P |
| CLP | 05 | E | A | C | 8 | CLP05EAC8 | CLP, 5HP PUMP E, BST, AL, CARBON STEEL PIPE, 480VAC, 3P |
| CLP | 05 | F | A | C | 8 | CLP05FAC8 | CLP, 5HP PUMP F, BST, AL, CARBON STEEL PIPE, 480VAC, 3P |
| CLP | 07 | G | A | C | 8 | CLP07GAC8 | CLP, 7.5HP PUMP G, BST, AL, CARBON STEEL PIPE, 480VAC, 3P |
| CLP | 07 | H | A | C | 8 | CLP07HAC8 | CLP, 7.5HP PUMP H, BST, AL, CARBON STEEL PIPE, 480VAC, 3P |
| CLP | 07 | J | A | C | 8 | CLP07JAC8 | CLP, 7.5HP PUMP J, BST, AL, CARBON STEEL PIPE, 480VAC, 3P |
| CLP | 10 | K | A | C | 8 | CLP10KAC8 | CLP, 10HP PUMP K, BST, AL, CARBON STEEL PIPE, 480VAC, 3P |
| CLP | 10 | L | A | C | 8 | CLP10LAC8 | CLP, 10HP PUMP L, BST, AL, CARBON STEEL PIPE, 480VAC, 3P |
| CLP | 10 | N | A | C | 8 | CLP10NAC8 | CLP, 10HP PUMP N, BST, AL, CARBON STEEL PIPE, 480VAC, 3P |

| Pump Curve | |
|--------------|---|
| 3_3BF1H9C0 | A |
| 3_22BF1H9E0 | C |
| 5_3BF1J9A0 | E |
| 5_4BF1J9H0 | B |
| 5_9BF1J9F0 | D |
| 5_22BFJ9A0 | F |
| 7.5_4BF1K9G0 | G |
| 7.5_5BF1K9G0 | H |
| 7.5_9BF1K9C0 | J |
| 10_4BF1L9D0 | K |
| 10_5BF1L9C0 | L |
| 10_9BF1L9A0 | N |

| Voltage and Phase Code | |
|------------------------|--|
| 4 | 200VAC (208-240) SINGLE OR THREE PHASE |
| 8 | 480VAC THREE PHASE |



| OPTIONS AND ACCESSORIES | |
|-------------------------|--|
| CLPSE51P | SURGE ARRESTOR SINGLE PHASE |
| CLPSE53P | SURGE ARRESTOR THREE PHASE |
| CLPBSTSW | FLOW START KIT |
| CLPFLTSW100 | FLOAT SWITCH, 100FT CABLE |
| CLPFTVLV4VF | FOOT VALVE, 4in. VERT FLANGE |
| 5 IN MODEL NUMBER | STAINLESS STEEL PIPING IN LIEU OF CARBON STEEL |

