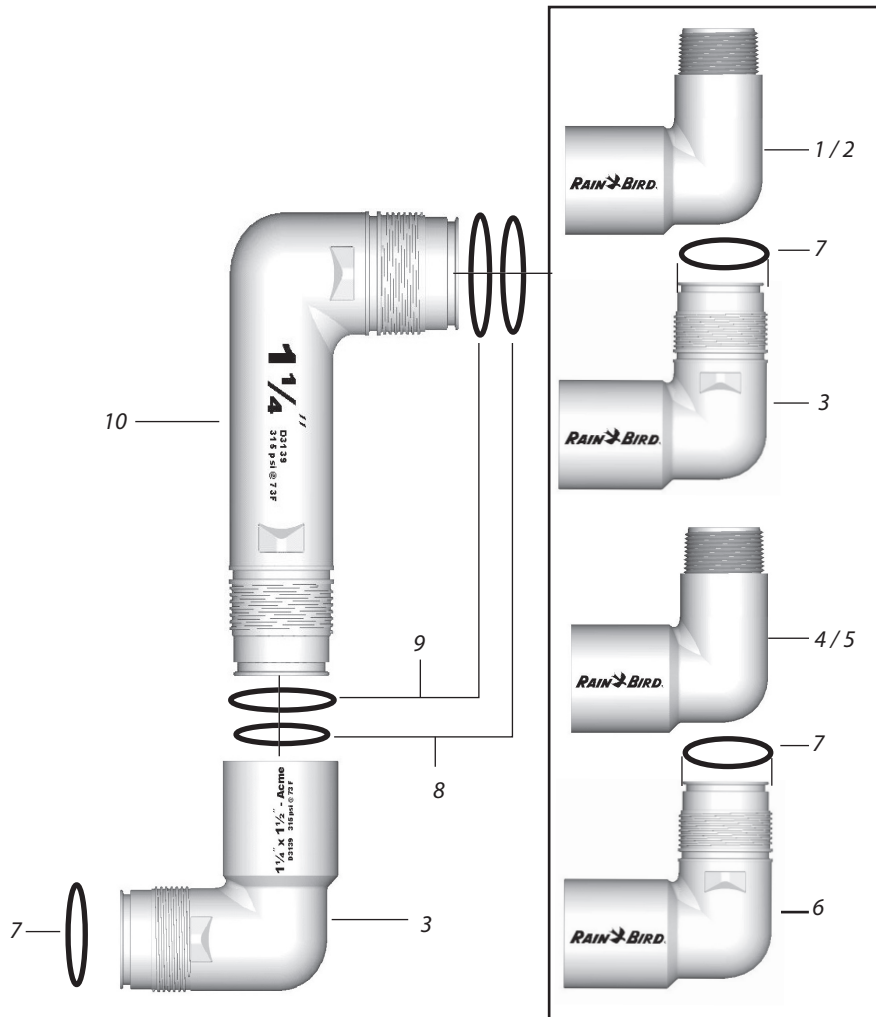


Ref.	Part Description	Qty.	1"	1 1/4"	1 1/2"
1	Outlet (NPT)	1	21187001	21187801	21186601
2	Outlet (BSP)	1	21187002	(21187802)	(21186602)
3	Outlet (ACME)*	1	212008	212014	212020
4	Enlarging Outlet (NPT)	1	(21187101)	(21187901)	N/A
5	Enlarging Outlet (BSP)	1	(21187102)	(21187902)	N/A
6	Enlarging Outlet (ACME)*	1	212009	212015	N/A
7	O-Ring, Outlet Seal (ACME)	1	21187201	21187204	21187207
8	O-Ring, Internal (Front) Seal	3	21187202	21187205	21187208
9	O-Ring, Internal (Back) Seal	3	21187203	21187206	21187209
10	Layarm 8" ^{1/2} *	1	—	—	—
—	12" ^{1/2} *	1	—	—	—
—	18" ^{1/2} *	1	—	—	—
11	Internal Elbow	1	212007	212013	212019
12	Socket Inlet	1	(21186703)	(21187503)	(21186303)
13	Spigot Inlet	1	21186704	21187504	(21186304)
14	Metric Spigot Inlet	1	(21186705)	(21187505)	(21186305)
15	Inlet (NPT)	1	21186701	21187501	21186301
16	Inlet (BSP)	1	(21186702)	(21187502)	(21186302)
17	Gasketed - Service Tee 2"	1	—	—	—
18	Gasketed - Service Tee 2.5"	1	—	—	—

* Includes o-ring(s)

Note: Part numbers enclosed in brackets () are not available individually, but may be sold in assemblies or kits.

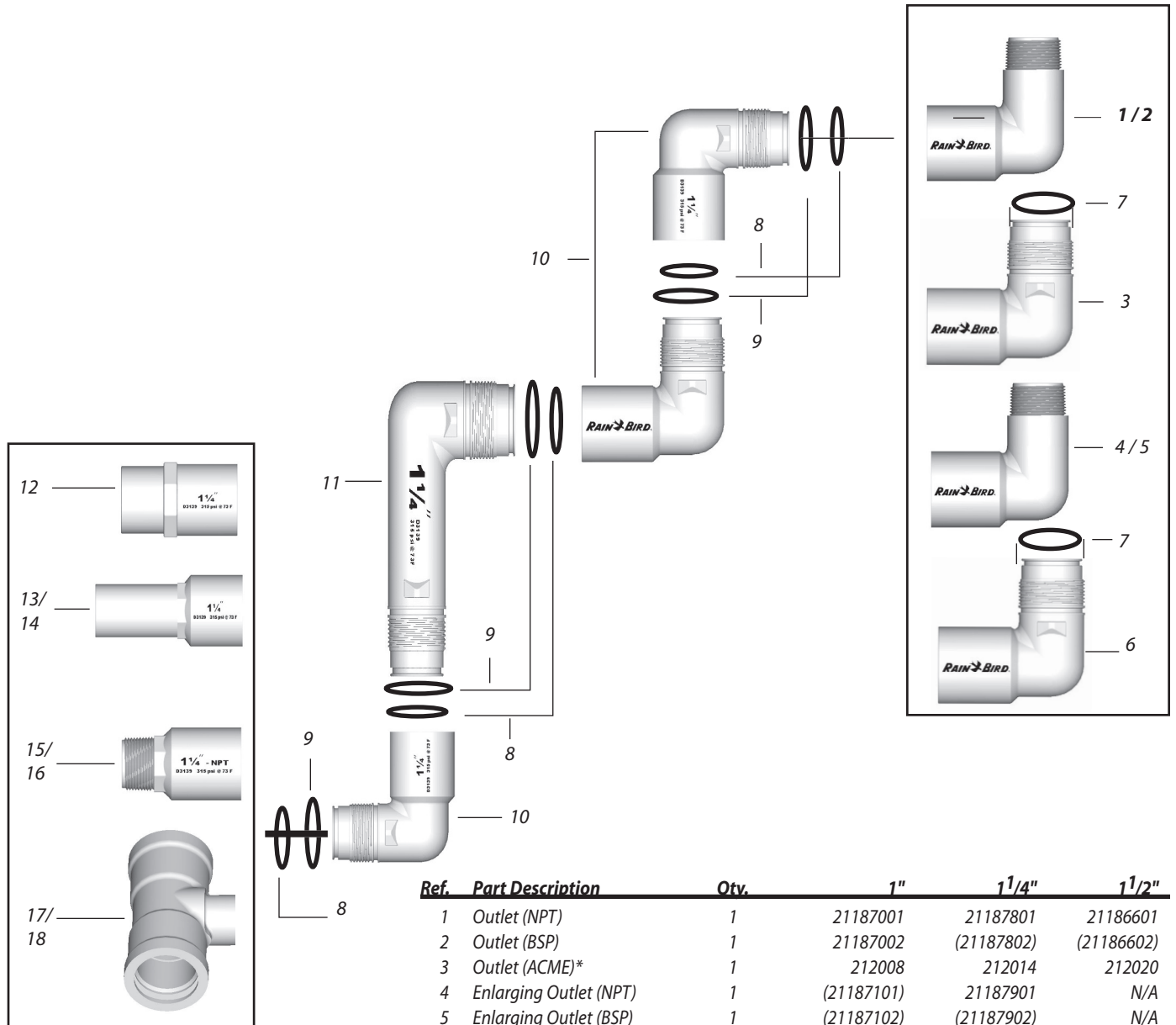
STANDARD SWING JOINT ASSEMBLY WITH ACME INLET



Ref.	Part Description	Qty.	1"	1 1/4"	1 1/2"
1	Outlet (NPT)	1	21187001	21187801	21186601
2	Outlet (BSP)	1	21187002	(21187802)	(21186602)
3	Outlet (ACME)*	1	212008	212014	212020
4	Enlarging Outlet (NPT)	1	(21187101)	21187901	N/A
5	Enlarging Outlet (BSP)	1	(21187102)	(21187902)	N/A
6	Enlarging Outlet (ACME)*	1	212009	212015	N/A
7	O-Ring, Outlet Seal (ACME)	1	21187201	21187204	21187207
8	O-Ring, Internal (Front) Seal	2	21187202	21187205	21187208
9	O-Ring, Internal (Back) Seal	2	21187203	21187206	21187209
10	Layarm 8" ^{**}	1	—	—	—
—	12" ^{**}	1	—	—	—
—	18" ^{**}	1	—	—	—

* Includes o-ring(s)

Note: Part numbers enclosed in brackets () are not available individually, but may be sold in assemblies or kits.

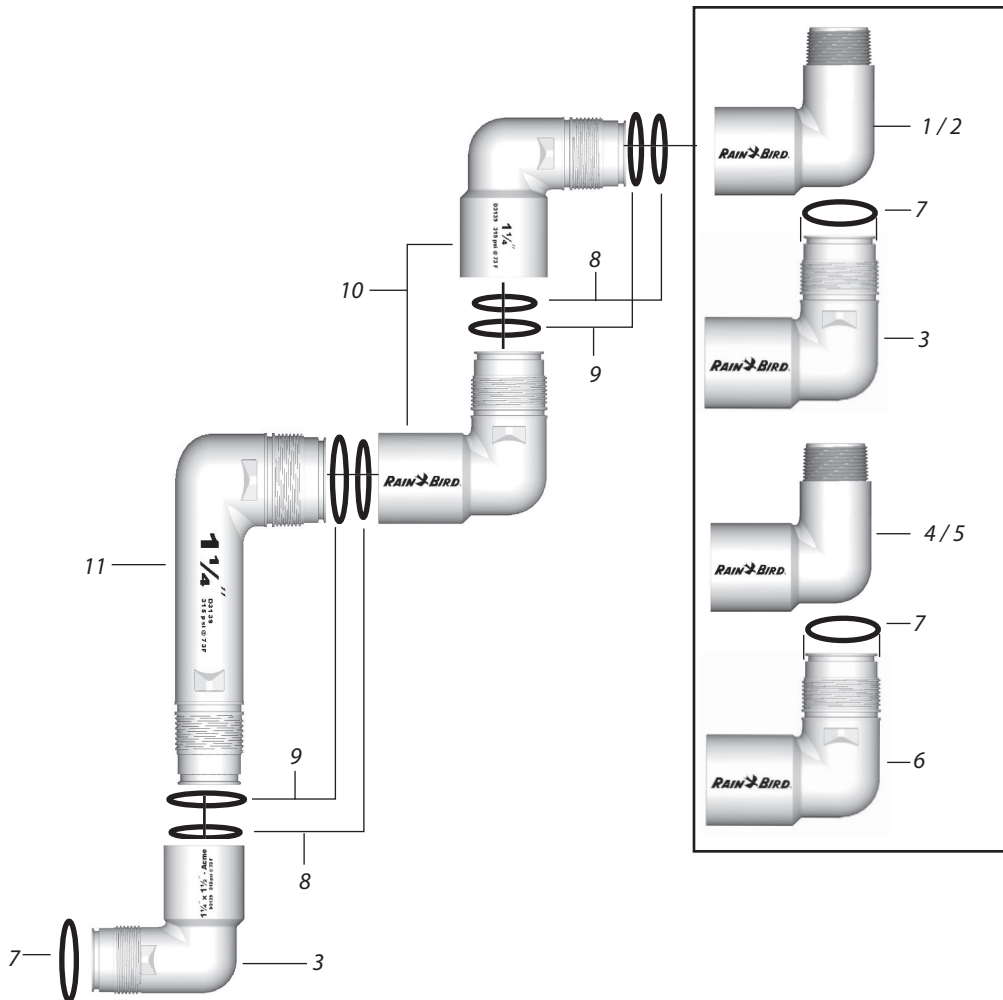


Ref.	Part Description	Qty.	1"	1 1/4"	1 1/2"
1	Outlet (NPT)	1	21187001	21187801	21186601
2	Outlet (BSP)	1	21187002	(21187802)	(21186602)
3	Outlet (ACME)*	1	212008	212014	212020
4	Enlarging Outlet (NPT)	1	(21187101)	21187901	N/A
5	Enlarging Outlet (BSP)	1	(21187102)	(21187902)	N/A
6	Enlarging Outlet (ACME)*	1	212009	212015	N/A
7	O-Ring, Outlet Seal (ACME)	1	21187201	21187204	21187207
8	O-Ring, Internal (Front) Seal	5	21187202	21187205	21187208
9	O-Ring, Internal (Back) Seal	5	21187203	21187206	21187209
10	Internal Elbow*	3	212007	212013	212019
11	Layarm 8"*	1	—	—	—
—	12"*	1	—	—	—
—	18"*	1	—	—	—
12	Socket Inlet	1	(21186703)	(21187503)	(21186303)
13	Spigot Inlet	1	21186704	21187504	(21186304)
14	Metric Spigot Inlet	1	(21186705)	(21187505)	(21186305)
15	Inlet (NPT)	1	21186701	21187501	21186301
16	Inlet (BSP)	1	(21186702)	(21187502)	(21186302)
17	Gasketed - Service Tee 2"	1	—	—	—
18	Gasketed - Service Tee 2.5"	1	—	—	—

* Includes o-ring(s)

Note: Part numbers enclosed in brackets () are not available individually, but may be sold in assemblies or kits.

TRIPLE TOP SWING JOINT ASSEMBLY WITH ACME INLET



Ref.	Part Description	Qty.	1"	1 1/4"	1 1/2"
1	Outlet (NPT)	1	21187001	21187801	21186601
2	Outlet (BSP)	1	21187002	(21187802)	(21186602)
3	Outlet (ACME)*	2	212008	212014	212020
4	Enlarging Outlet (NPT)	1	(21187101)	(21187901)	N/A
5	Enlarging Outlet (BSP)	1	(21187102)	(21187902)	N/A
6	Enlarging Outlet (ACME)*	1	212009	212015	N/A
7	O-Ring, Outlet Seal (ACME)	1	21187201	21187204	21187207
8	O-Ring, Internal (Front) Seal	4	21187202	21187205	21187208
9	O-Ring, Internal (Back) Seal	4	21187203	21187206	21187209
10	Internal Elbow*	2	212007	212013	212019
11	Layarm 8"*	1	—	—	—
-	12"*	1	—	—	—
-	18"*	1	—	—	—

* Includes o-ring(s)

Note: Part numbers enclosed in brackets () are not available individually, but may be sold in assemblies or kits.