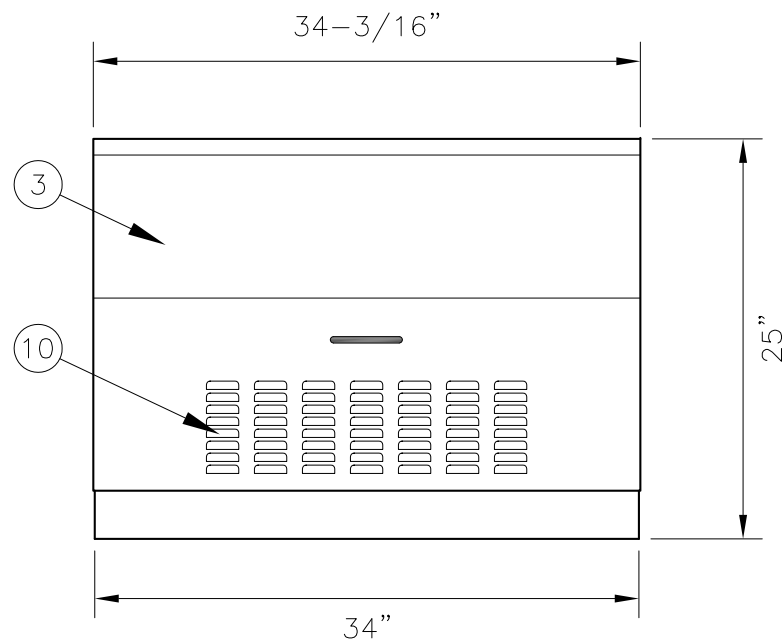
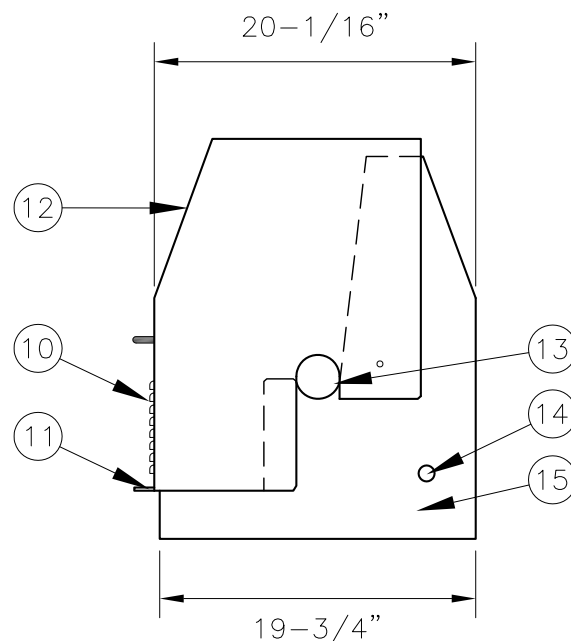


1-HP HEAVY DUTY PUMP



FRONT



SIDE

STEEL ENCLOSURE

- ① 1-HP HEAVY DUTY PUMP
- ② PSR-P
- ③ CLAM SHELL POWDER COATED STEEL ENCLOSURE
- ④ 230 VOLT MAIN POWER PLUG WITH QUICK DISCONNECTING PIGGY-TAIL CORD
- ⑤ 1-1/2" PVC ADAPTER
- ⑥ QUICK DISCONNECTING COUPLING
- ⑦ QUICK DISCONNECTING COUPLING
- ⑧ 1-1/2" DISCHARGE LINE
- ⑨ 2" SUCTION LINE
- ⑩ COOLING LOUVRES
- ⑪ PADLOCK HASP
- ⑫ ENCLOSURE TOP COVER
- ⑬ INTAKE/DISCHARGE HOLE (BOTH SIDES)
- ⑭ Ø1" KNOCK OUT FOR 3/4" CONDUITS (BOTH SIDES)
- ⑮ ENCLOSURE BASE