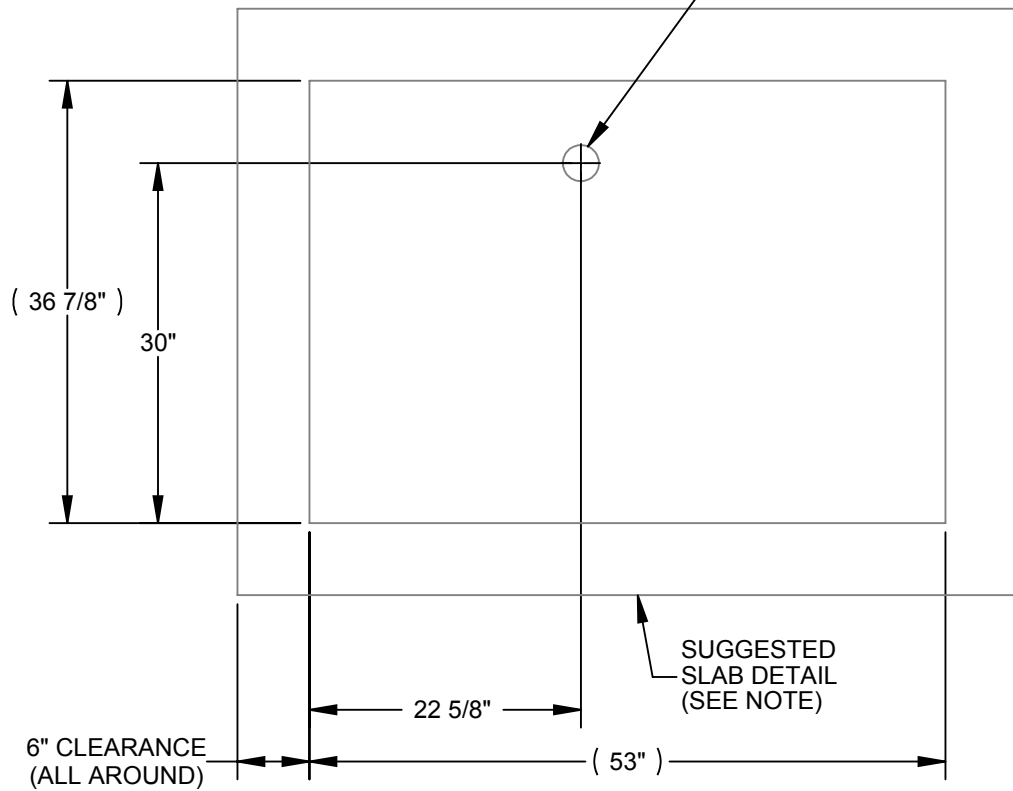


- OPTIONS:**
- ENVIRONMENTAL PACKAGE & SOUND REDUCTION
  - STATION FLANGED ADAPTERS (3"x2" OR 3"x4")
  - STATION Z PIPES (INTAKE & DISCHARGE)
  - WITHOUT STATION ENCLOSURE

**TYPICAL STANDARD DRAWING**  
4/25/2013

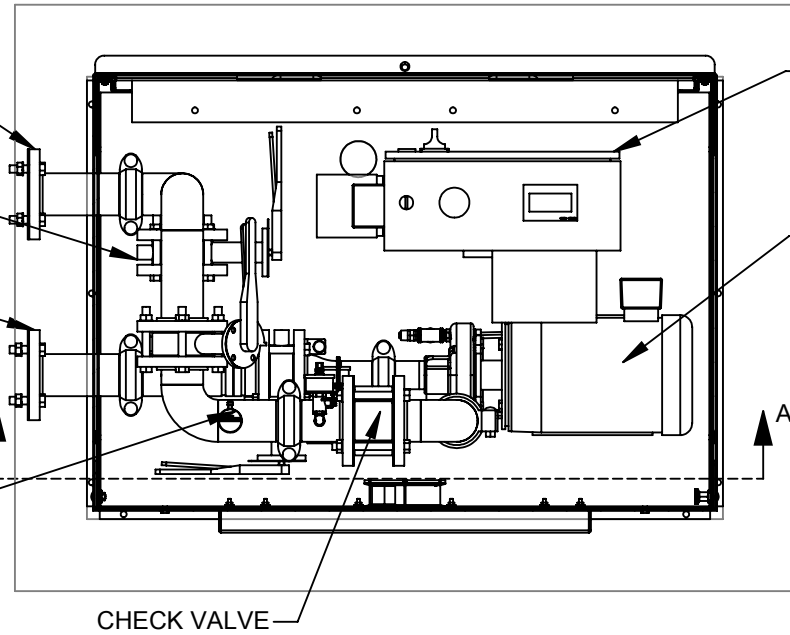
POWER:	XXX/YY/Z V/HZ/PH
FULL LOAD AMP:	XX A
SERVICE REQ:	XX A
DESIGN FLOW:	XX GPM
MIN FLOW:	XX GPM
DISCHARGE PRESSURE:	XX PSI
BOOST PRESSURE:	XX PSI
INLET PRESSURE:	XX PSI

RECOMMENDED LOCATION FOR ELECTRICAL CONDUIT (Ø3.00 HOLE)

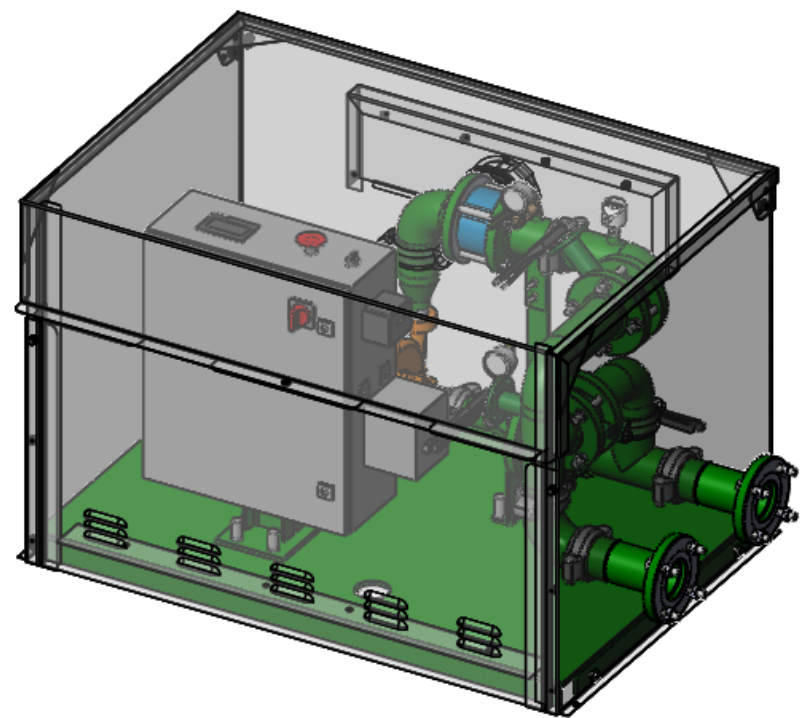
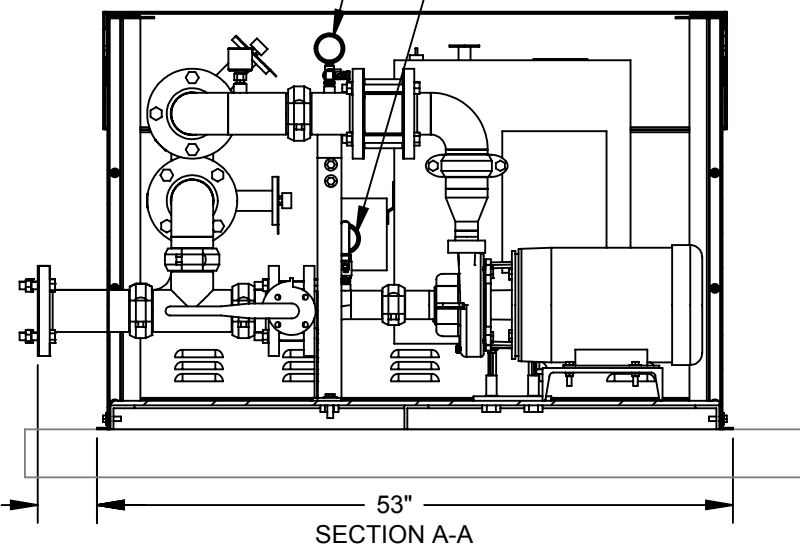
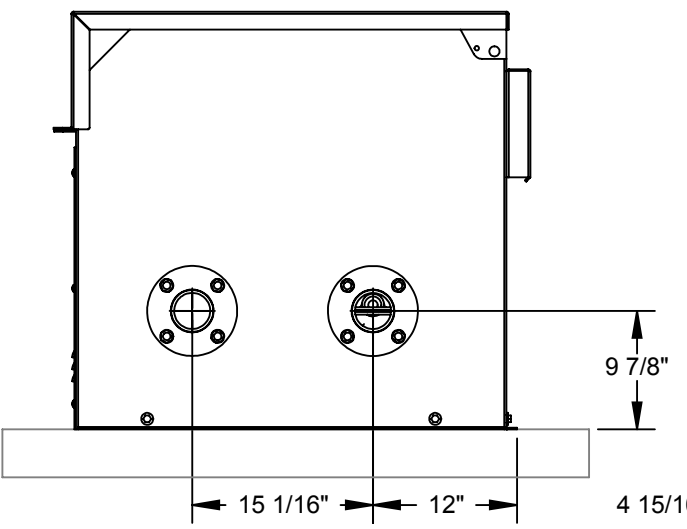
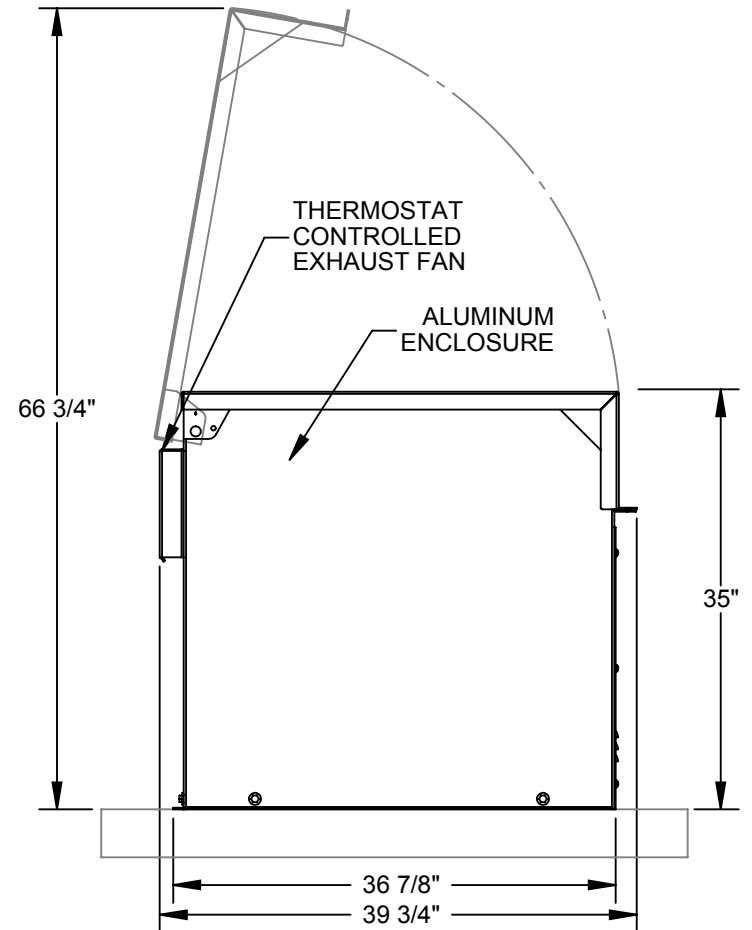


SUGGESTED SLAB DETAIL (SEE NOTE)

- DISCHARGE FLANGE (3", 150#)
- BYPASS VALVE (3", 150#)
- INTAKE FLANGE (3", 150#)
- FLOW SWITCH



- CONTROL CABINET WITH TOUCHSCREEN
- HORIZONTAL 10 HP PUMP



- NOTES:**
1. DIMENSIONS SHOWN ARE MINIMUM RECOMMENDED CLEARANCES FROM PUMP STATION TO SLAB EDGE.
  2. SLAB DETAIL IS PROVIDED FOR ILLUSTRATION ONLY. THE ARCHITECT OR PROJECT ENGINEER SHOULD BE CONSULTED FOR CONSTRUCTION DETAIL.
  3. SLAB AND PUMP HOUSE MUST BE BUILT IN ACCORDANCE WITH LOCAL BUILDING CODES.

<p><b>NOTICE:</b></p> <p>THIS DRAWING EMBODIES A CONFIDENTIAL PROPRIETARY DESIGN ORIGINATED BY RAIN BIRD CORPORATION. ALL DESIGN, MANUFACTURING, USE AND SALE RIGHTS REGARDING THE SAME ARE EXPRESSLY RESERVED. IT IS SUBMITTED UNDER A CONFIDENTIAL RELATIONSHIP FOR A SPECIFIC PURPOSE AND THE RECIPIENT AGREES BY ACCEPTING THIS DRAWING NOT TO SUPPLY OR DISCLOSE ANY INFORMATION REGARDING IT TO ANY UNAUTHORIZED PERSON, OR TO INCORPORATE IN OTHER PROJECTS ANY SPECIAL FEATURE UNIQUE TO THIS DESIGN. ALL PATENT RIGHTS HERETO ARE EXPRESSLY RESERVED.</p>	<p>UNLESS OTHERWISE SPECIFIED:</p> <p>FRACTIONAL TOLERANCE = ± 1/8"</p> <p>DRILLED HOLE Ø = ± 1/32"</p> <p>ANGULAR = ± 2°</p> <p>DECIMAL TOLERANCE X .001 = ± .001" XXX = ± .010"</p>	<p>DRAWN: JMM DATE: 4/25/2013</p> <p>DESIGNED: JMM DATE: 4/25/2013</p> <p>SCALE: 1:16</p> <p>DO NOT SCALE DRAWING</p> <p>LAST MODIFIED IN VERSION: SolidWorks 2011</p> <p>DWG SYMBOLS PER ANSI</p>	<p>PROJ. NO. 300605</p> <p>PROJ. NAME: 10 HP B1.5TPMS THRU ENCLOSURE</p>
		<p>TITLE: 1-10 HP PUMP STATION</p> <p>DRAWING NUMBER: TYPICAL -</p>	<p>PART NO. _____</p> <p>REV. _____</p>
		<p>PROJECT: _____</p> <p>DATE: _____</p>	<p>SHEET 1 OF 1</p>
		<p>PROJECT: _____</p> <p>DATE: _____</p>	<p>SHEET 1 OF 1</p>