

Ref.	Part Description	F3002 (1997 - 1998)
------	------------------	---------------------

01	Bearing Sleeve***	71-P50824 + 71-P51176 + 71-P51001
03	Lower Bearing O-Ring Seal	71-P50121
04	Lock Nut***	71-P50824 + 71-P51176 + 71-P51001
05	Ball Bearing	71-P50544
06	Snap Ring	71-P50463
07	Lock Nut O-Ring Seal	71-P50155
08	Upper Bearing O-Ring Seal	71-P50464
09	Elbow/Range Tube Assembly***	71-P51001 + 71-P51176 + 71-P50471
11	Pivot Snap Ring (2 required)	Included in Ref. 24
12	Pivot Ball Bearing (2 required)	Included in Ref. 24
13	Arm Ball Bearing (2 required)	Included in Ref. 24
14	Spoon Kit	71-P50824
16	Arm Assembly/Counterweight	71-P50472
17	Arm Nut (2 required)	Included in Kit C
18	Arm Washer (2 required)	Included in Kit C
19	Arm Shaft	Included in Kit C
20	Spacer (3 required)	71-P50420
21	Arm Spring***	71-P50706 + 71-P50826 + 71-P50812
22	Pivot Cap	71-P50336
23	Snap Ring	71-P00358
24	Pivot Assembly	71-P50826
25	Nozzle Retainer	71-105943
31	Brake Kit***	71-P50824 + 71-P51176 + 71-P51001
32	GNS-3003T Nozzle Set*	L003003
33	Bearing Assembly***	71-P50824 + 71-P51176 + 71-P51001
34	Pivot Stop	71-P50592

ACCESSORIES

35	2" Female BSP Adapter**	71-P50545
36	2" Female NPT Adapter**	71-P50596
37	Bearing Wrench (1999)	71-P50697

SPARE PART KITS

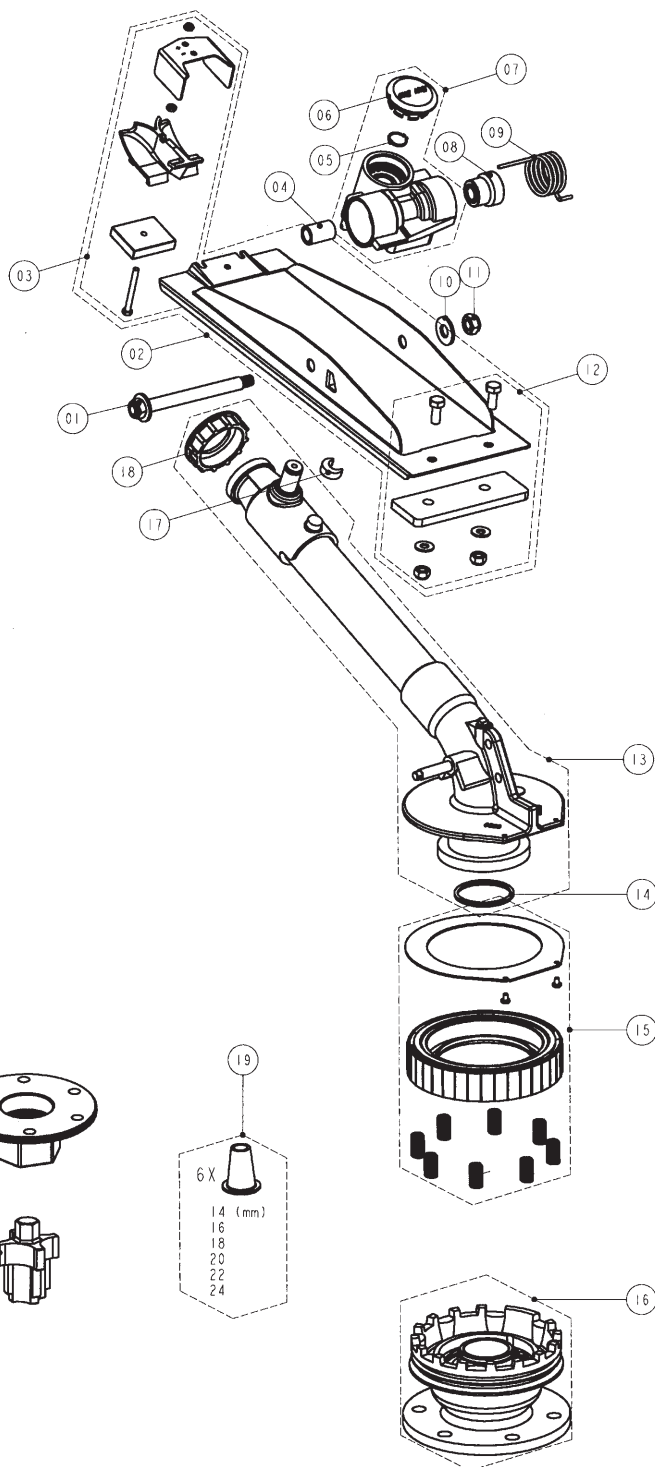
C	Arm Shaft Kit	71-P50591
---	---------------	-----------

* Consult current Agricultural Equipment Price List

** Consult Rain Bird for Pricing information

*** All 3 Parts Must Be Ordered to Replace the Original Part.

Note: Part numbers enclosed in brackets () are not available individually, but may be sold in assemblies or kits.



Ref. Part Description F3002 (1999)

01	Arm Shaft Assembly	included in Kit C
02	Arm Assembly/Counterweight	71-P50472
03	Spoon Assembly	71-P50824
04	Spacer	71-P50420
05	Snap Ring	71-P00358
06	Pivot Cap Assembly	71-P50825
07	Pivot Assembly	71-P50826
08	Spring Spacer	71-P50706
09	Arm Spring	71-P50812
10	Arm Washer	included in Kit C
11	Arm Locknut	included in Kit C
12	Counterweight Kit	71-P50827
13	Elbow/Range Tube Assembly	71-P50471
14	O-Ring	71-P50155
15	Brake Assembly	71-P51176
16	Bearing Assembly	71-P51001
17	Pivot Stop	71-P50592
18	Nozzle Retainer	71-105943
19	GNS-3003T Nozzle Set*	L003003

ACCESSORIES

20	2" Female BSP Adapter**	71-P50545
21	2" Female NPT Adapter**	71-P50596
22	Bearing Wrench (1999)	71-P50697

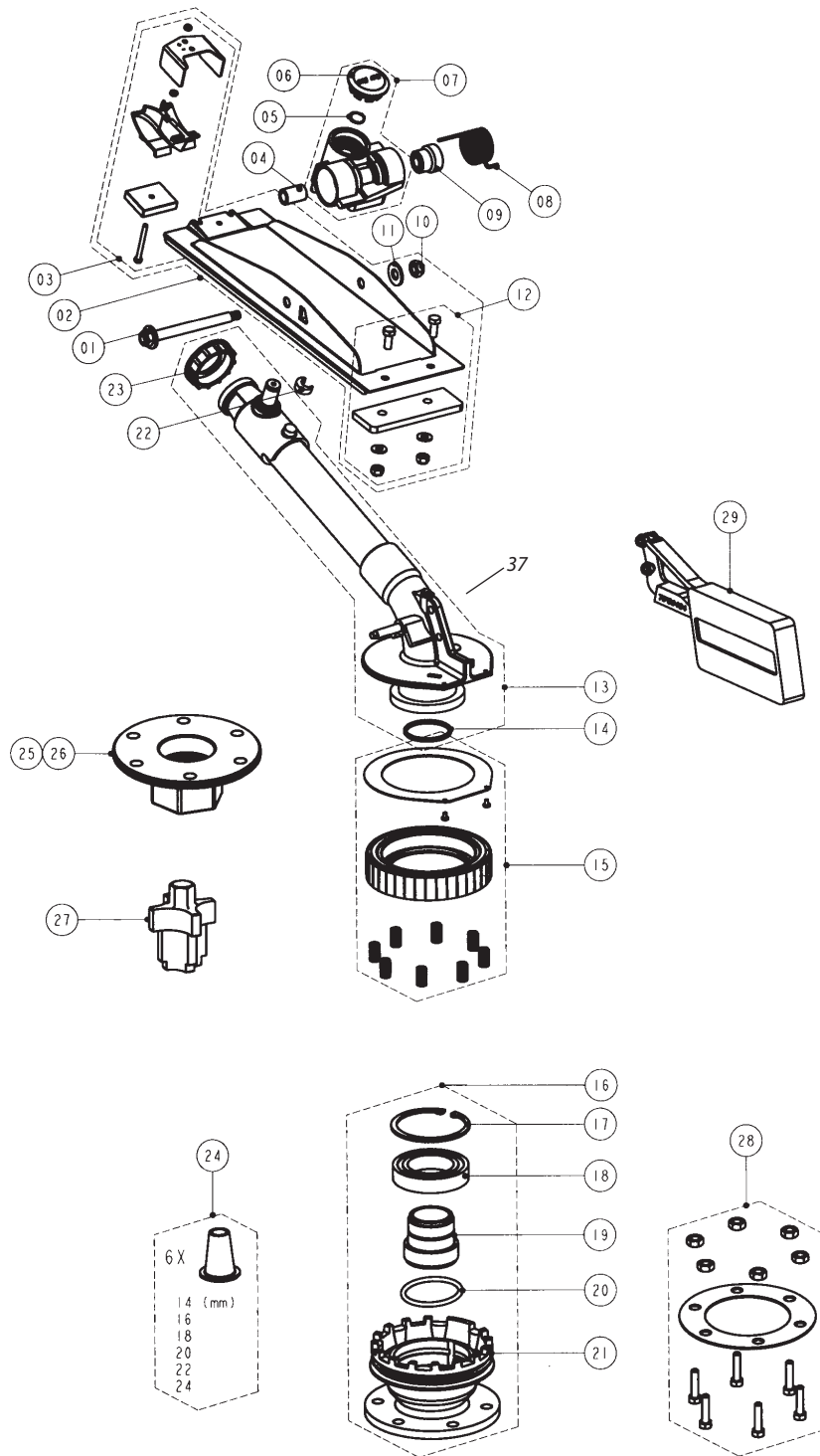
SPARE PART KITS

C	Arm Shaft Kit	71-P50591
---	---------------	-----------

* Consult current Agriculture Equipment Price List

** Consult Rain Bird for Pricing information

Note: Part numbers enclosed in brackets () are not available individually, but may be sold in assemblies or kits.



Ref.	Part Description	F3002 (2000)
01	Arm Shaft Assembly	Included in Kit A
02	Arm Assembly Counterweight	71-P50472
03	Spoon Assembly	71-P50824
04	Spacer	71-P50420
05	Snap Ring	71-P00358
06	Pivot Cap Assembly	71-P50825
07	Pivot Assembly	71-P50826
08	Arm Spring	71-P50812
09	Spring Spacer	71-P50706
10	Arm Locknut	Included in Kit A
11	Arm Washer	Included in Kit A
12	Counterweight Kit	71-P50827
13	Elbow/Range Tube Assembly	71-P50471
14	O-Ring	71-P50155
15	Brake Assembly	71-P51176
16	Bearing Assembly	71-P51001
17	Snap Ring	71-P50463
18	Ball bearing	71-P50544
19	Lock Nut	71-P50793
20	O-Ring	71-P50121
21	Bearing Sleeve	71-P50794
22	Pivot Stop	71-P50592
23	Nozzle Retainer	71-105943
24	GNS-3003T Nozzle Set*	L003003
37	Pressure Port Plug	71-P20006

ACCESSORIES

25	2" Female BSP Adapter*	71-P50545
26	2" Female NPT Adapter	71-P50596
27	Bearing Wrench	71-P50697
28	Riser Installation Kit	71-P00368
29	Rear Counterweight*	L00270

SPARE PART KITS

A	Arm Shaft Kit	71-P50591
---	---------------	-----------

* Consult current Agricultural Equipment Price List.

Note: Part numbers enclosed in brackets () are not available individually, but may be sold in assemblies or kits.