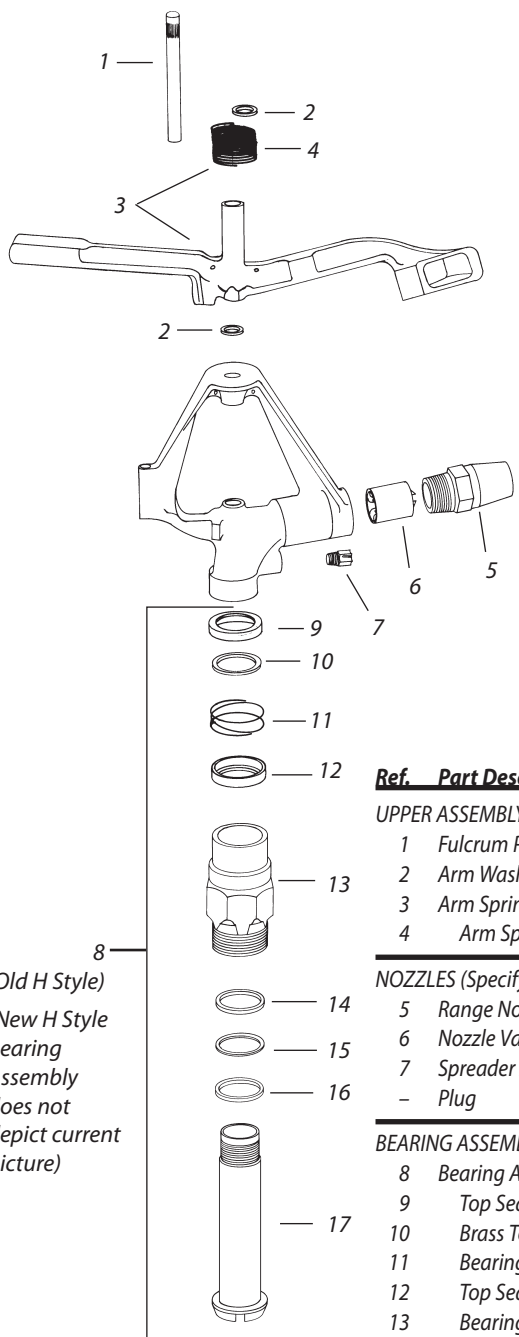


80E TNT / 80EW TNT / 80E H / 80EW H
 80EH-LA / 80EWH-LA / 80EHD-BSP



(Old H Style)
 (New H Style
 Bearing
 Assembly
 does not
 depict current
 picture)

Ref.	Part Description	80E TNT 80EW TNT	80E H 80EW H	80EH-LA 80EWH-LA	80EHD-BSP
UPPER ASSEMBLY					
1	Fulcrum Pin	100430	100430	100430	100430
2	Arm Washer (2)	100432	100432	100432	100432
3	Arm Spring Assembly	105955	106019	106019	106019
4	Arm Spring	100431	100431	100431	100431
NOZZLES (Specify nozzle size when ordering)					
5	Range Nozzle	103043	103043	103043	103043
6	Nozzle Vane	101275	101275	101275	101275
7	Spreader 20 Degree	100226	100226	-	100226
-	Plug	100255	100255	-	100255
BEARING ASSEMBLY					
8	Bearing Assembly (H Style)	-	(A) (104640)	(A) (104640)	118039
9	Top Seal Washer, Upper (Black)	-	113100	113100	113100
10	Brass Top Seal Washer	-	113098	113098	113098
11	Bearing Spring	-	100449	100449	100449
12	Top Seal Washer, Lower (Black)	-	113309	113309	113309
13	Bearing Sleeve	-	(113097)	(113097)	(103309)
14	Bearing Washer (Black)	-	113099	113099	113099
15	Wear Washer (Orange)	-	104639	104639	104639
16	Bearing Washer, Seal (Black)	-	104638	104638	104638
17	Bearing Nipple	-	(113096)	(113096)	(113096)
-	Bearing Assembly (Old TNT Style)	(A) (100969)	-	-	-
11	Bearing Spring	100449	-	-	-
10	Brass Top Seal Washer	103465	-	-	-
-	Top Seal Washer (Clear White)	100444	-	-	-
13	Bearing Sleeve	(A) (100907)	-	-	-
14	Bearing Washer (Fiber)	(100129)	-	-	-
17	Bearing Nipple	(A) (100434)	-	-	-

(A) Not available. Use H Bearing Assembly # 117376.

Note: Part numbers enclosed in brackets () are not available individually, but may be sold in assemblies or kits.