

3000 Series Rain Guns® Two Inch, Full and Part Circle

Longer life, improved performance and better value – guaranteed!

The new 3000 Series Rain Gun® brings Rain Bird back to the forefront of quality, performance, and reliability. This next generation model incorporates recent end user feedback and new materials to bring you the best value in today's high volume sprinkler market. To back up this claim, Rain Bird offers the best warranty in the industry. For all agricultural applications, the 3000 Series Rain Gun is backed by an unprecedented 3-year warranty. No other gun manufacturer in the industry stands behind their product for this long.



SR3003 Slow Reverse Rain Gun

SR3003 and F3002 Features

- 23° body trajectory
- Laser cut, spring loaded, stainless steel arm
- Improved spoon design with adjustable spoon bracket to increase or decrease rotation speed
- Set of 6 metric, taper bore nozzles included - 14, 16, 18, 20, 22, & 24 mm (.55, .63, .71, .79, .87, .94 inches)
- Integral straightening vanes
- Stronger body assembly
- Reinforced linkage assemblies
- Self-adjusting brake mechanism
- Sealed lube-for-life bearing
- Improved trip-collar adjustments
- 6 hole, flange mount standard
- NPT and BSP flange adapters
- Counterweight available for sloped conditions
- 3 year warranty

High Standards means Longer Life

Some of the factors that lead to long life and low maintenance:

- Rain Guns are manufactured to the highest standards in a factory that is ISO9002 certified.
- Every Rain Gun is water tested before it leaves the factory.

- Grease maintenance is eliminated with permanently sealed bearings.
- The braking system is also maintenance free with new springs for 2002 to allow for reliable rotation and reduced sensitivity to uneven pressure conditions.
- Trip mechanisms are reinforced with stainless steel washers and cotter pins. Straightening vanes are extruded directly into the body to reduce fluid turbulence and add strength and distance to the water stream.

Lower Maintenance

Rain Guns are designed to keep working for years with minimal maintenance. Many of our competitors pack their bearings less than 30% full. This unfilled space allows for condensation and water build-up which can lead to an eventual breakdown of the grease, corrosion, and bearing failure. This is why all Rain Gun bearings are permanently sealed and packed 70% full with a robust, wide temperature range, water resistant silicone grease.

The braking system is also maintenance free. The spring loaded break self-adjusts to keep consistent rotation times through the life of the gun. All trip mechanisms are reinforced with stainless steel washers and cotter pins. Straightening vanes are molded directly into the body to cut down

continued inside

Part Numbers

SR3003

Slow Reverse,
Part Circle Rain Gun

F3002

Full Circle Rain Gun

How to Order:

SR - 3003 - NPT

Arc Settings

SR=Slow Reverse
F=Full Circle

(optional) Female Flange Adapter

NPT=Standard
Pipe Thread
BSP=British
Standard Pipe

Model

Lower Maintenance *continued*

on water turbulence and to add strength and distance of throw.

All body joints are bonded and threaded together using a chemical process that is rated for up to 7 tons of pressure. The trip collars are easily adjustable and stay in place without the use of tools or time consuming adjustments. The bearing assembly is marked every 10° to make arc adjustments easier.

Even with all these features, 3000 Series Rain Guns are constructed using less than 50 components. Fewer components mean fewer problems so you can rest easy – confident in your decision to choose Rain Bird.

The Best Value

- Aluminum body construction with stainless steel hardware to provide all the value at the lowest price possible.
- All accessories are included in each box including:
 - Standard 2 mm neoprene gasket and bolt kit for the mounting flange.
 - Set of 6 taper bore nozzles – 14, 16, 18, 20, 22, & 24 mm sizes.
 - Glycerin filled pressure gauge to ensure optimal setup.

- Comprehensive user manual with installation and application troubleshooting tips.

Outstanding Performance

The 3000 Series Rain Guns are built to perform and to last. The all new arm is laser cut from a solid sheet of stainless steel to provide maximum strength, durability and corrosion resistance. The spoon is molded from chemical and impact resistant Delrin®. A stainless steel spring absorbs excess shock from the arm which allows for a much smoother arm stroke, and the removal of excess counterweights. With the counterweights out of the way, the arm can be centered directly over the body of the gun, distributing weight evenly. By reducing the weight of the gun and bringing it into balance, excess vibration and wear are reduced which dramatically improves the performance and life of the gun.



Stainless steel arm with Delrin® spoon



Set of 6 taper bore nozzles

Performance Data - U.S. Units

PSI @ Nozzle	NOZZLE SIZE											
	.55"		.63"		.71"		.79"		.87"		.94"	
	Rad.	Flow	Rad.	Flow	Rad.	Flow	Rad.	Flow	Rad.	Flow	Rad.	Flow
40	103	55	105	72	113	92	131	114	126	134	126	162
50	109	61	111	79	124	101	137	124	136	148	137	177
60	115	66	120	86	133	110	141	136	140	162	142	193
70	121	72	126	93	140	118	146	147	149	175	151	209
80	128	77	128	99	146	127	153	157	161	188	166	224
90	134	82	135	106	151	136	159	168	168	201	175	240
100	140	88	141	113	154	144	164	178	176	214	184	255

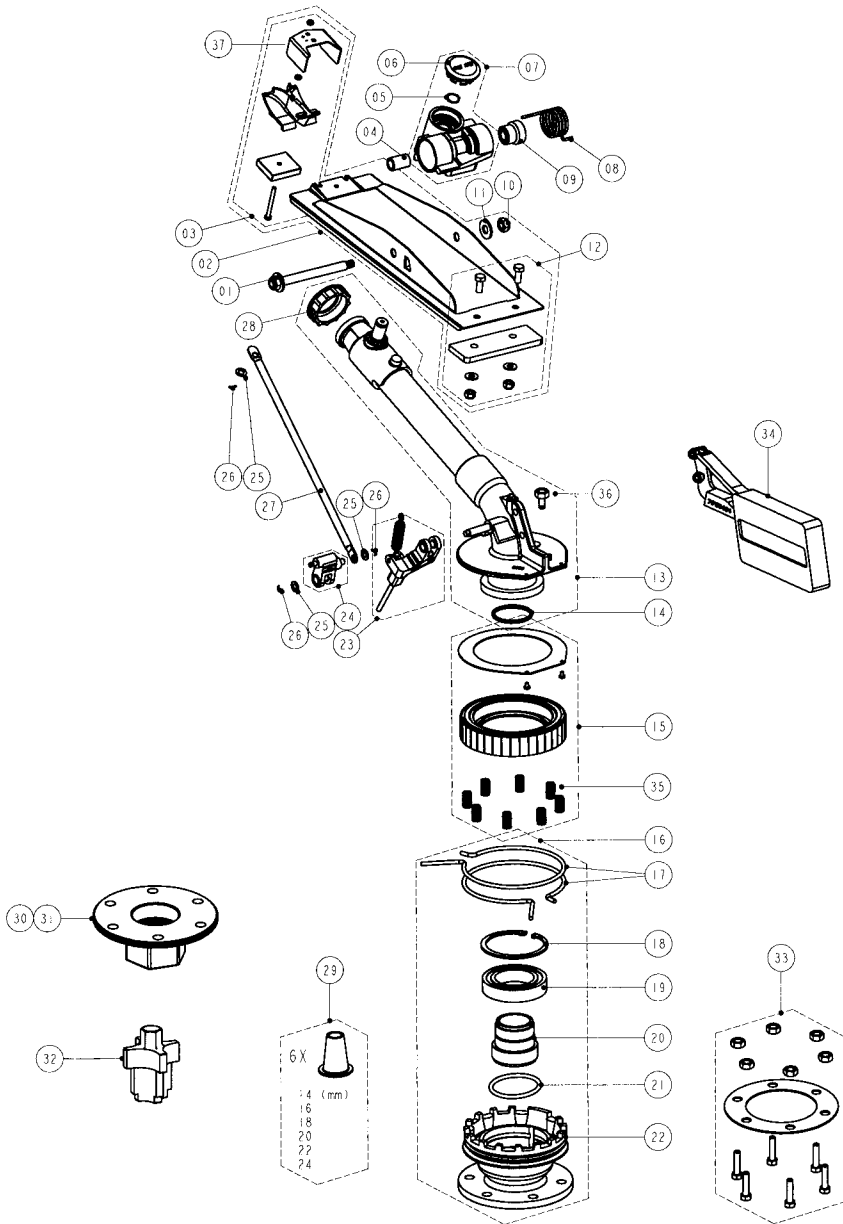
Performance Data - Metric Units

BARS @ Nozzle	NOZZLE SIZE											
	14 mm		16 mm		18 mm		20 mm		22 mm		24 mm	
	Rad.	Flow	Rad.	Flow	Rad.	Flow	Rad.	Flow	Rad.	Flow	Rad.	Flow
2.8	31,4	12,5	32,0	16,4	34,4	20,9	39,9	25,9	38,4	30,4	38,4	36,8
3.4	33,2	13,9	33,8	17,9	37,8	22,9	41,8	28,2	41,5	33,6	41,8	40,2
4.1	35,1	15,0	36,6	19,5	40,5	25,0	43,0	30,9	42,7	36,8	43,3	43,9
4.8	36,9	16,4	38,4	21,1	42,7	26,8	44,5	33,4	45,4	39,8	46,0	47,5
5.5	39,0	17,5	39,0	22,5	44,5	28,9	46,6	35,7	49,1	42,7	50,6	50,9
6.2	40,8	18,6	41,1	24,1	46,0	30,9	48,5	38,2	51,2	45,7	53,3	54,5
6.9	42,7	20,0	43,0	25,7	46,9	32,7	50,0	40,4	53,6	48,6	56,1	57,9



Arm pivot housing

Parts Diagram and Description



Ref.	Part Description	Part Numbers
1	Arm Shaft Assembly	Included in Kit B
2	Arm Assembly/Counterweight	71-P50472
3	Spoon Assembly	71-P50824
4	Spacer	71-P50420
5	Snap Ring	71-P00358
6	Pivot Cap Assembly	71-P50825
7	Pivot Assembly	71-P50826
8	Arm Spring	71-P50812
9	Spring Spacer	71-P50706
10	Arm Locknut	Included in Kit B
11	Arm Washer	Included in Kit B
12	Counterweight Kit	71-P50827
13	Elbow/Range Tube Assembly	71-P50471
14	O-Ring	71-P50155
15	Brake Assembly	71-P50814
16	Bearing Assembly	71-P50976
17	Friction Collar (2 Required)	71-P50116
18	Snap Ring	71-P50463
19	Ball Bearing	71-P50544
20	Lock Nut	71-P50793
21	O-Ring	71-P50121
22	Bearing Sleeve	71-P50794
23	Trip Lever Assembly	71-P50538
24	Trip Link Bushing	71-P50539
25	Elbow Shaft Washer (3 Required)	Included in Kit A
26	Cotter Pin (3 Required)	Included in Kit A
27	Trip Rod	71-P50478
28	Nozzle Retainer	71-105943
29	GNS-3003T Nozzle Set	L003003
35	Spring, Red (8 Required)	71-P51165
36	Pressure Port Plug (1/4", 17mm Hex)	71-P20006
37	Spoon Bracket	71-P51099
38	Glycerin Filled Pressure Gauge (not shown)	71-P00080
Accessories		
30	2" Female BSP Adapter	71-P50545
31	2" Female NPT Adapter	71-P50596
32	Bearing Wrench	71-P50697
33	Riser Installation Kit	71-P50368
34	Rear Counterweight	L00270
Spare Parts Kit		
A	Misc. Kit	71-P50590
B	Arm Shaft Kit	71-P50591



Specifications (For Specifiers)

The full circle or part circle impulse drive sprinkler shall be a single nozzle type, capable of covering _____ (feet/meters) radius, at _____ (PSI/bars) with a discharge rate of _____ (GPM/M3H). The sprinkler body and bearing sleeve shall be of heat treated, cast aluminum.

Straightening vanes shall be integral to the body. The sprinkler arm, springs, fulcrum shafts, and trip mechanisms shall be stainless steel. All trip mechanisms shall be reinforced with stainless steel washers and cotter pins. The drive nozzle trajectory shall be 23 degrees from horizontal.

The rotation of the sprinkler shall be accomplished by a spring loaded, stainless steel vertical oscillating arm, actuated by the outlet water stream. The part circle models shall have a slow-reverse feature for reduced vibration and greater safety. A stainless steel spoon bracket assembly can be adjusted to increase or decrease rotation speed.

The nozzle and spoon assembly shall be durable, chemically resistant plastic and shall be easily replaceable. A set of six metric sized, taper bore nozzles shall be included with the gun - 14, 16, 18, 20, 22, & 24 mm (.55, .63, .71, .79, .87, .94 inches). The nozzle size shall be molded into the plastic for easy identification.

The bearing assembly shall be permanently sealed and packed 70% with a wide temperature range, water resistant silicone grease. The brake mechanism will be spring loaded and self-adjusting.

On part circle models, adjustable friction collars will be supplied to set arc adjustments without the use of tools, and the bearing assembly will be marked in ten degree increments to facilitate adjustments.

The F3002 shall be for full circle operation only. The SR3003 shall have adjustable part circle or full circle operation.

The sprinkler shall have six hole flange inlets, and a 2 mm (.08") neoprene gasket and bolt kit shall be supplied with the gun.

An optional (NPT/BSP) flange adapter will be supplied to adapt the flange inlet to a (2" /50 mm) female inlet.

The sprinkler shall carry a three year warranty against original defects in material or workmanship in agricultural applications. The sprinkler shall be supplied by Rain Bird Sprinkler Mfg. Corp., Glendora, California.

Rain Gun Warranty

Agricultural Applications

- Our latest generation of Rain Guns is built on a legacy of knowledge, trust, and feedback from end users. Our warranty is simple and in line with Rain Bird's reputation as the most reliable agricultural sprinkler manufacturer in the world. To back up our claim, we offer the best warranty in the agriculture industry. For all agricultural applications, we offer a three-year, no questions asked warranty including free service or parts replacement. Product replacement, full credit, or return in lieu of spare parts or service is at Rain Bird's discretion upon approval. Approval may include product testing.

Non-agricultural Applications

- We understand that Rain Guns are often utilized in applications that may be more demanding than general agricultural applications. In these circumstances, Rain Bird offers an eighteen month warranty including free service or parts replacement, but excludes coverage in the following general applications or environments:
 - Electrolytic conditions, such as high salt environments or salt water spray applications
 - Applications where environmental conditions are not compatible with the materials used in Rain Guns
 - Caustic or corrosive chemical conditions or spray applications
 - Abrasive fluid spray applications

Rain Bird Corporation Agri-Products Division

633 W. Foothill Blvd.
Glendora, CA 91741-2469
Phone: (800) 435-5624
Fax: (626) 852-7310

Rain Bird International, Inc.

145 N. Grand Ave.
Glendora, CA 91741-2469
Phone: (626) 963-9311
Fax: (626) 963-4287

1-800-HELLO-AG
6am-6pm MST M-F
www.rainbird.com

® Registered Trademark of Rain Bird Corporation
© 2003 Rain Bird Corporation 2/03